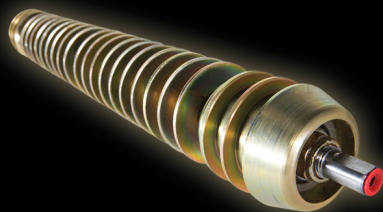


# Keep Green Reference Golf Guide



High quality parts, exceptional support.





# The parts counter has never been closer.



With JDParts, convenience is the name of the game. When you're in need of a part or component, simply log on and place your order. You'll be surprised how fast your order will be ready for pick-up – in most cases the very next day. For added convenience, you can also have certain products\* shipped right to your business.

JDParts gives you access to the parts you need, right now. Get back to work sooner – check out [JDParts.JohnDeere.com](http://JDParts.JohnDeere.com) today!

\* Some shipping restrictions apply. See your John Deere dealer for more details.

[JDParts.JohnDeere.com](http://JDParts.JohnDeere.com)

## Learn how using genuine parts gives you an edge.

Look into the details and you'll find that what appear to be less expensive imitation parts usually end up costing more in the long run. "Will-fit" parts could require more adjustment and grinding, and the extra time spent maintaining (and replacing) them could add up to more downtime and lost productivity for you and your crew.

Since genuine John Deere service parts are designed and manufactured with the same attention to quality as the machines they are installed on, they will maximize your efficiency and keep your course looking sharp.

## Reel strength



### JOHN DEERE REELS

John Deere reels are machined to hold their edge, resist becoming “cone-shaped” and have greater impact resistance.

Our blade material is an AISI chrome alloy steel that is cold-rolled, formed and welded robotically into the reel assembly. And our specs for edge retention and hardenability are superior to those of regular mill-run steels using induction heat treatment hardening. (The lack of uniform hardness in lower quality steel reduces the effectiveness of heat-treating and results in more frequent grinding to maintain a sharp edge.)

**Machined for precision**



**JOHN DEERE PRECISION TINE SERIES**

The next generation of tines has arrived. Our expanded lineup of quality tines offers precise core integrity and hole depth. Includes 3 tiers covering greens, tees, roughs, and fairways, so you'll get the precise tine for your application.

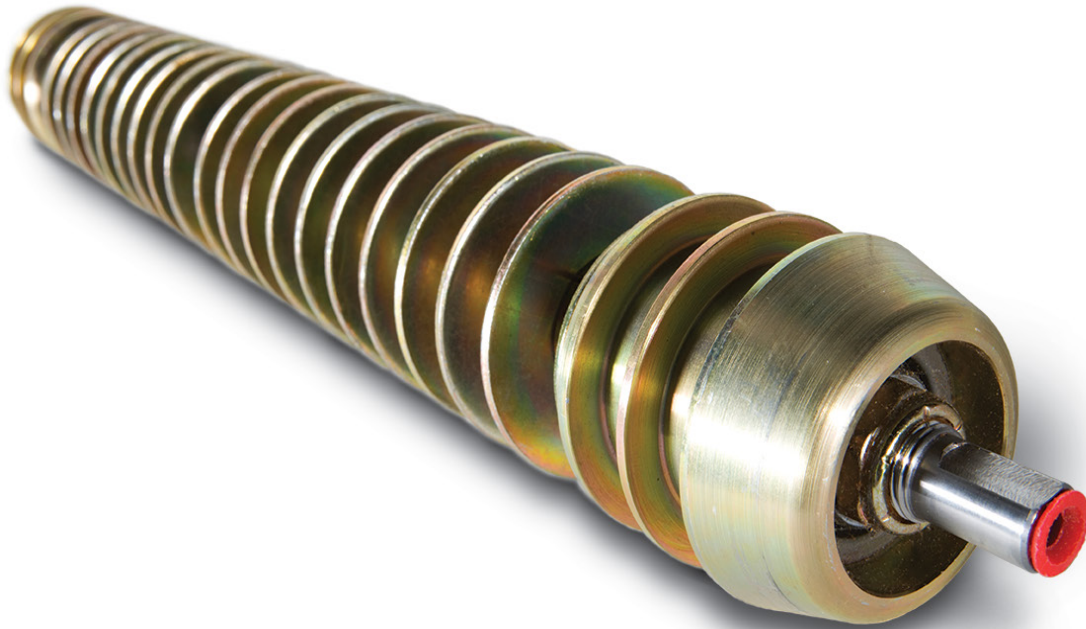
Made to match.



## JOHN DEERE BEDKNIVES

John Deere bedknives hold their edge. Constructed of high-carbon, Austempered alloy steel, our knives have higher impact resistance, yield and tensile strength. Plus, they precisely match the tolerances of our reels, with mounting holes designed specifically for this application.

Error free.



## JOHN DEERE ROLLERS

John Deere rollers are machined to provide the truest cutting height. And the benefits don't stop there.

Our 3" rollers have greaseable, double-sealed bearing assemblies, and our 2" rollers use integral shaft greaseable bearings that assure reliability. We also offer unique "spiral" rollers that "rough up" the turf, producing a smoother cut and creating a sweeping action that prevents roller buildup and keeps grass from clumping.

## Golf and Turf Parts

### GREENS MOWERS

180C / 220C / 260C Greens Mowers	8
180SL / 220SL / 260SL PrecisionCut™ Greens Mowers	9
180 E-Cut™ Greens Mower	11
180 E-Cut™ FTC and GTF	12
180 E-Cut™ Cutting Unit	13
220 E-Cut™ Hybrid Greens Mower	14
220 E-Cut™ Hybrid FTC and GTC	15
220 E-Cut™ Hybrid Cutting Unit	16
2500B PrecisionCut™ /2500E E-Cut™ Hybrid Riding Greens Mowers	17
2500B / 2500E Hybrid 22 in. QA5 Cutting Unit	18
2500B / 2500E Hybrid 22 in. Rollers and Cutting Unit	19
2500B / 2500E Hybrid 22 in. GTC & Power Brush	20
2500B / 2500E Hybrid 22 in. Vertical Cutting Unit	21

### ROUGH, INTERMEDIATES AND SURROUNDS MOWERS

7200A PrecisionCut™ Trim and Surrounds Mower	22
7200A PrecisionCut™ Reel Cutting Unit	24
7200A PrecisionCut™ Cutting Unit, FTC, Rear Brush and Grass Catcher	25
7200A PrecisionCut™ Cutting Unit Rollers and Scrapers	26
7200 PrecisionCut™ Trim and Surrounds Mower	27
7200 PrecisionCut™ Reel Cutting Unit	29
7200 PrecisionCut™ Cutting Unit, FTC, Rear Brush and Grass Catcher	30
7200 PrecisionCut™ Cutting Unit Rollers and Scrapers	31
7400A TerrainCut™ Trim and Surrounds Mower	32
7400A TerrainCut™ Rotary Deck	33
7400 TerrainCut™ Trim and Surrounds Mower	34
7400 TerrainCut™ Rotary Deck	35
8800A TerrainCut™ Mower	36
8800A TerrainCut™ Rotary Deck	37
8800 TerrainCut™ Mower	38
8800 TerrainCut™ Rotary Deck	39
2653B PrecisionCut™ Trim and Surrounds Mower	41
2653B PrecisionCut™ 26 in. & 30 in. QA7 Reels and Bedknives	42
2653B PrecisionCut™ 26 in. & 30 in. ESP Cutting Unit	43
1600 Turbo / 1600 Turbo Series II Wide Area Mower	44
62" Front-Mount, Rear Discharge Deck 1600 Turbo/1600 Turbo Series II	45
42" Left & Right Side Wing Decks 1600 Turbo/1600 Turbo Series II	46

### FAIRWAY MOWERS

7500A / 7700A / 8500A / 8700A PrecisionCut™ Mowers	47
7500A PrecisionCut™ Cutting Unit Rollers	48
7500A PrecisionCut™ Reel Cutting Unit	50
7500A PrecisionCut™ Vertical Cutting Unit	51
7500A PrecisionCut™ FTC, Rear Brush and Grass Catcher	52
7700A / 8700A PrecisionCut™ Reel Cutting Unit	53
7700A / 8700A PrecisionCut™ Cutting Unit Rollers	54
7700A / 8700A PrecisionCut™ FTC, Rear Brush and Grass Catcher	55
7700A / 8700A PrecisionCut™ Vertical Cutting Unit	56
7500 / 7700 / 8500 / 8700 PrecisionCut™ Mower	57
7500 / 8500 PrecisionCut™ Reel Cutting Unit	58
7500 / 8500 PrecisionCut™ Vertical Cutting Unit	60
7500 / 8500 PrecisionCut™ Cutting Unit Rollers	62
7500 / 8500 PrecisionCut™ FTC / Rear Brush / Grass Catcher	64
7500 / 8500 PrecisionCut™ Fairway Tender Conditioner	65
7700 / 8700 PrecisionCut™ Vertical Cutting Unit	66
7700 / 8700 PrecisionCut™ Cutting Unit Rollers	68
7700 / 8700 PrecisionCut™ FTC / Rear Brush / Grass Catcher	69
7700 / 8700 PrecisionCut™ Fairway Tender Conditioner	65

## **E-CUT HYBRID FAIRWAY MOWERS**

8000A E-Cut™ Hybrid Fairway Mower	72
8000A E-Cut™ Hybrid Reel Cutting Unit	73
8000A E-Cut™ Hybrid Cutting Unit Rollers	74
8000A E-Cut™ Hybrid FTC, Rear Brush and Grass Catcher	75
8000 E-Cut™ Hybrid Fairway Mower	76
8000 E-Cut™ Hybrid Reel Cutting Unit	77
8000 E-Cut™ Hybrid Cutting Unit Rollers	78
8000 E-Cut™ Hybrid FTC, Rear Brush and Grass Catcher	79
7500A E-Cut™ Hybrid Fairway Mowers	80
7500A E-Cut™ Hybrid Reel Cutting Unit	81
7500A E-Cut™ Hybrid Cutting Unit Rollers	82
7500A E-Cut™ Hybrid FTC, Rear Brush and Grass Catcher	83
7500/8500 E-Cut™ Hybrid Fairway Mowers	84
7500/8500 E-Cut™ Hybrid Reel Cutting Unit	85
7500/8500 E-Cut™ Hybrid Cutting Unit Rollers	86
7500/8500 E-Cut™ Hybrid FTC, Rear Brush and Grass Catcher	87

## **AERATION AND DEBRIS MAINTENANCE**

1200A Bunker and Field Rake	88
1200 Hydro Rake	90
800 Aercore™ Aerator	92
1000 / 1500 / 2000 Aercore Aerators	94
TC125 Turf Collection System	96

## **COMPACT UTILITY TRACTORS**

3203 Compact Utility Tractor	97
3033R Compact Utility Tractor	98
3039R Compact Utility Tractor	100
3046R Compact Utility Tractor	102
3120 / 3320 / 3520 / 3720 Compact Utility Tractors	104
3005 Compact Utility Tractor	105
4044M Compact Utility Tractor	106
4052M Compact Utility Tractor	108
4066M Compact Utility Tractor	110
4044R Compact Utility Tractor	112
4052R Compact Utility Tractor	114
4066R Compact Utility Tractor	116
4005 Compact Utility Tractor	118
4120 / 4320 / 4520 / 4720 Compact Utility Tractors	119

## **UTILITY TRACTORS**

5045D / 5055D / 5045E / 5055E / 5065E / 5075E Utility Tractors	120
--	-----

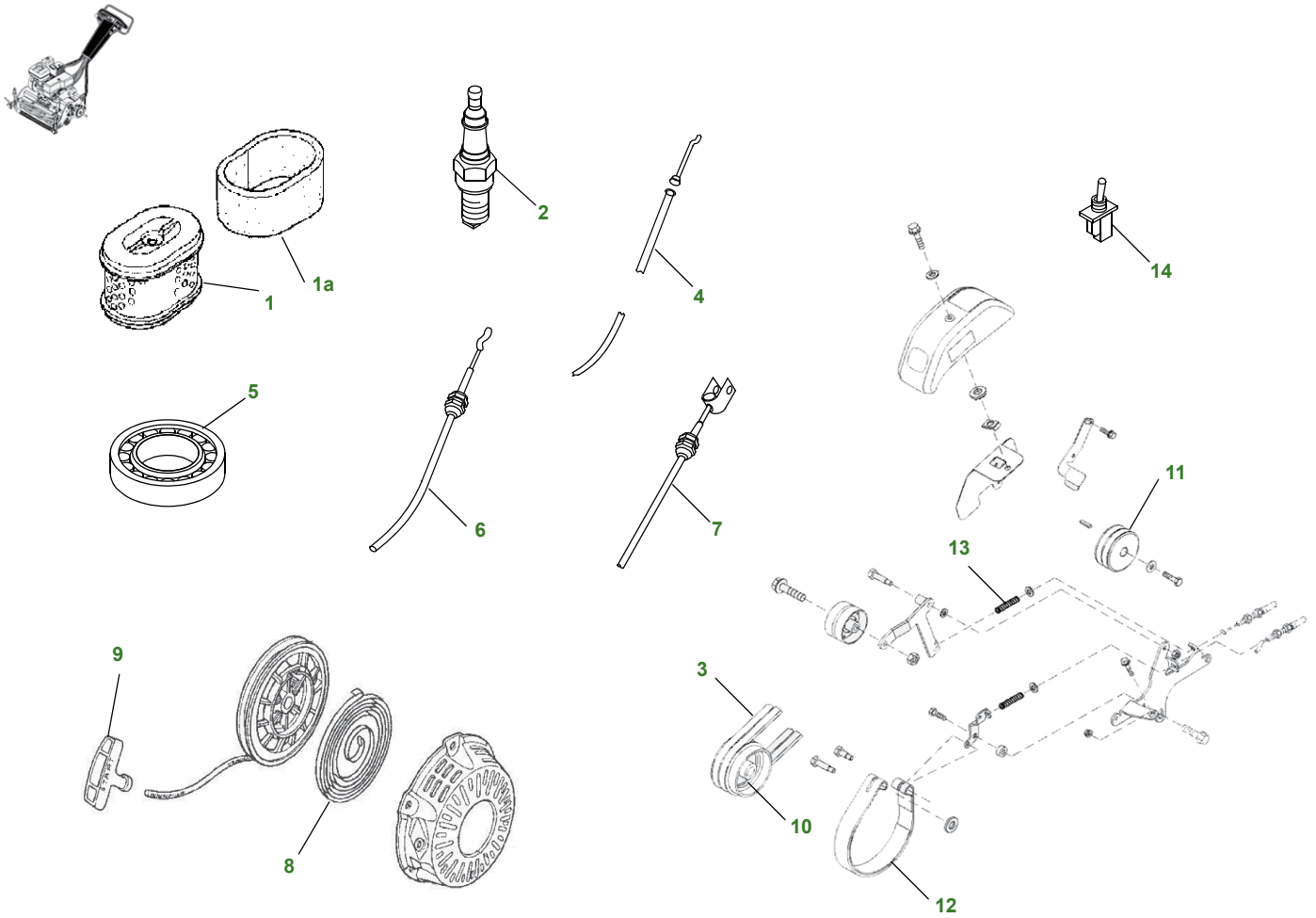
## **UTILITY VEHICLES**

Gator™ TE	122
Gator TX Turf	123
ProGator™ 2020A / 2030A	124
HD200 / HD300 SelectSpray™	126

## **LUBRICATION AND MAINTENANCE**

Lubrication / Maintenance (Application Chart)	132
Lubrication / Maintenance (Part Number Listing)	135
Reels	137
Bedknives	139
Tines	140

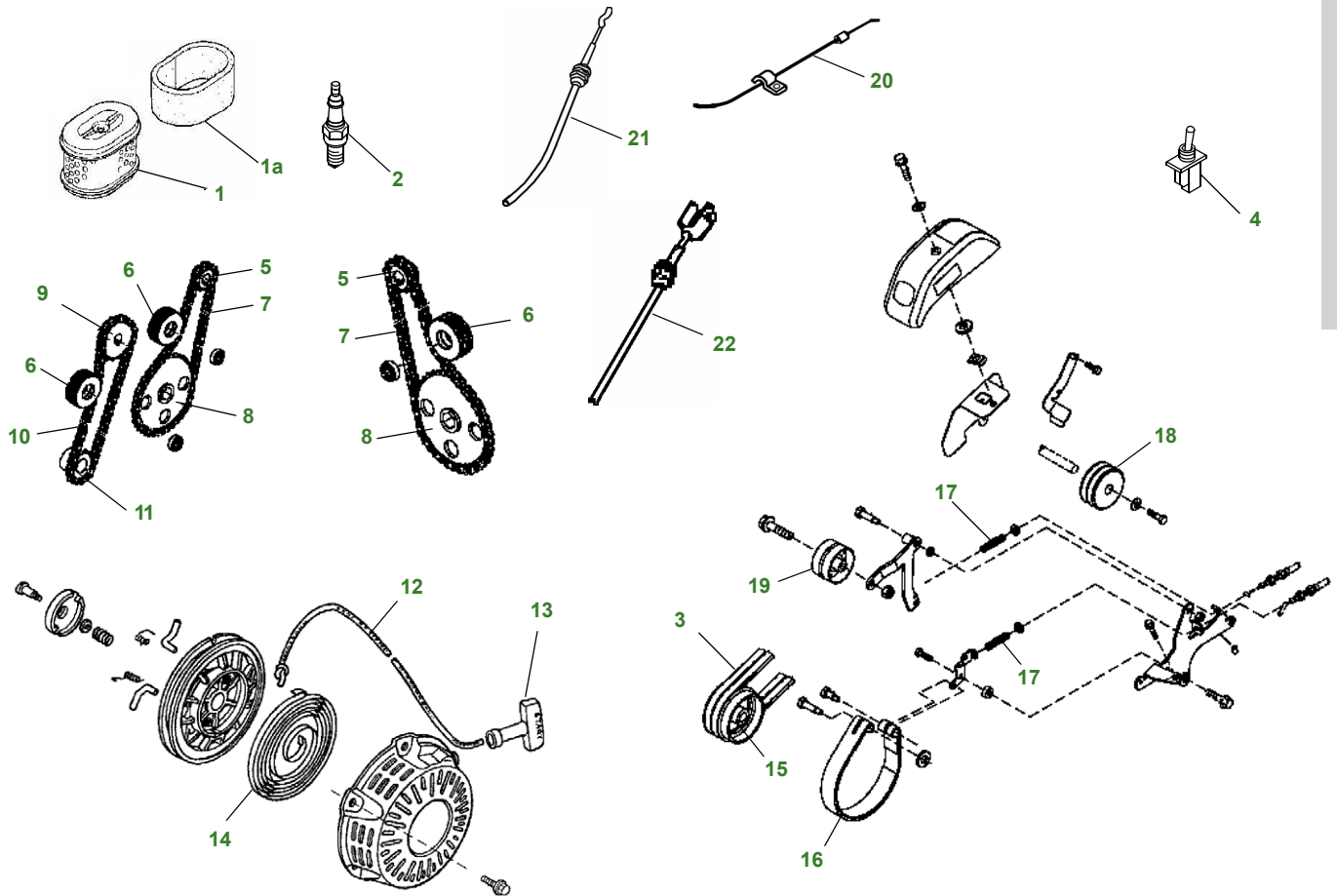
# 180C/220C/260C Walk Greens Mowers



Key	Part No.	Description	Key	Part No.	Description
1	AM123909	FILTER ELEMENT	8	M128283	SPRING
1a	MIU11464	OUTER FILTER	9	M128285	HANDLE
2	M128206	SPARK PLUG	10	MT1074	SHEAVE
3	AMT2800	BELT - SET OF 2	11	MT1066	PULLEY
4	AMT1680	PUSH PULL CABLE	12	AMT820	BRAKE BAND
5	JD10181	BEARING - CHAIN DRIVE	13	MT1200	COMPRESSION SPRING
6	AMT2742	BRAKE CABLE	14	AT106154	TOGGLE SWITCH
7	AMT2741	CLUTCH CABLE			

Qty	Part No.	Item	Capacity	Interval In Hours
4	TY26811	1 qt Plus 4 10W30 Engine Oil	.6 qt	20/50/100/150/200/250
1	TY6354	1 gal Hygard Trans Oil	.65 pt	50
3	TY6333	Moly High Temp EP Grease (14 oz)		As Needed

# 180SL / 220SL / 260SL PrecisionCut™ Walk Greens Mowers



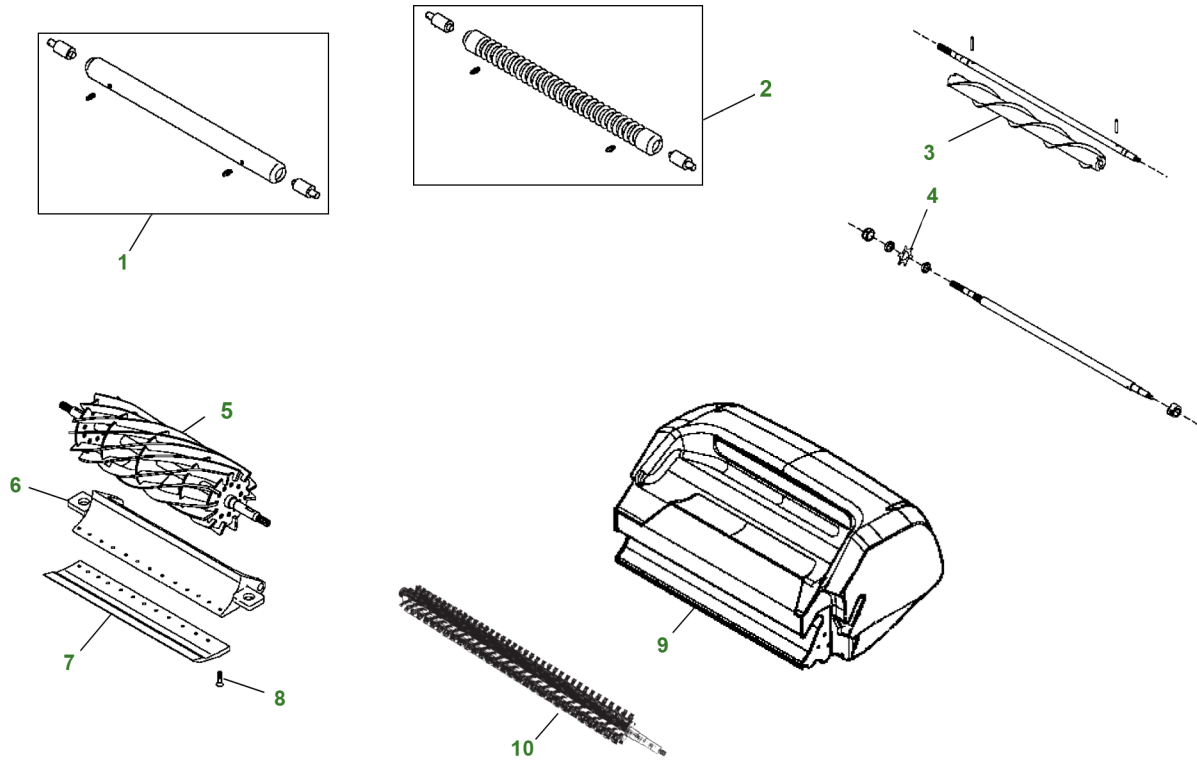
Key	Part No.	Description	Key	Part No.	Description
1	AM123909	AIR FILTER - SECONDARY	12	M128286	ROPE
1a	MIU11464	AIR FILTER - PRIMARY	13	M128285	HANDLE
2	M128206	SPARK PLUG	14	M128283	SPRING
3	AMT2800	BELT SET - DRIVE	15	MT7333	PULLEY
4	AT106154	TOGGLE SWITCH	16	AMT820	BRAKE BAND
5	TCU22960	DRIVER CHAIN SPROCKET - 11T	17	MT1200	COMPRESSION SPRING
6	AMT2863	IDLER (INCLUDES BEARING)	18	MT7332	PULLEY
7	TCA16595	ROLLER CHAIN - LEFT AND RIGHT	19	AMT758	BELT IDLER
8	AMT2905	SPROCKET - REAR ROLLER - 37T	20	AMT1680	THROTTLE CABLE
9	TCU22961	SPROCKET - DRIVER CHAIN - 20T	21	AMT2742	BRAKE CABLE
10	TCA16596	ROLLER CHAIN - LEFT	22	AMT2741	CLUTCH CABLE
11	TCU22962	SPROCKET - REEL - 16T			

### Parts Needed in First 250 hours of Operation

Qty	Part No.	Item	Capacity	Interval In Hours
4	TY22029	TURF-GARD™ 10W-30 Engine Oil - 1 qt	.6 qt	20/50/100/150/200/250
1	TY6354	Hy-Gard™ Trans Oil - 1 gal	.3 pt	50
1	TY6341	Multi Purpose SD Polyurea Grease (14 oz) (Machine components, lift arms and rollers)		As Needed
3	TY25083	John Deere Special Purpose Golf & Turf Cutting Unit Grease (14 oz) (Cutting Unit and Cutting Unit Attachments)		As Needed

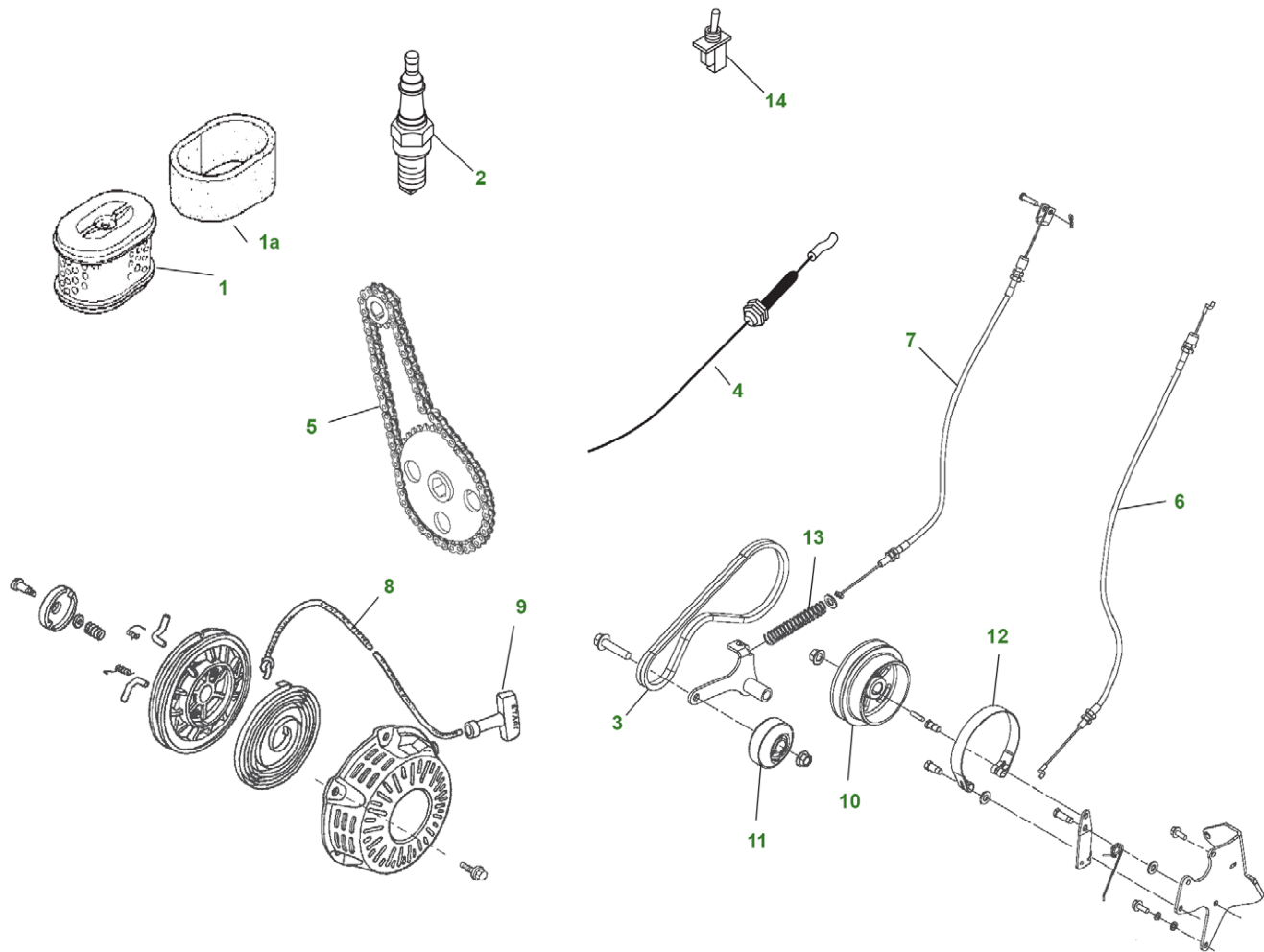
\*Refer to Operators Manual for service intervals if using Bio Hy-Gard.

# 180SL / 220SL / 260SL PrecisionCut™ Walk Greens Mowers (Continued)



Key	Part No.	Description	Key	Part No.	Description
<b>ROLLER</b>			<b>BEDKNIFE</b>		
1	AMT2981	ROLLER - SMOOTH SOLID 180SL	7	MT4846	BEDKNIFE - 2.5 mm TOURNAMENT - 180SL
	TCA19656	ROLLER - SMOOTH HOLLOW 180SL		MT7350	BEDKNIFE - LOW-CUT - 180SL
	BM18711	ROLLER - SMOOTH SOLID 220SL		TCU25299	BEDKNIFE - FAIRWAY - 180SL
	BM24204	ROLLER - SMOOTH HOLLOW 220SL		TCU31422	BEDKNIFE - FAIRWAY HIGH-CUT - 180SL
	AMT2982	ROLLER - SMOOTH SOLID 260SL		TCU36878	BEDKNIFE - HARDENED LESS AGGRESSIVE LOW-CUT - 180SL
2	AMT2979	ROLLER - GROOVED 180SL		ET17533	BEDKNIFE - STANDARD - 220SL
	BM18712	ROLLER - GROOVED 220SL		ET11066	BEDKNIFE - 3.0 mm W/ HARDENED INSERT - 220 SL
	AMT2980	ROLLER - GROOVED 260SL		ET17534	BEDKNIFE - TOURNAMENT - 220SL
3	AMT2811	BRUSH - 180SL		MT7351	BEDKNIFE - LOW-CUT - 220SL
	AMT1343	BRUSH - 220SL		ET17532	BEDKNIFE - FAIRWAY LOW-CUT - 220SL
	AMT2813	BRUSH - 260SL		ET17767	BEDKNIFE - FAIRWAY HIGH-CUT - 220SL
4	ET14707	KNIFE - VERTICAL CUTTING UNIT 180SL (60)		TCU36165	BEDKNIFE - HARDENED LESS AGGRESSIVE LOW-CUT - 220SL
	ET14707	KNIFE - VERTICAL CUTTING UNIT 220SL (75)		TCU31428	BEDKNIFE - TOURNAMENT - 260SL
	ET14707	KNIFE - VERTICAL CUTTING UNIT 260SL (88)		MT6947	BEDKNIFE - STANDARD - 260SL
<b>REEL</b>				MT6946	BEDKNIFE - FAIRWAY - 260SL
5	AMT2904	REEL - 11-BLADE - 180SL	8	21M7194	SCREW - BEDKNIFE - 180SL (11)
	AMT2886	REEL - 11-BLADE - 220SL		21M7194	SCREW - BEDKNIFE - 220SL (13)
	AMT2898	REEL - 11-BLADE - 260SL		21M7194	SCREW - BEDKNIFE - 260SL (15)
	AMT2903	REEL - 7-BLADE - 260SL	9	TCU28206	GRASS CATCHER - 180SL
	TCA23624	REEL - 14-BLADE - 180SL		TCU28207	GRASS CATCHER - 220SL
	TCA23623	REEL - 14-BLADE - 220SL		TCU28208	GRASS CATCHER - 260SL
6	MT6997	SHOE - 180SL	10	BM24731	DT ROTARY TURF BRUSH - 180SL
	MT7314	SHOE - 220SL		BM24729	DT ROTARY TURF BRUSH - 220SL
	MT6979	SHOE - 260SL			

# 180 E-Cut™ Greens Mowers



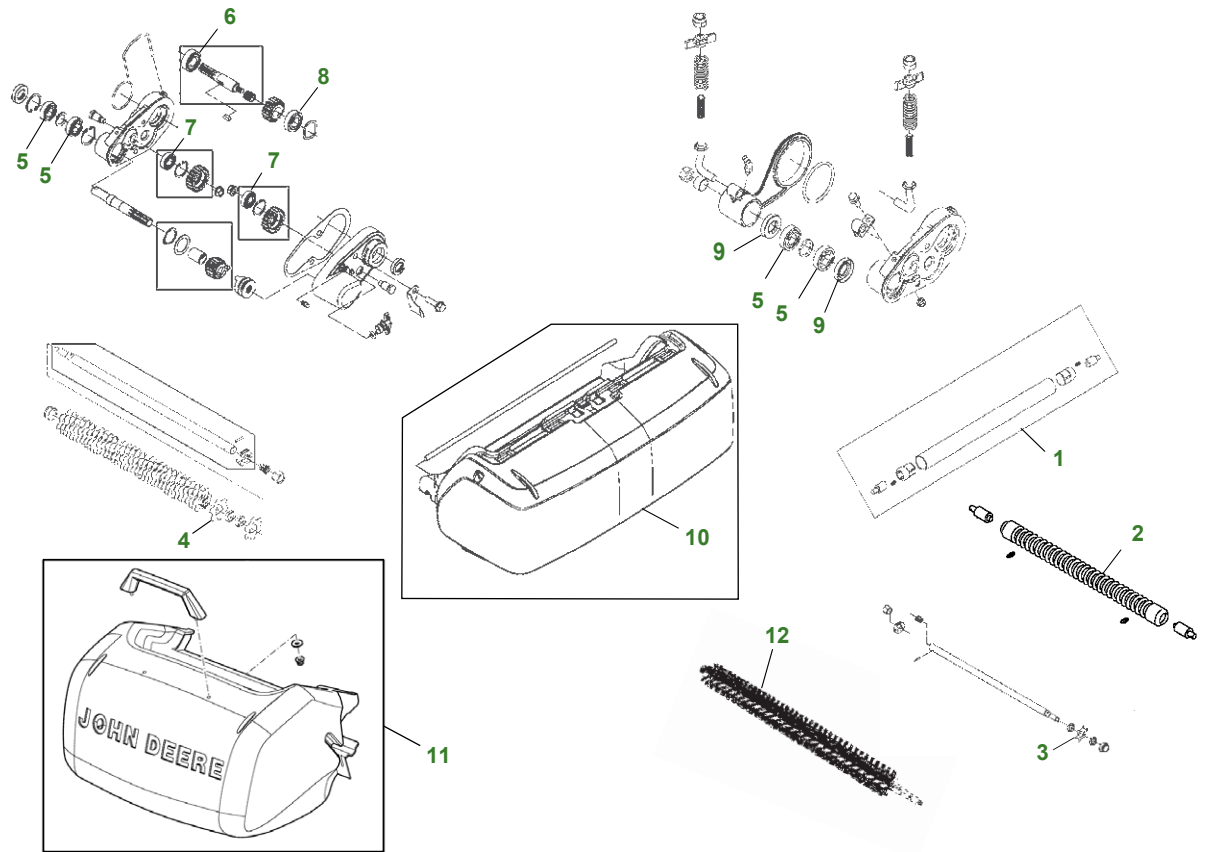
Key	Part No.	Description	Key	Part No.	Description
1	AM123909	AIR FILTER - SECONDARY	8	M128286	ROPE
1a	MIU11464	AIR FILTER - PRIMARY	9	M128285	HANDLE
2	M128206	SPARK PLUG	10	TCU24801	PULLEY
3	TCU25209	BELT - DRIVE	11	AMT758	BELT IDLER
4	AMT1680	PUSH PULL CABLE - THROTTLE	12	AMT820	BRAKE BAND
5	TCA16595	CHAIN DRIVE	13	MT1200	COMPRESSION SPRING
6	TCA18547	BRAKE CABLE	14	AT106154	TOGGLE SWITCH
7	TCA18548	CLUTCH CABLE			

### Parts Needed in First 250 hours of Operation

Qty	Part No.	Item	Capacity	Interval In Hours
4	TY22029	TURF-GARD™ 10W-30 Engine Oil - 1 qt	.6 qt	20/50/100/150/200/250
1	TY6354	Hy-Gard™ Trans Oil - 1 gal	.3 pt	50
1	TY6341	Multi Purpose SD Polyurea Grease (14 oz)		As Needed
3	TY25083	John Deere Special Purpose Golf & Turf Cutting Unit Grease (14 oz) (Cutting Unit and Cutting Unit Attachments)		As Needed

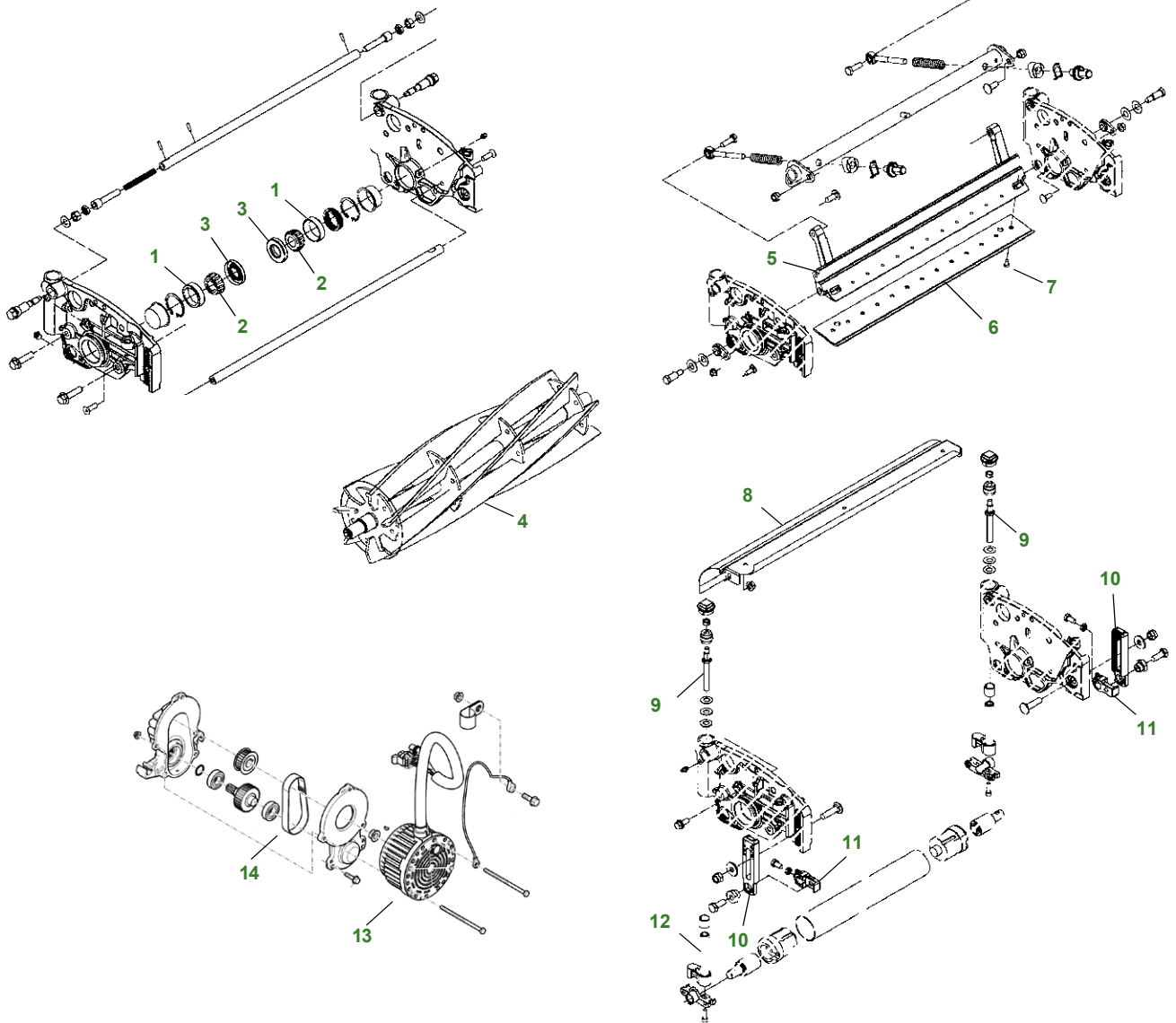
\*Refer to Operators Manual for service intervals if using Bio Hy-Gard.

# 180 E-Cut™ FTC and GTC



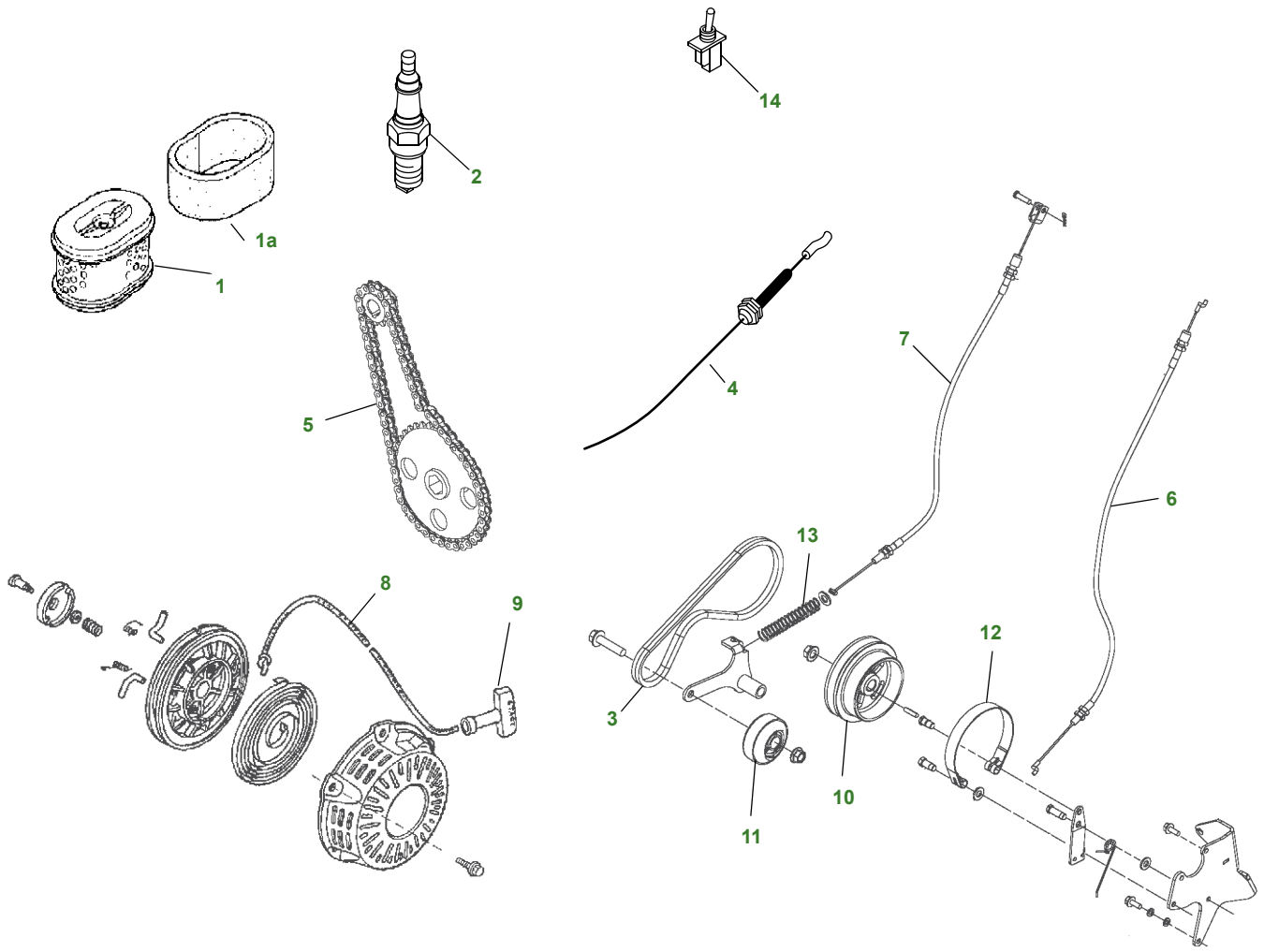
Key	Part No.	Description	Key	Part No.	Description
<b>ROLLER</b>					
1	TCA19656	ROLLER - SMOOTH - HOLLOW	6	M802355	BALL BEARING
	AMT2981	ROLLER - SMOOTH - SOLID	7	ET16027	BALL BEARING
2	AMT2979	MACHINED GROOVED SOLID WITH SOLID END CAPS	8	JD8653	BALL BEARING
3	ET14707	KNIFE - GREENS TENDER CONDITIONER	9	MT6828	SEAL
4	MT2624	KNIFE - FAIRWAY TENDER CONDITIONER	10	BTC10716	GRASS CATCHER - LOW PROFILE
5	TCU24834	BALL BEARING	11	BTC10629	GRASS CATCHER - DIRECT - MOUNT
			12	BM24732	DT ROTARY TURF BRUSH

# 180 E-Cut™ Cutting Unit



Key	Part No.	Description	Key	Part No.	Description
1	JD8226	.....BEARING CUP		TCU36878	.....BEDKNIFE - HARDENED LESS AGGRESSIVE LOW-CUT
2	JD8188	.....BEARING CONE	7	21M7194	.....SCREW
3	ET14566	.....SEAL	8	TCA18643	.....REEL SHIELD
4	TCA19348	.....REEL - 7-BLADE	9	TCU24328	.....ADJUSTER
	TCA19349	.....REEL - 11-BLADE	10	TCU24460	.....BRACKET
	TCA23622	.....REEL - 14-BLADE	11	TCU24461	.....BRACKET
5	TCU35967	.....SHOE	12	TCA18706	.....ADJUSTER
6	MT4846	.....BEDKNIFE - TOURNAMENT	13	TCA22939	.....MOTOR
	MT7350	.....BEDKNIFE - LOW-CUT	14	TCU33535	.....SYNCHRONOUS BELT
	TCU25299	.....BEDKNIFE - FAIRWAY			
	TCU31422	.....BEDKNIFE - FAIRWAY HI-CUT			

# 220 E-Cut™ Hybrid Greens Mowers



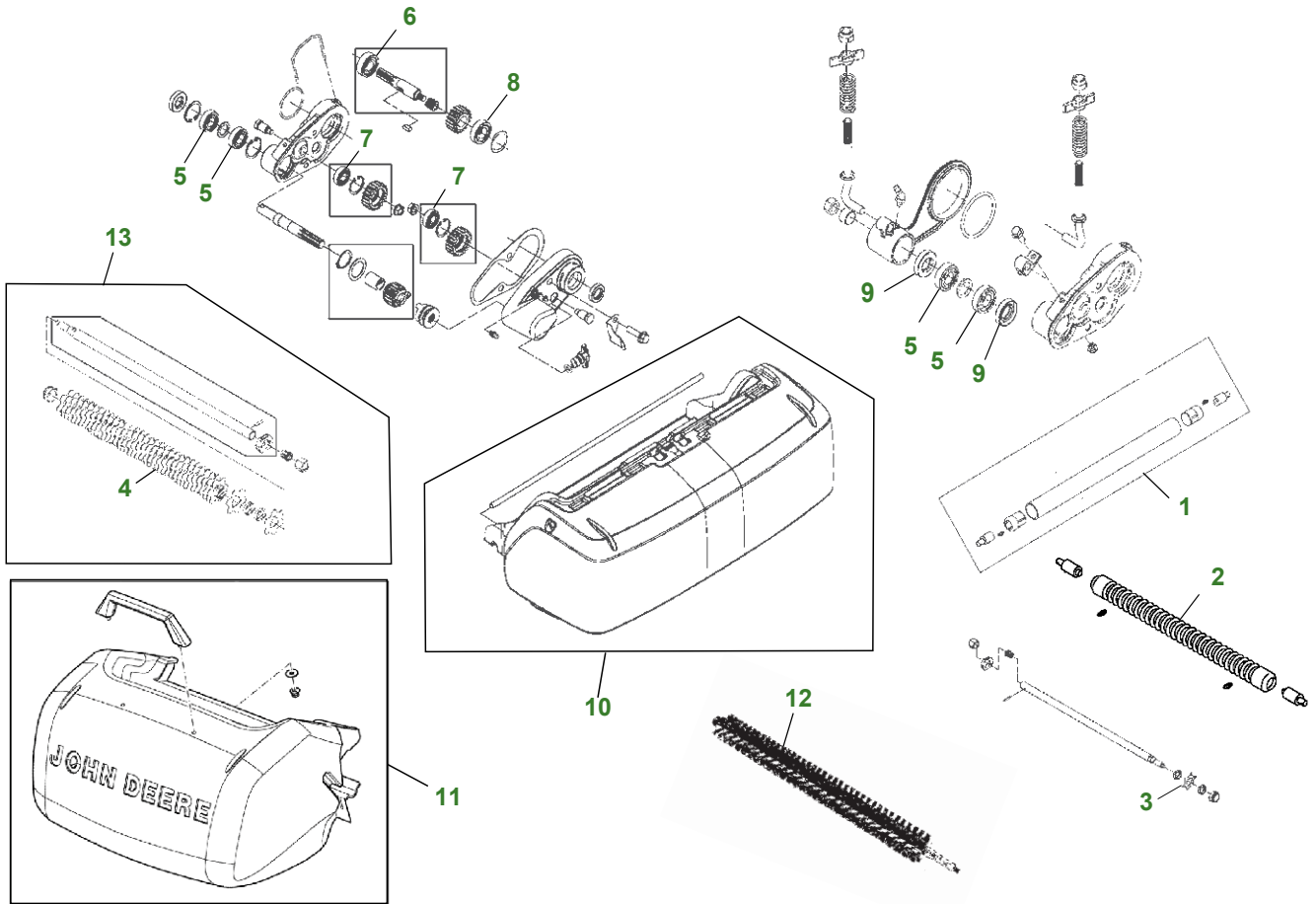
Key	Part No.	Description	Key	Part No.	Description
1	AM123909	AIR FILTER - SECONDARY	8	M128286	ROPE
1a	MIU11464	AIR FILTER - PRIMARY	9	M128285	HANDLE
2	M128206	SPARK PLUG	10	TCU24801	PULLEY
3	TCU25209	BELT - DRIVE	11	AMT758	BELT IDLER
4	AMT1680	PUSH PULL CABLE - THROTTLE	12	AMT820	BRAKE BAND
5	TCA16595	CHAIN DRIVE	13	MT1200	COMPRESSION SPRING
6	TCA18547	BRAKE CABLE	14	AT106154	TOGGLE SWITCH
7	TCA18548	CLUTCH CABLE			

### Parts Needed in First 250 hours of Operation

Qty	Part No.	Item	Capacity	Interval In Hours
4	TY22029	TURF-GARD™ 10W-30 Engine Oil - 1 qt	.6 qt	20/50/100/150/200/250
1	TY6354	Hy-Gard™ Trans Oil - 1 gal	.3 pt	50
1	TY6341	Multi Purpose SD Polyurea Grease (14 oz) (Machine components, lift arms and rollers)		As Needed
3	TY25083	John Deere Special Purpose Golf & Turf Cutting Unit Grease (14 oz) (Cutting Unit and Cutting Unit Attachments)		As Needed

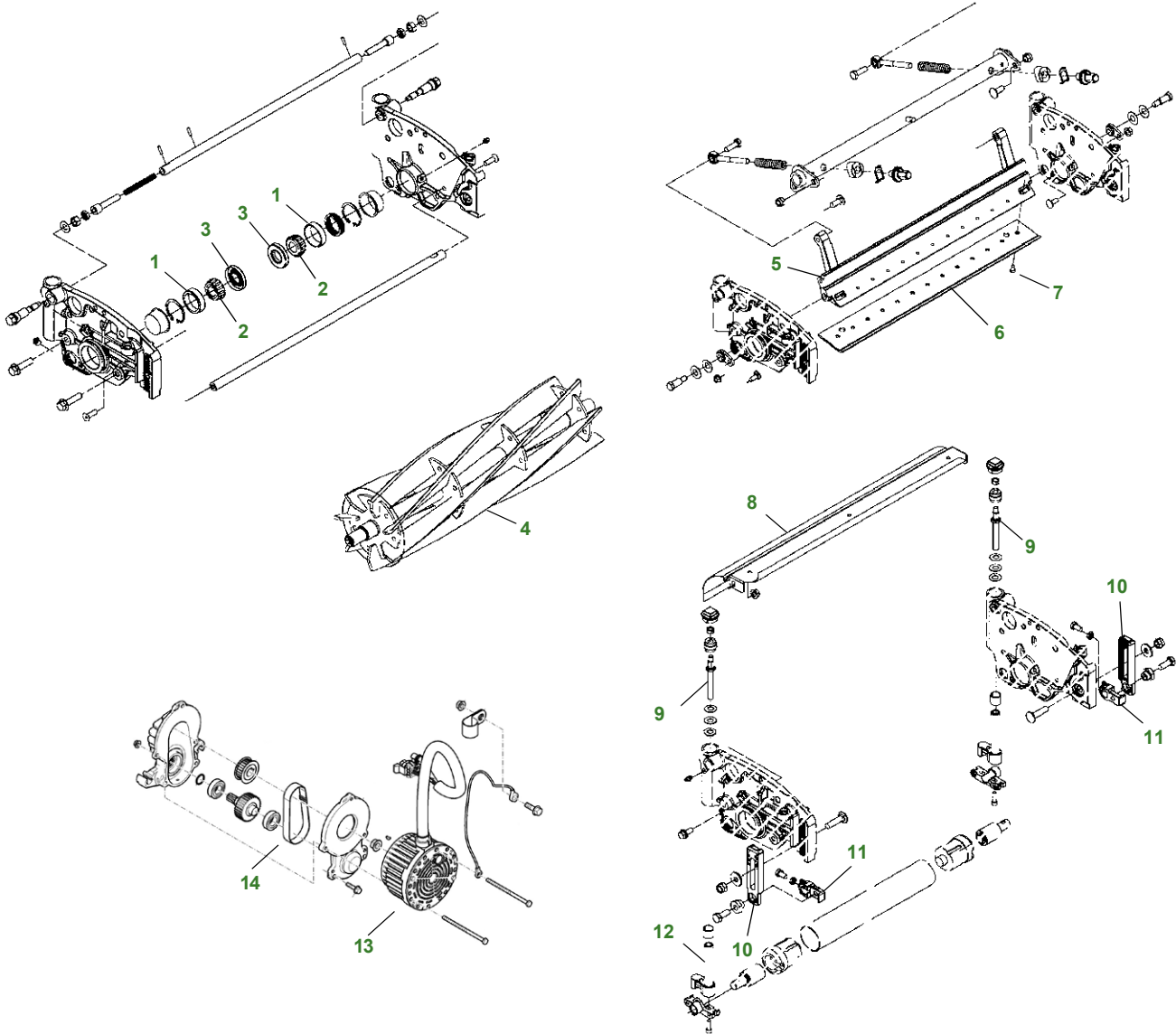
\*Refer to Operators Manual for service intervals if using Bio Hy-Gard.

# 220 E-Cut™ Hybrid FTC and GTC



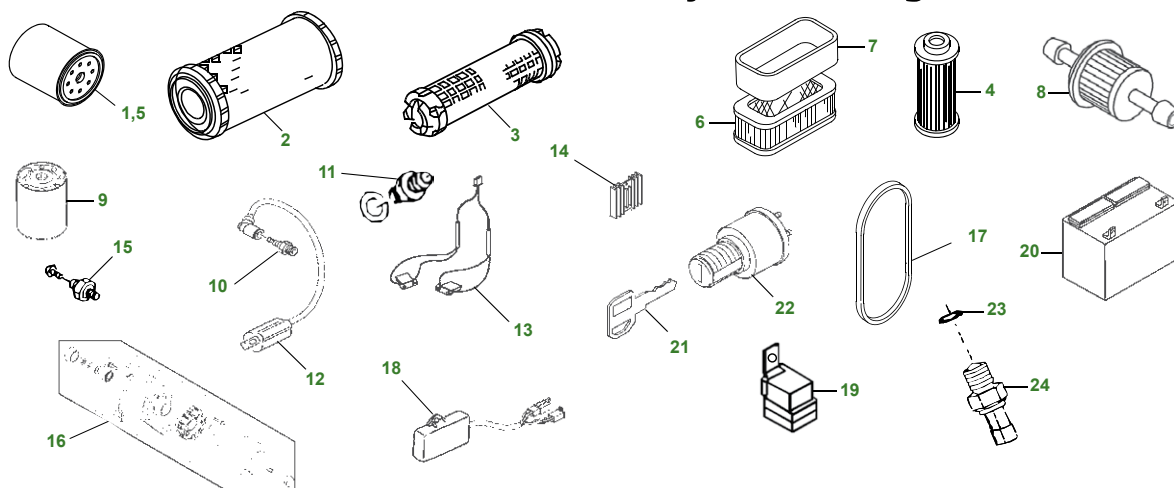
Key	Part No.	Description	Key	Part No.	Description
<b>ROLLER</b>					
1	AMT2876	ROLLER - SMOOTH	6	M802355	BALL BEARING
	AMT2878	ROLLER - SMOOTH - SOLID	7	ET16027	BALL BEARING
2	AMT2879	ROLLER - MACHINE GROOVED SOLID END CAPS	8	JD8653	BALL BEARING
3	ET14707	KNIFE - GREENS TENDER CONDITIONER	9	MT6828	SEAL
4	MT2624	KNIFE - FAIRWAY TENDER CONDITIONER	10	BTC10718	GRASS CATCHER - LOW PROFILE
5	TCU24834	BALL BEARING	11	BTC10630	GRASS CATCHER - DIRECT MOUNT
			12	BM24730	DT ROTARY TURF BRUSH
			13	BM22671	CONDITIONER - FAIRWAY TENDER

# 220 E-Cut™ Hybrid Cutting Unit



Key	Part No.	Description	Key	Part No.	Description
1	JD8226	.....BEARING CUP		TCU36165	.....BEDKNIFE - HARDENED LESS AGGRESSIVE LOW-CUT
2	JD8188	.....BEARING CONE	7	21M7194	.....SCREW
3	ET14566	.....SEAL	8	TCA19624	.....REEL SHIELD
4	TCA19350	.....REEL - 7-BLADE	9	TCU24328	.....ADJUSTER
	TCA19351	.....REEL - 11-BLADE	10	TCU24460	.....BRACKET
	TCA23621	.....REEL - 14-BLADE	11	TCU24461	.....BRACKET
5	TCU35968	.....SHOE	12	TCA18706	.....ADJUSTER
6	ET17767	.....BEDKNIFE - FAIRWAY HI-CUT	13	TCA22939	.....MOTOR
	ET17532	.....BEDKNIFE - FAIRWAY LOW-CUT	14	TCU33535	.....SYNCHRONOUS BELT
	ET11066	.....BEDKNIFE - GREENS 3.0 mm W/HARDENED INSERT			
	ET17534	.....BEDKNIFE - TOURNAMENT			
	MT7351	.....BEDKNIFE - LOW-CUT			
	ET17533	.....BEDKNIFE - STANDARD			

# 2500B PrecisonCut™ / 2500E E-Cut™ Hybrid Riding Greens Mowers



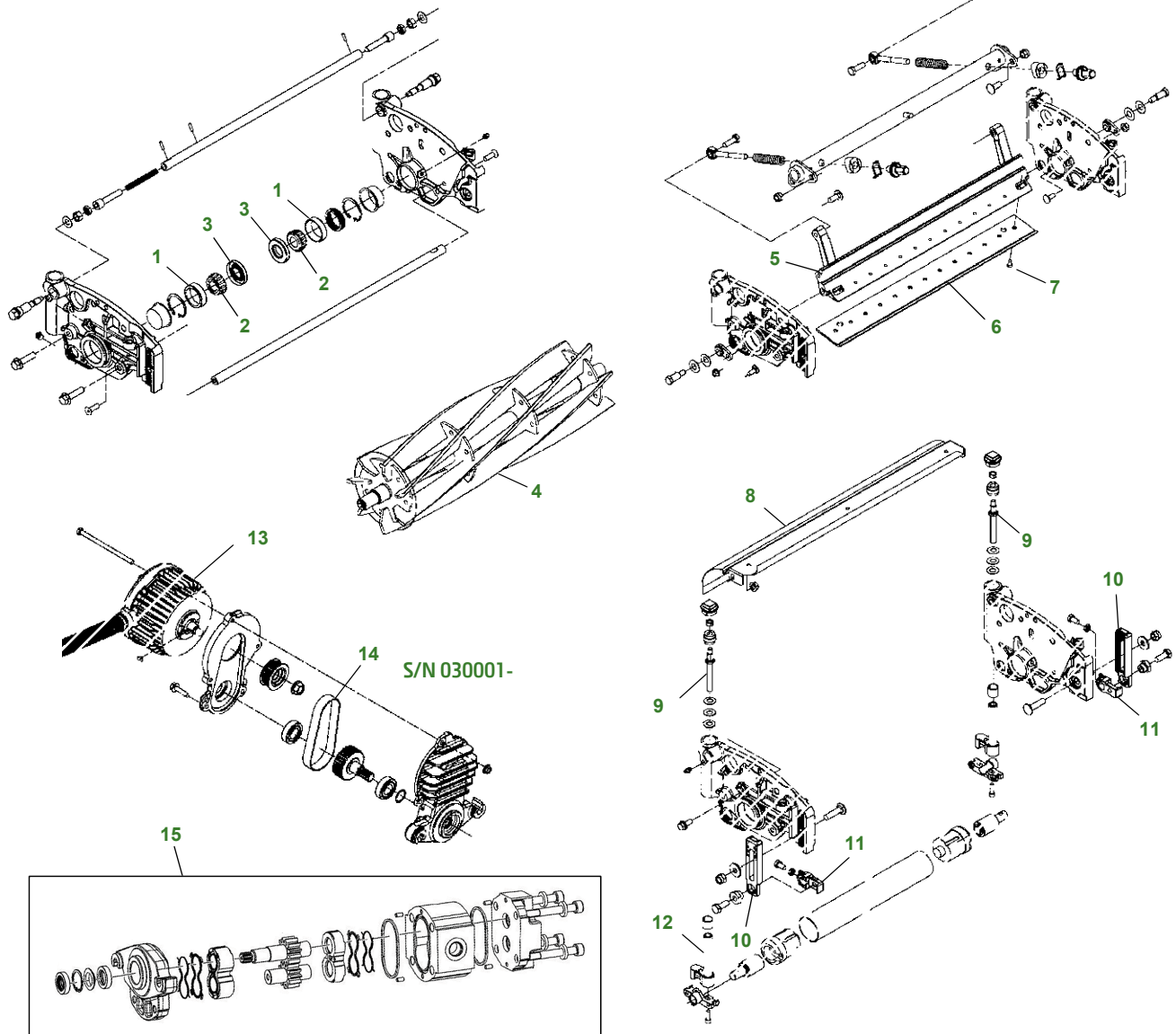
Key	Part No.	Description	Key	Part No.	Description
<b>GAS/DIESEL</b>					
1	M806418	.....OIL FILTER - DIESEL		M152192	.....OIL PRESSURE SWITCH - GAS
2	M113621	.....AIR FILTER - PRIMARY - DIESEL	16	AM879144	.....ALTERNATOR
3	M123378	.....AIR FILTER - SECONDARY - DIESEL	17	M97340	.....BELT - ALTERNATOR - 2500B GAS
4	M801101	.....FUEL FILTER - DIESEL		R81271	.....BELT - ALT - 2500B DIESEL (S/N -020000)
5	AM107423	.....OIL FILTER - GAS		LVU11659	.....BELT - ALT - 2500B DIESEL (S/N 020001-)
6	MIU11376	.....AIR FILTER - SECONDARY - PAPER - GAS		TCU21861	.....BELT - ALT - 2500E HYBRID GAS (S/N -050000)
7	M76076	.....AIR FILTER - PRIMARY - FOAM - GAS		TCU28728	.....BELT - ALT - 2500E HYBRID GAS (S/N 050001-)
8	AM116304	.....FUEL FILTER - GAS		TCU21286	.....BELT - ALT - 2500E HYBRID DIESEL (S/N -020000)
9	AM102723	.....HYDRAULIC FILTER		TCU24175	.....BELT - ALT - 2500E HYBRID DIESEL (S/N 020001-)
10	M805853	.....SPARK PLUG	18	AM105574	.....IGNITOR
	MIU13128	.....SPARK PLUG (ENGINE MARKED FD620D-LS22)	19	AM123716	.....RELAY
11	CH15516	.....WATER TEMP SWITCH - DIESEL	20	TY25876	.....BATTERY
	AM108952	.....WATER TEMP SWITCH - GAS	21	AM125504	.....KEY
12	AM120732	.....COIL	22	TCA22740	.....SWITCH
13	AM105573	.....COIL - PULSER	23	51M7042	.....O-RING
14	AM126304	.....REGULATOR	24	RE46534	.....SWITCH - MOW/LIFT
15	M809526	.....OIL PRESSURE SWITCH - DIESEL			

## Parts Needed in First 200 hours of Operation

Qty	Part No.	Item	Capacity	Interval In Hours
GAS MODELS				
3	AM107423	Engine Oil Filter		50/100/200
1	TY26797	Torq-Gard™ Supreme 10W-30 Engine Oil - 5 gal	1.9 qt	50/100/200
1	AM102723 or LVU14258	Hydraulic Filter		50
3	TY22062	Hy-Gard™ Trans Oil - J20C - 2 1/2 gal	7.6 gal	50
3	TY25083	John Deere Special Purpose Golf & Turf Cutting Unit Grease (14 oz) (Cutting Unit and Cutting Unit Attachments)		As Needed
1	TY6341	John Deere Multi-Purpose SD Polyurea Grease (14 oz) (Machine components, lift arms and rollers)		As Needed
DIESEL MODELS				
2	M806418	Engine Oil Filter		50/200
6	TY26669	Plus-50™ II 10W-30 Engine Oil - 1 qt	2.3 qt	50/200
1	AM102723 or LVU14258	Hydraulic Filter		50
3	TY22062	Hy-Gard™ Trans Oil - J20C - 2 1/2 gal	7.6 gal	50
3	TY25083	John Deere Special Purpose Golf & Turf Cutting Unit Grease (14 oz) (Cutting Unit and Cutting Unit Attachments)		As Needed
1	TY6341	John Deere Multi-Purpose SD Polyurea Grease (14 oz) (Machine components, lift arms and rollers)		As Needed

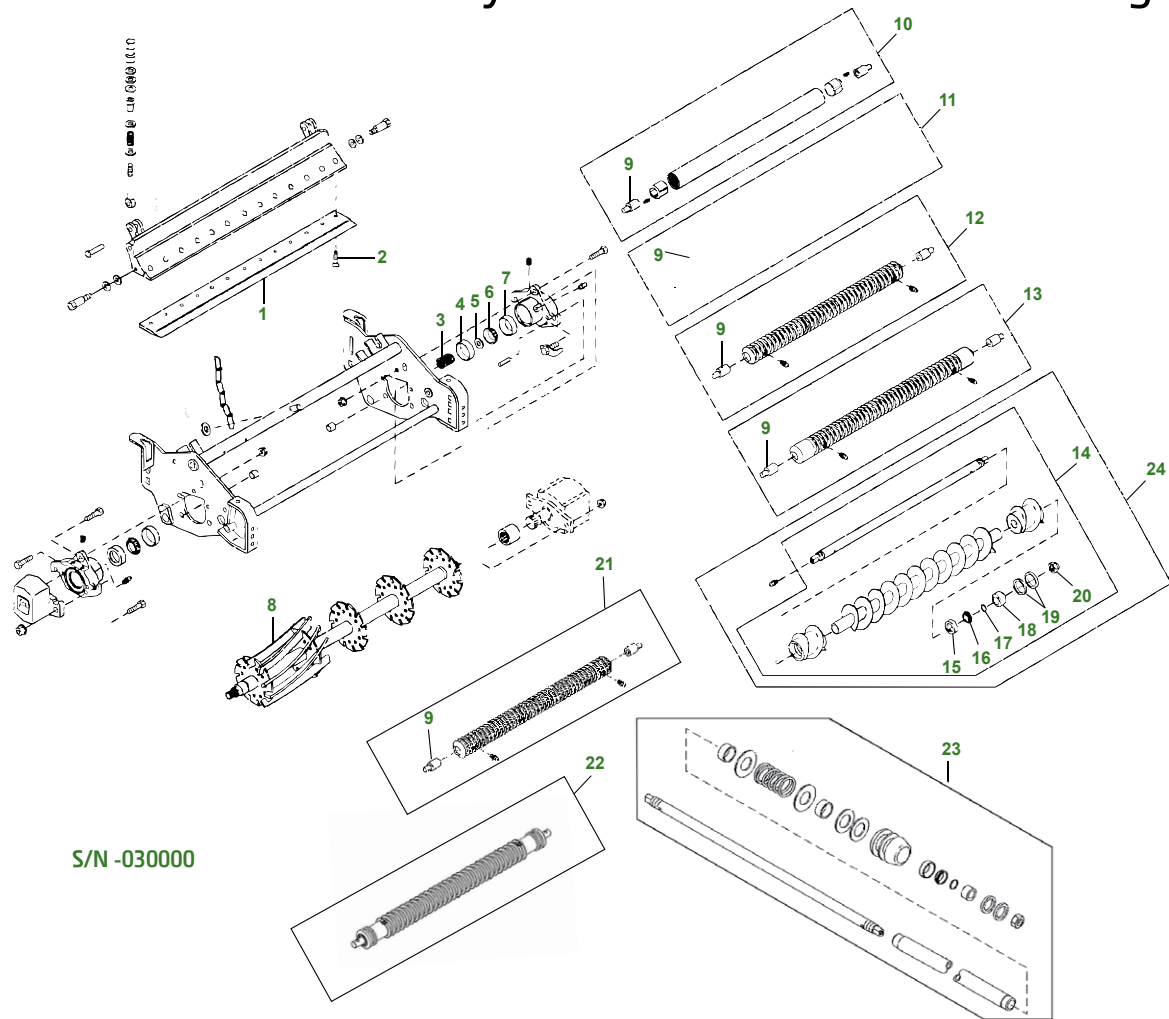
\*Refer to Operators Manual for service intervals if using BioDiesel Fuel and Bio Hy-Gard.

# 2500B / 2500E Hybrid 22 in. QA5 Cutting Unit



Key	Part No.	Description	Key	Part No.	Description
1	JD8226	BEARING CUP		TCU36165	BEDKNIFE - HARDENED LESS AGGRESSIVE LOW-CUT
2	JD8188	BEARING CONE	7	21M7194	SCREW
3	ET14566	SEAL	8	TCA19624	SHIELD
4	TCA19350	REEL - 7-BLADE	9	TCU24328	ADJUSTER
	TCA19351	REEL - 11-BLADE	10	TCU24460	BRACKET
	TCA23621	REEL - 14-BLADE	11	TCU24461	BRACKET
5	TCU35968	SHOE	12	TCA18706	ADJUSTER
6	ET17533	BEDKNIFE - STANDARD	13	TCA22939	MOTOR - 2500E
	ET17534	BEDKNIFE - TOURNAMENT	14	TCU33535	SYNCHRONOUS BELT - 2500E
	ET17532	BEDKNIFE - FAIRWAY LOW-CUT - 7-BLADE	15	TCA22470	HYDRAULIC MOTOR - 2500B
	ET17767	BEDKNIFE - FAIRWAY - HI-CUT			
	MT7351	BEDKNIFE - LOW-CUT - 11-BLADE			
	ET11066	BEDKNIFE - 3.0 mm W/HARDENED INSERT			

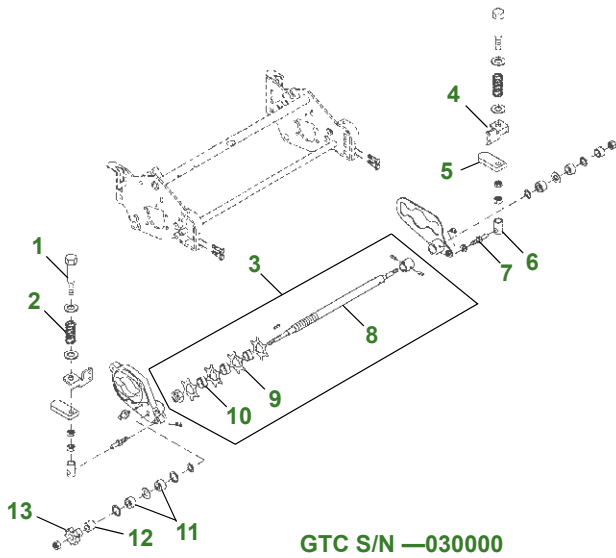
# 2500B / 2500E Hybrid 22 in. Rollers and Cutting Unit



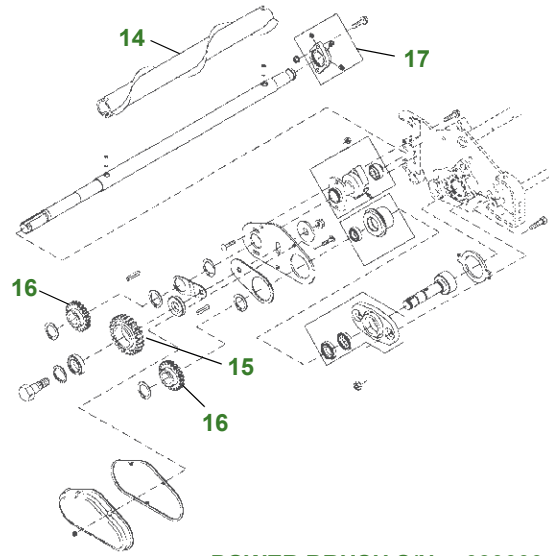
S/N -030000

Key	Part No.	Description	Key	Part No.	Description
1	ET17533 .....	BEDKNIFE - STANDARD	11	BM23566 .....	ROLLER - MACHINED SPIRAL - 2 in.
	ET17767 .....	BEDKNIFE - FAIRWAY - HI-CUT	12	AMT2875 .....	MACHINED GROOVED SOLID FRONT ROLLER - 2 X 22.5 in.
	ET17534 .....	BEDKNIFE - TOURNAMENT		AMT2877 .....	MACHINED GROOVED SOLID FRONT ROLLER - 2 X 23.5 in.
	ET17532 .....	BEDKNIFE - FAIRWAY - LOW-CUT - 7-BLADE		BE23416 .....	MACHINED GROOVED SOLID FRONT ROLLER - 2 in. - ATTACHMENT
	ET11066 .....	BEDKNIFE - 3.0 mm W/HARDENED INSERT	13	AMT2879 .....	MACHINED GROOVED SOLID FRONT ROLLER WITH SOLID END CAPS - 2 in.
	MT7351 .....	BEDKNIFE - LOW-CUT - 11-BLADE	14	AMT2467 .....	SPIRAL ROLLER WITH SPIRAL END CAPS - 3 in.
	TCU36165 .....	BEDKNIFE - HARDENED LESS AGGRESSIVE LOW-CUT		AMT1286 .....	SPIRAL ROLLER WITH GROOVED END CAPS - 3 in.
2	21M7194 .....	SCREW	15	JD8226 .....	BEARING CUP
3	ET14592 .....	SPRING	16	JD8188 .....	BEARING CONE
4	ET14566 .....	SEAL	17	U46731 .....	O-RING
5	ET16704 .....	RETAINER	18	ET15726 .....	SLEEVE
6	JD8188 .....	BEARING CONE	19	ET15755 .....	SEAL
7	JD8226 .....	BEARING CUP	20	N101345 .....	LOCK NUT
8	AMT2883 .....	REEL - 7-BLADE	21	AMT2880 .....	MACHINED SPIRAL ROLLER - 2 in.
	AMT2885 .....	REEL - 11-BLADE		BM19821 .....	MACHINED SPIRAL ROLLER - 2 in. - ATTACHMENT
9	TCA22836 .....	BALL BEARING	22	BTC10267 .....	MACHINED GROOVED ROLLER - 2 in.
10	AMT2876 .....	HOLLOW SMOOTH ROLLER - 2 in. (FOR USE ON GREENS)	23	AMT2966 .....	GROOVED DISK ROLLER - 3 in.
	AMT2967 .....	SMOOTH ROLLER - 3 in.	24	BM19817 .....	SPIRAL ROLLER WITH END CAPS - ATTACHMENT
	AMT2878 .....	MACHINED SMOOTH SOLID FRONT ROLLER - 2 in.			
	BM24202 .....	HOLLOW SMOOTH ROLLER - 2 in. (FOR USE ON FAIRWAYS)			

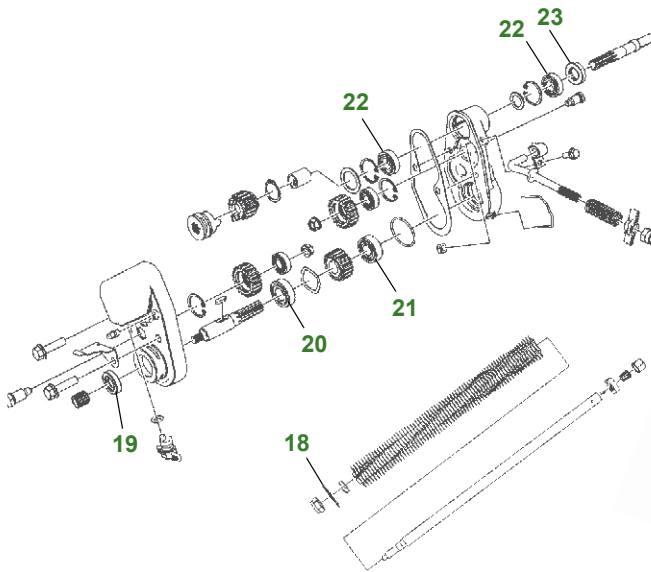
# 2500B / 2500E Hybrid 22 in. GTC & Power Brush



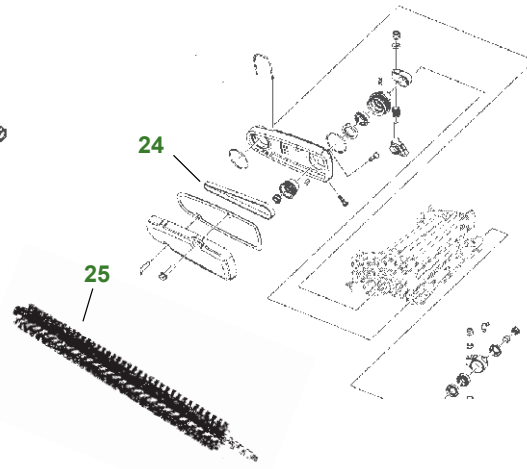
**GTC S/N -030000**



**POWER BRUSH S/N -030000**



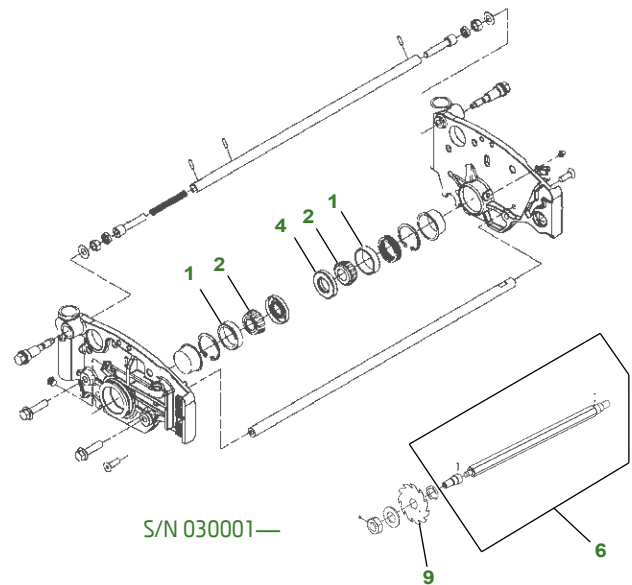
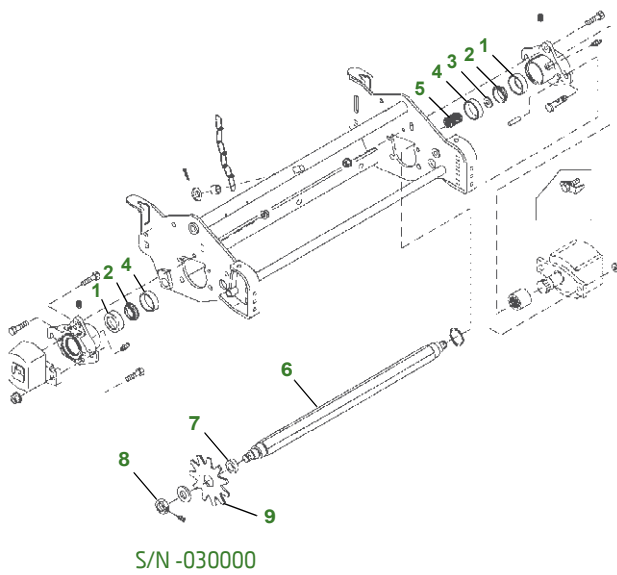
**GTC S/N 030001-**



**POWER BRUSH S/N 030001-**

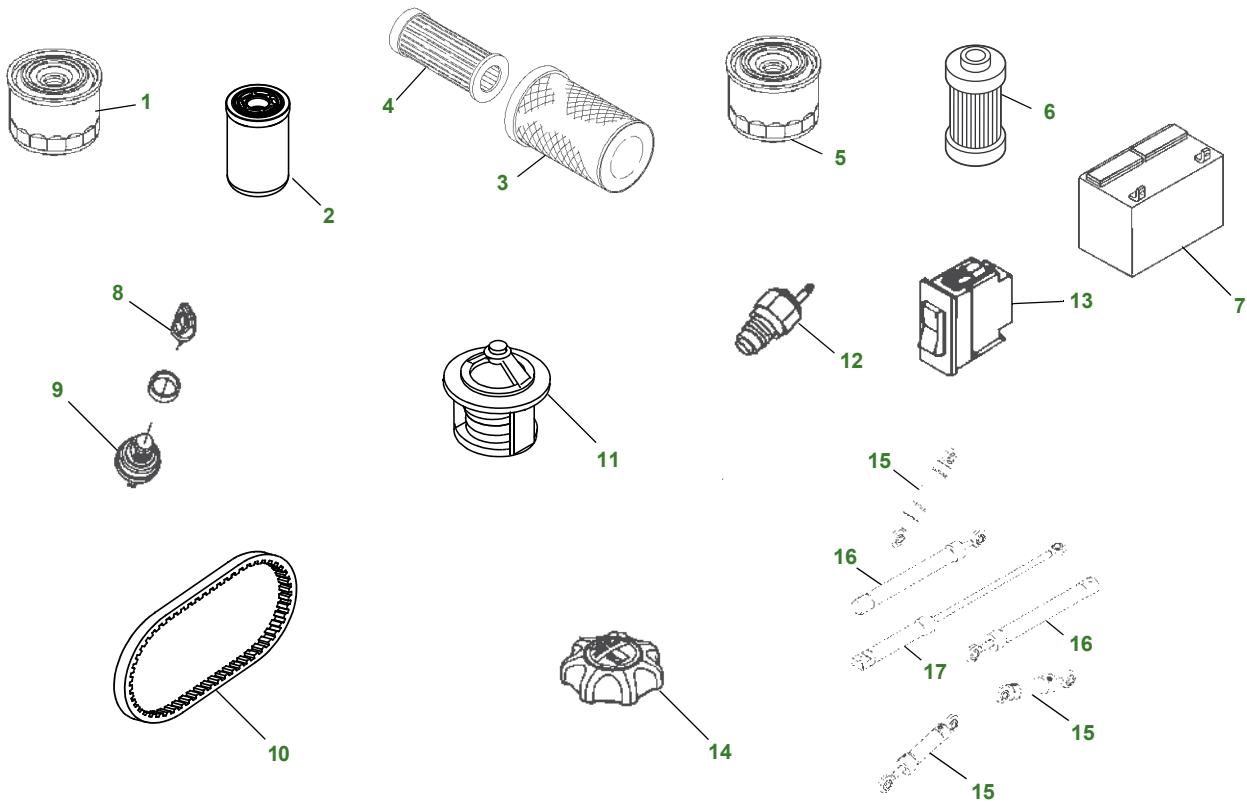
Key	Part No.	Description	Key	Part No.	Description
1	ET16849	.....BOLT	14	AMT2710	.....BRUSH
2	Y3082BN	.....SPRING	15	AMT1650	.....GEAR - IDLER
3	AMT2936	.....ROLL	16	MT2552	.....GEAR - BRUSH DRIVER
4	MT6649	.....SUPPORT	17	AMT1643	.....BALL BEARING
5	ET16848	.....STRAP	18	ET14707	.....BEDKNIFE - GREENS TENDER CONDITIONER
6	ET16750	..... ADJUSTER		MT2624	.....BEDKNIFE - FAIRWAY TENDER CONDITIONER
7	ET16753	..... STUD	19	MT2622	.....SEAL
8	MT4633	.....SHAFT	20	JD8653	.....BALL BEARING
9	ET14707	..... KNIFE - GREENS TENDER CONDITIONER (2.36 in.)	21	M802355	.....BALL BEARING
	MT7266	.....KNIFE - GREENS TENDER CONDITIONER (2.13 in.)	22	TCU24834	.....BALL BEARING
10	MT7280	.....SPACER	23	MT6828	.....SEAL
11	ET16026	.....BALL BEARING	24	TCU32422	.....SYNCHRONOUS BELT
12	ET17658	.....SPACER	25	BM24730	.....DENSE TURF ROTARY TURF BRUSH
13	ET11039	.....SPUR GEAR			

# 2500B / 2500E Hybrid 22 in. Vertical Cutting Unit



Key	Part No.	Description	Key	Part No.	Description
1	JD8226	.....BEARING CUP	7	ET17713	.....WASHER
2	JD8188	.....BEARING CONE	8	ET17053	.....NUT
3	ET16704	.....WASHER	9	AMT2703	.....KNIFE - (S/N -030000)
4	ET14566	.....SEAL		TCU26776	.....KNIFE - (S/N 030001-)
5	ET14592	.....SPRING			
6	ET17715	.....SHAFT - (S/N -030000)			
	TCA19344	.....SHAFT - (S/N 030001-)			

# 7200A PrecisionCut™ Trim and Surrounds Mower



Rough Intermediates and Surrounds

Key	Part No.	Description	Key	Part No.	Description
1	M806418	ENGINE OIL FILTER	13	AM117324	HEADLIGHT SWITCH
2	LVU14258	HYDRAULIC OIL FILTER	14	TCA24601	FUEL CAP
3	M131802	AIR FILTER ELEMENT - PRIMARY	15	TCA24128	HYDRAULIC CYLINDER - LIFT
4	M131803	AIR FILTER ELEMENT - SECONDARY	16	TCA17627	HYDRAULIC CYLINDER - IMPLEMENT SHIFT
5	MIU800645	FUEL FILTER	17	TCA18638	HYDRAULIC CYLINDER - WIDTH OF CUT
6	M801101	FUEL SEPARATOR ELEMENT			
7	TY25876	BATTERY			
8	AM125504	KEY			
9	TCA22740	SWITCH			
10	TCU38089	BELT - FAN			
	M82461	BELT - WATER PUMP			
11	M811895	THERMOSTAT			
12	CH15516	WATER TEMP SWITCH			

# 7200A PrecisionCut™ Trim and Surrounds Mower (Continued)

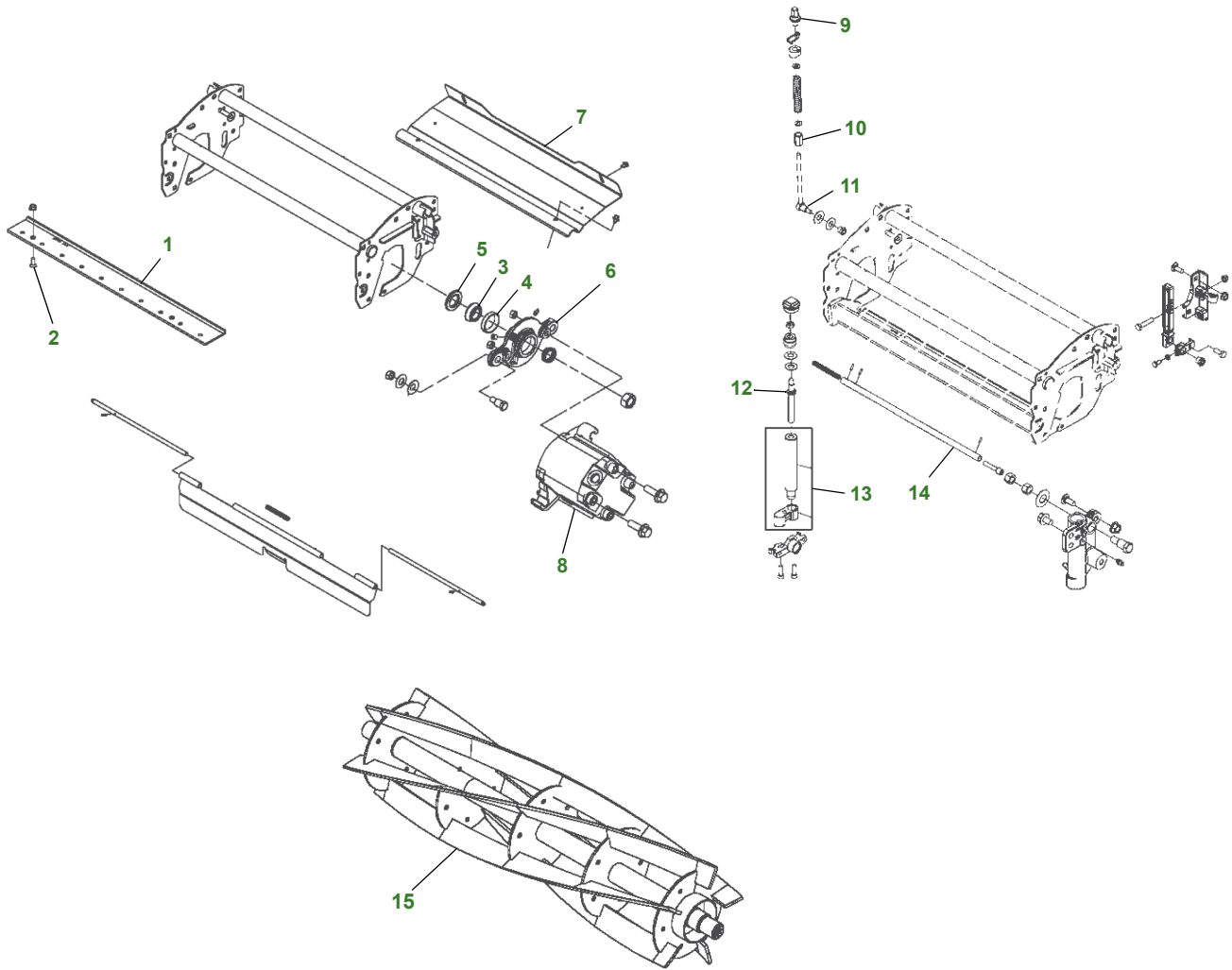
## Parts Needed in First 200 hours of Operation

Qty	Part No.	Item	Capacity	Interval In Hours
2	M806418	Engine Oil Filter		50/200
2	TY26673	Plus-50™ II 15W-40 Engine Oil - 1 gal	3.4 qt	50/200
2	TY26800	Torq-Gard™ Supreme 15W-40 Engine Oil - 1 gal	3.4 qt	50/200
1	LVU14258	Hydraulic Oil Filter		50
3	TY25083	John Deere Special Purpose Golf & Turf Cutting Unit Grease (14 oz) (Cutting Unit and Cutting Unit Attachments)		As Needed
1	TY6341	John Deere Multi-Purpose SD Polyurea Grease (14 oz) (Machine components, lift arms and rollers)		As Needed
3	TY6333	John Deere Special Purpose HD Moly (14oz)		As Needed

\*Refer to Operators Manual for service intervals if using BioDiesel Fuel and Bio Hy-Gard.

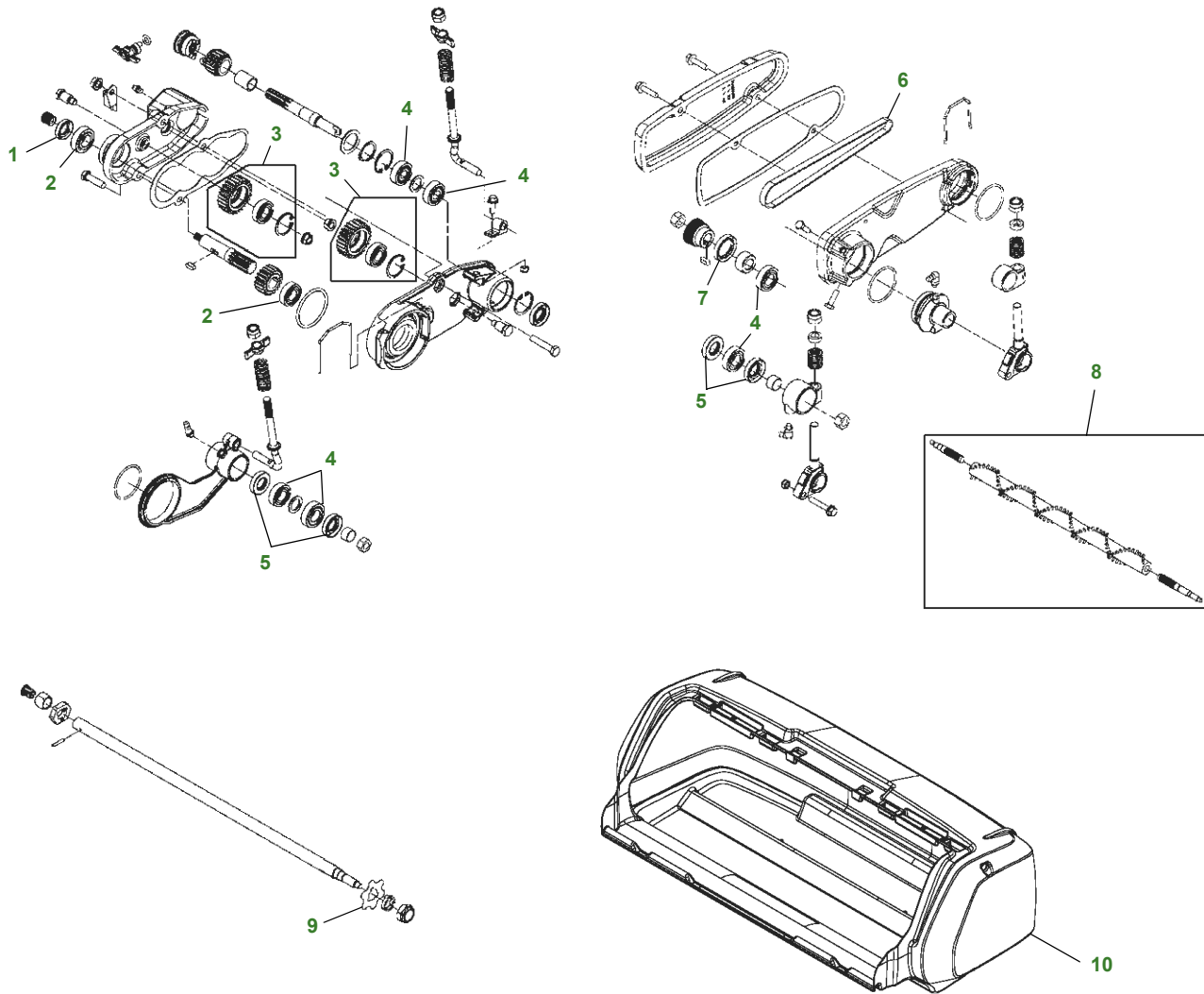
# 7200A PrecisionCut™ Reel Cutting Unit

Rough Intermediates and Surrounds



Key	Part No.	Description	Key	Part No.	Description
1	ET17752	BEDKNIFE - STANDARD - 26 in.	8	TCA22472	CUTTING UNIT MOTOR
	TCU34070	BEDKNIFE - LESS AGGRESSIVE HARDENED INSERT - 26 in.		TCA19115	CUTTING UNIT MOTOR SEAL KIT
	MT6949	BEDKNIFE - TOURNAMENT - 26 in.	9	TCU24955	ADJUSTER
	MT1973	BEDKNIFE - STANDARD - 30 in.	10	TCU26315	ADJUSTER
2	19M7573	SCREW - M8 - (12)	11	TCU25317	ADJUSTER
3	JD8933	BEARING CONE	12	TCU26123	ADJUSTER
4	JD8253	BEARING CUP	13	TCA19331	ADJUSTER
5	TCU25266	SEAL	14	TCU29056	TUBE - 26 in.
6	TCU25980	BEARING HOUSING W/O BEARINGS - LH		TCU26741	TUBE - 30 in.
	TCU25979	BEARING HOUSING W/O BEARINGS - RH	15	TCA19355	REEL - 5-BLADE - 26 in. - USE W/BM22465
7	TCA19174	SHIELD - 26 in.		TCA19357	REEL - 5-BLADE - 30 in. - USE W/BM22467
	TCA19175	SHIELD - 30 in.		TCA19356	REEL - 8-BLADE - 26 in. - USE W/BM22466
				TCA19358	REEL - 8-BLADE - 30 in. - USE W/BM22468

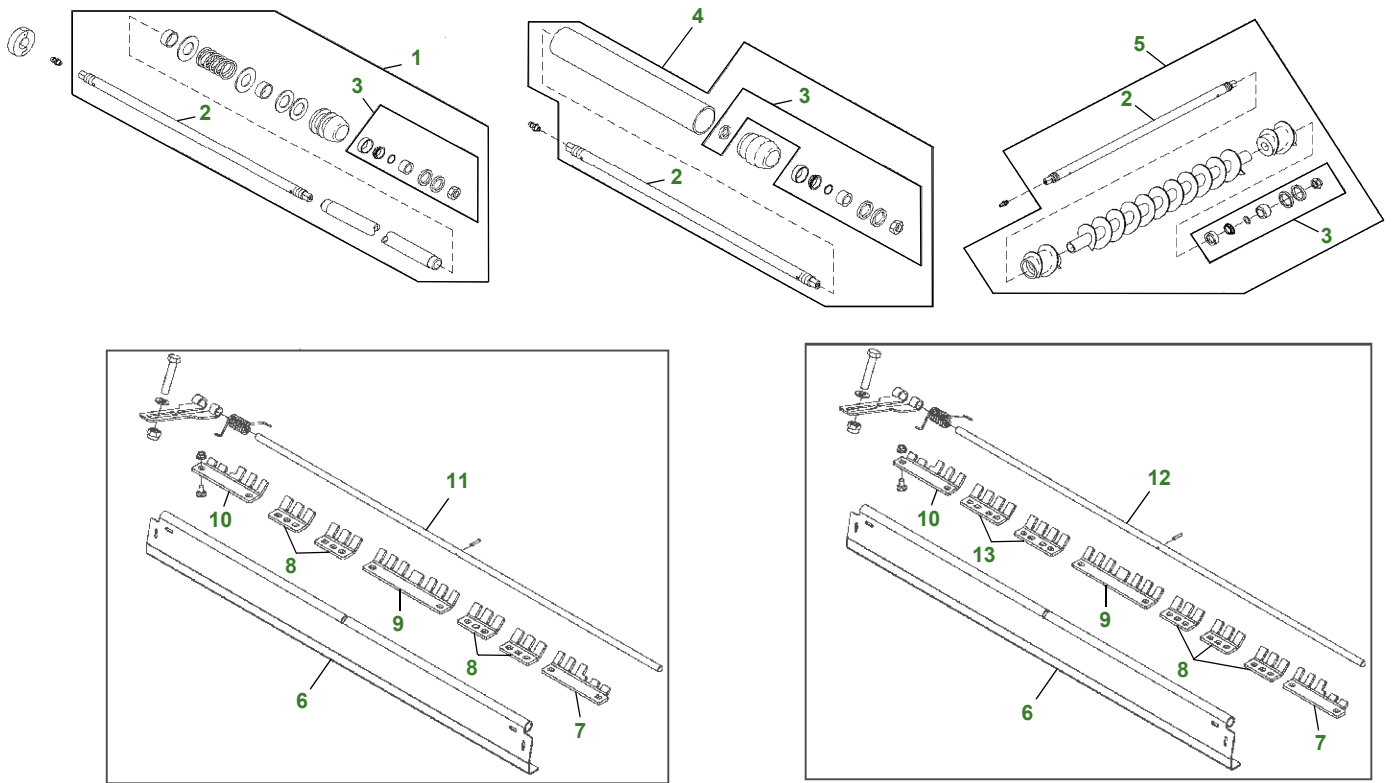
# 7200A PrecisionCut™ Cutting Unit, FTC, Rear Brush and Grass Catcher



Rough Intermediates and Surrounds

Key	Part No.	Description	Key	Part No.	Description
1	MT2622	SEAL	6	TCU32423	SYNCHRONOUS BELT
2	JD8653	BALL BEARING	7	TCU24983	SEAL
3	TCA17898	IDLER GEAR	8	TCA18668	REAR BRUSH KIT
4	TCU24834	BALL BEARING	9	MT2624	KNIFE
5	MT6828	SEAL	10	TCA18834	GRASS CATCHER

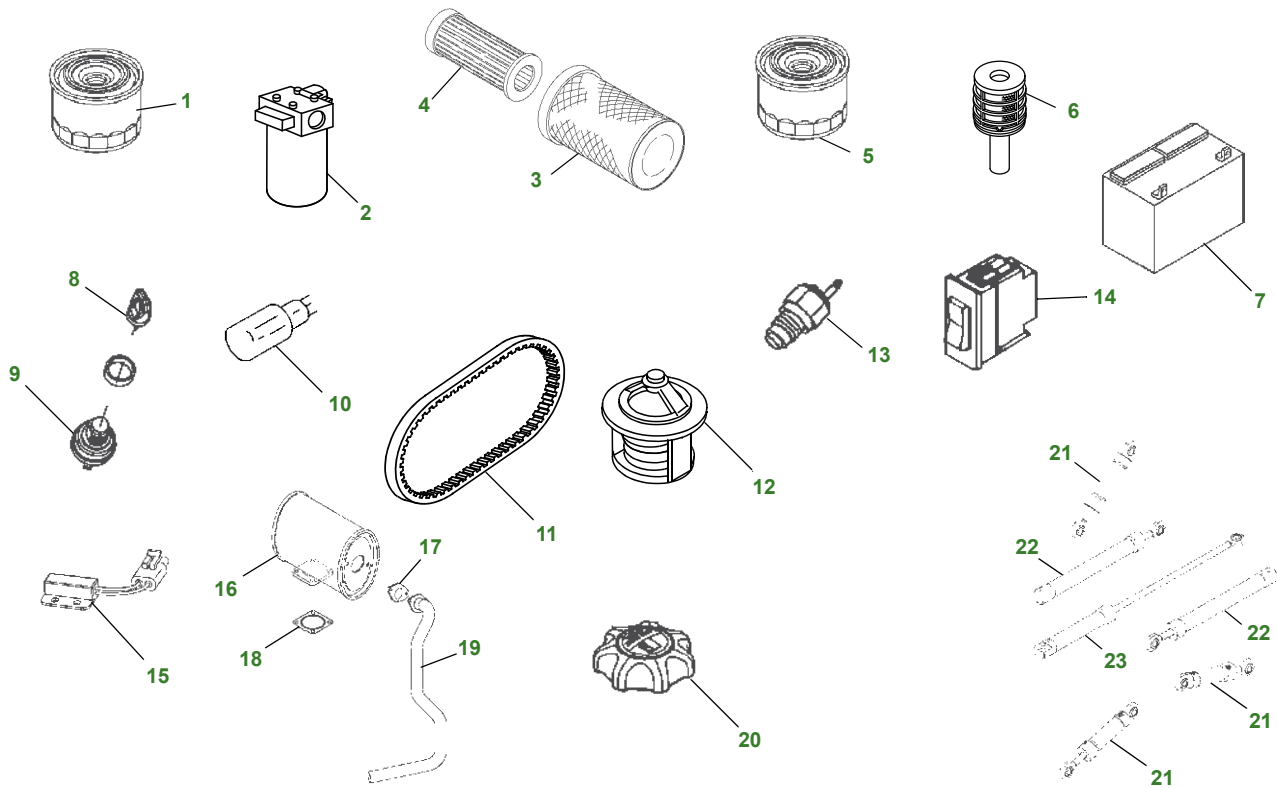
# 7200A PrecisionCut™ Cutting Unit Rollers and Scrapers



Rough Intermediates and Surrounds

Key	Part No.	Description	Key	Part No.	Description
1	AMT2968.....	ROLLER - GROOVED - 26 in.	6	TCU27070.....	SCRAPER - 30 in.
	AMT2977.....	ROLLER - GROOVED - 30 in.		TCU27069.....	SCRAPER - 26 in.
2	ET17514.....	SHAFT - 26 in.	7	MT5159.....	SCRAPER (RH)
	MT1986.....	SHAFT - 30 in.	8	MT2342.....	SCRAPER (4) - 26 in.
3	AET10632 .....	SEAL KIT		MT2342.....	SCRAPER (3) - 30 in.
4	AMT2969.....	ROLLER - SMOOTH - 26 in.	9	MT2340.....	SCRAPER
	AMT2976.....	ROLLER - SMOOTH - 30 in.	10	MT5158.....	SCRAPER (LH)
5	AMT2468.....	ROLLER - SPIRAL - 26 in.	11	ET17758.....	ROD - 26 in.
	AMT2469.....	ROLLER - SPIRAL - 30 in.	12	MT1982 .....	ROD - 30 in.
	AMT1287.....	ROLLER - SPIRAL GROOVED END CAPS - 26 in.	13	MT2341.....	SCRAPER (2) - 30 in.
	AMT1288.....	ROLLER - SPIRAL GROOVED END CAPS - 30 in.			

# 7200 PrecisionCut™ Trim and Surrounds Mower



Rough Intermediates and Surrounds

Key	Part No.	Description	Key	Part No.	Description
1	M806419	OIL FILTER ELEMENT - ENGINE	13	CH15516	WATER TEMP SWITCH
2	LVU14258	HYDRAULIC FILTER	14	AM117324	HEADLIGHT SWITCH
3	RE68048	AIR FILTER ELEMENT - PRIMARY	15	AE74100	MOW/TRANS SWITCH
4	RE68049	AIR FILTER ELEMENT - SECONDARY	16	MIU801257	MUFFLER
5	MIU800645	FUEL FILTER	17	LVU801094	GASKET
6	M811032	FUEL SEPARATOR ELEMENT	18	M811089	GASKET
7	TY25876	BATTERY	19	TCA18464	EXHAUST PIPE
8	AM125504	KEY	20	AM144707	FILLER CAP
9	TCA22740	SWITCH	21	TCA20852	HYDRAULIC CYLINDER
10	AH208904	BULB - WORKLIGHT	22	TCA17627	HYDRAULIC CYLINDER - IMPLEMENT SHIFT
11	H86274	BELT - FAN	23	TCA18638	HYDRAULIC CYLINDER - WIDTH OF CUT
	M801821	BELT - WATER PUMP			
12	M811034	THERMOSTAT			

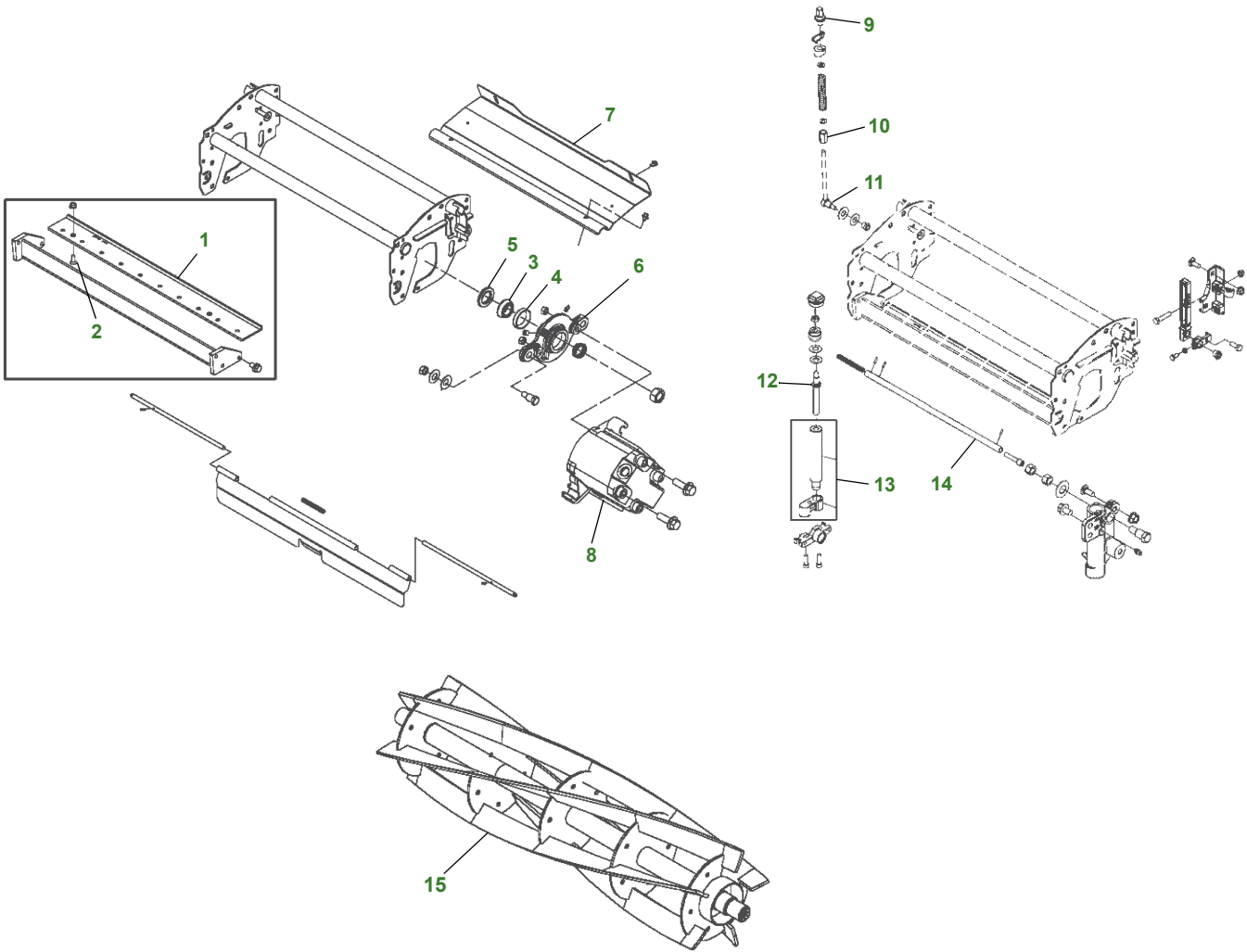
# 7200 PrecisionCut™ Trim and Surrounds Mower

## Parts Needed in First 250 hours of Operation

Qty	Part No.	Item	Capacity	Interval In Hours
2	M806419	Engine Oil Filter		50/200
1	TY26675	2 1/2 gal Plus 50 15W40 Engine Oil	4.0 qt	50/200
1	LVU14258	Hydraulic Filter		50
3	TY25083	John Deere Special Purpose Golf & Turf Cutting Unit Grease (14 oz) (Cutting Unit and Cutting Unit Attachments)		As Needed
3	TY6341	John Deere Multi-Purpose SD Polyurea Grease (14 oz) (Machine components, lift arms and rollers)		As Needed

\*Refer to Operators Manual for service intervals if using BioDiesel Fuel and Bio Hy-Gard.

# 7200 PrecisionCut™ Reel Cutting Unit

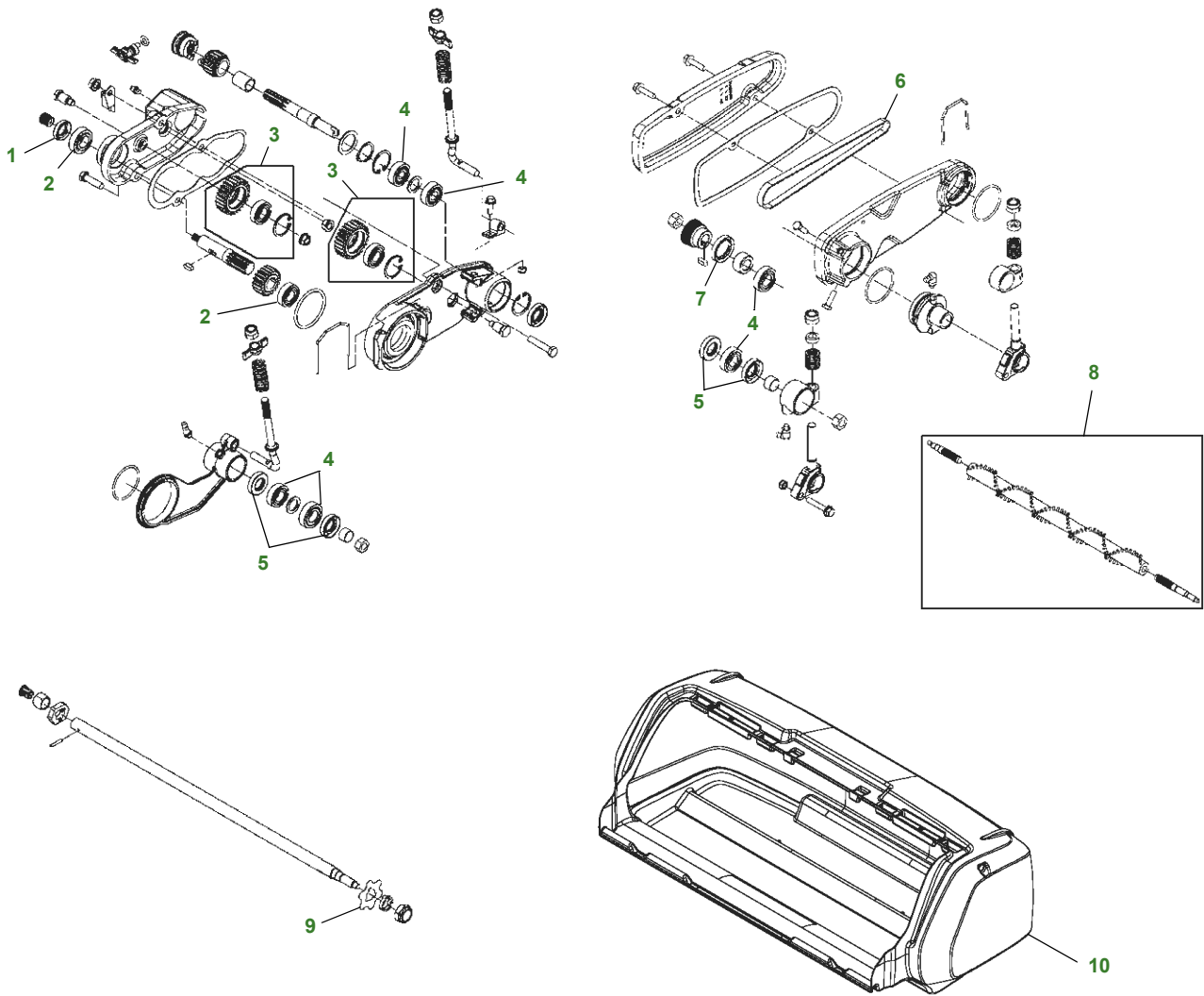


Rough Intermediates and Surrounds

Key	Part No.	Description	Key	Part No.	Description	
1	ET17752	.....KNIFE - STANDARD - 26 INCH	9	TCU24955	.....ADJUSTER	
	TCU34070	.....KNIFE - TOOL-STEEL INSERT - 26 inch		10	TCU26315	.....ADJUSTER
	MT6949	.....KNIFE - TOURNAMENT - 26 INCH (STD)		11	TCU25317	.....ADJUSTER
	MT1973	.....KNIFE - STANDARD - 30 INCH		12	TCU26123	.....ADJUSTER
2	19M7573	.....SCREW - M8-12		13	TCA19331	.....ADJUSTER
	JD8933	.....BEARING CONE		14	TCU29056	.....TUBE - 26 INCH
4	JD8253	.....BEARING CUP			TCU26741	.....TUBE - 30 INCH
5	TCU25266	.....SEAL		15	TCA19355	..... REEL - 5 BLADE - 26 INCH - USE W/BM22465
6	TCU25980	.....BEARING HOUSING W/O BEARINGS - LH			TCA19357	..... REEL - 5 BLADE - 30 INCH - USE W/BM22467
	TCU25979	.....BEARING HOUSING W/O BEARINGS - RH			TCA19356	..... REEL - 8 BLADE - 26 INCH - USE W/BM22466
7	TCA19174	.....SHIELD - 26 INCH			TCA19358	..... REEL - 8 BLADE - 30 INCH - USE W/ BM22468
	TCA19175	.....SHIELD - 30 INCH				
8	TCA22472	.....CUTTING UNIT MOTOR				
	TCA19115	.....CUTTING UNIT MOTOR SEAL KIT				

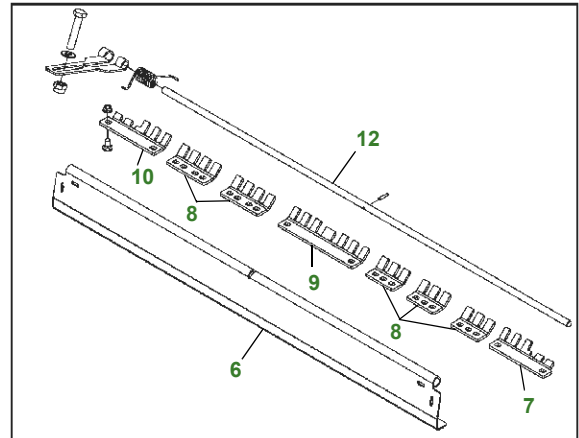
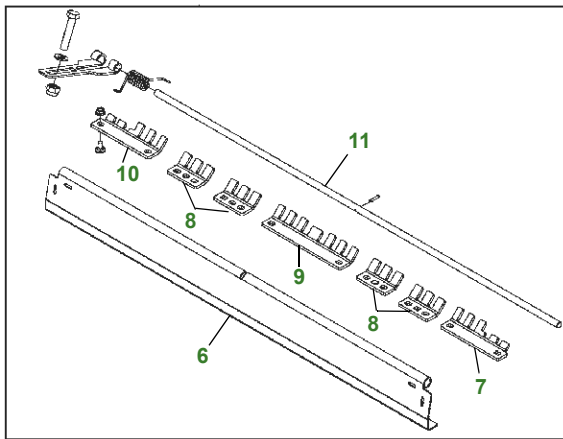
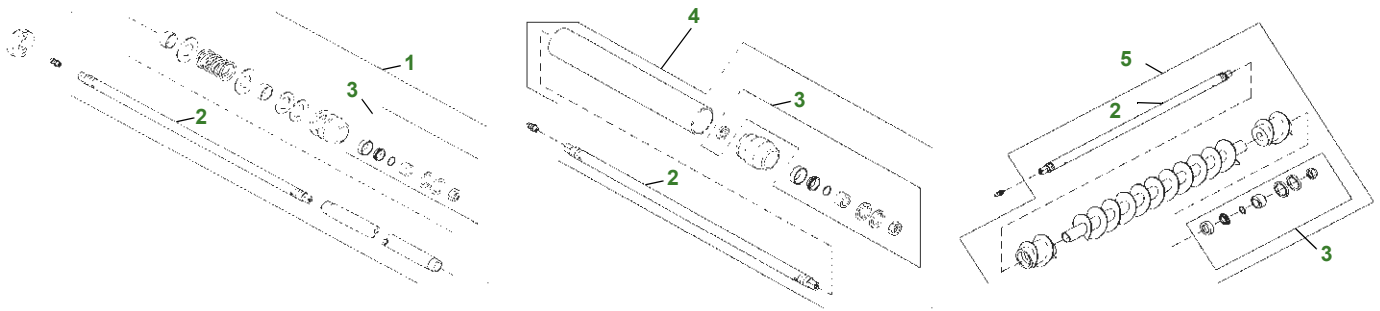
# 7200 PrecisionCut™ Cutting Unit, FTC, Rear Brush and Grass Catcher

Rough Intermediates and Surrounds



Key	Part No.	Description	Key	Part No.	Description
1	MT2622	..... SEAL	6	TCU32423	.....SYNCHRONOUS BELT
2	JD8653	.....BALL BEARING	7	TCU24983	.....SEAL
3	TCA17898	.....IDLER GEAR	8	TCA18668	.....REAR BRUSH KIT
4	TCU24834	.....BALL BEARING	9	MT2624	.....KNIFE
5	MT6828	.....SEAL	10	TCA18834	.....GRASS CATCHER

# 7200 PrecisionCut™ Cutting Unit Rollers and Scrapers

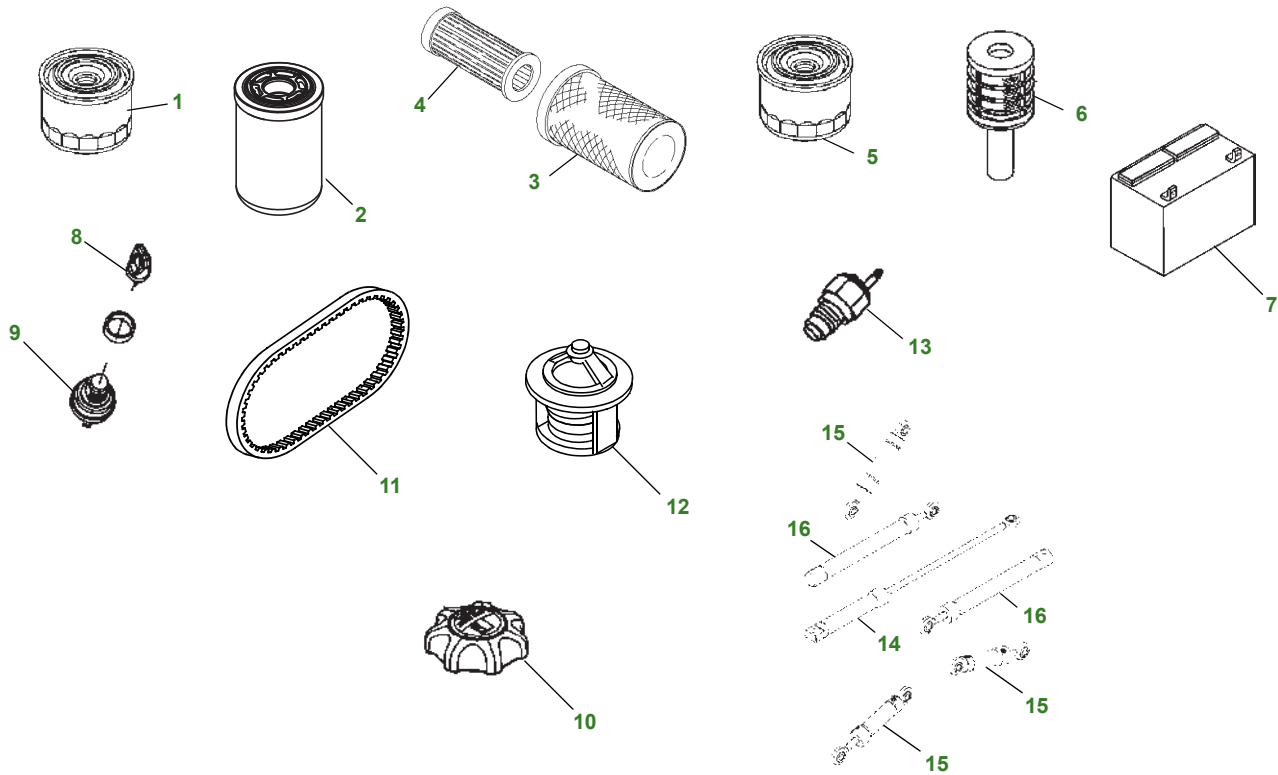


Rough Intermediates and Surrounds

Key	Part No.	Description	Key	Part No.	Description
1	AMT2968.....	ROLLER - GROOVED - 26 INCH	6	TCU27070 .....	SCRAPER
	AMT2977.....	ROLLER - GROOVED - 30 INCH	7	MT5159 .....	SCRAPER
2	ET17514.....	SHAFT - 26 INCH	8	MT2342 .....	SCRAPER
	MT1986.....	SHAFT - 30 INCH	9	MT2340 .....	SCRAPER
3	AET10632 .....	SEAL KIT	10	MT5158 .....	SCRAPER
4	AMT2969.....	ROLLER - SMOOTH - 26 INCH	11	ET17758.....	ROD - 26 INCH
	AMT2976.....	ROLLER - SMOOTH - 30 INCH	12	MT1982 .....	ROD - 30 INCH
5	AMT2468.....	ROLLER - SPIRAL - 26 INCH			
	AMT2469.....	ROLLER - SPIRAL - 30 INCH			
	AMT1287.....	ROLLER - SPRIAL GROOVED END CAPS - 26 INCH			
	AMT1288.....	ROLLER - SPRIAL GROOVED END CAPS - 30 INCH			

# 7400A TerrainCut™ Trim and Surrounds Mower

Rough Intermediates and Surrounds



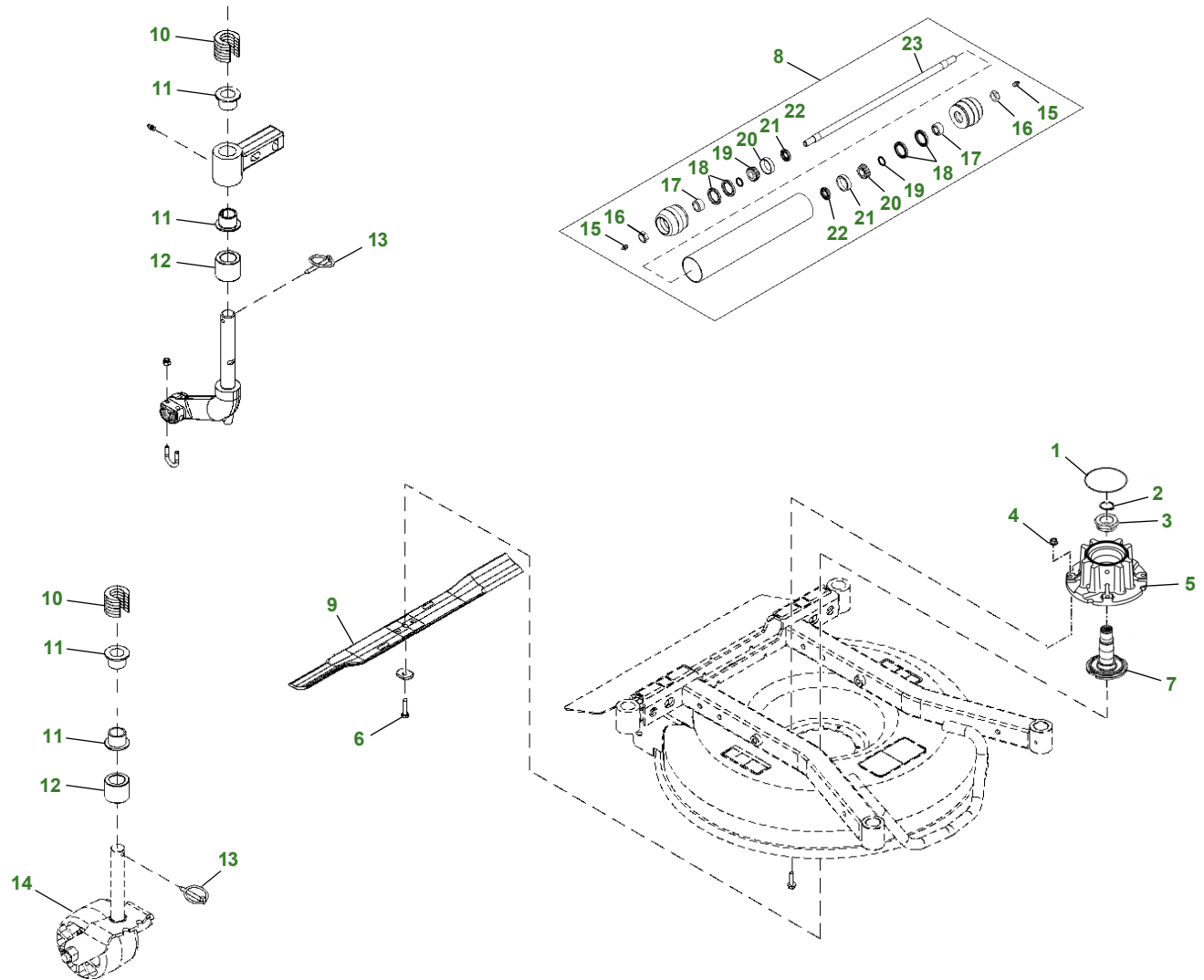
Key	Part No.	Description	Key	Part No.	Description
1	MIU800647	.....ENGINE OIL FILTER	12	M811034	.....THERMOSTAT
2	LVU14258	.....HYDRAULIC OIL FILTER	13	CH15516	.....WATER TEMP SWITCH
3	M131802	.....AIR FILTER - PRIMARY	14	TCA17806	.....HYDRAULIC CYLINDER - WIDTH OF CUT
4	M131803	.....AIR FILTER - SECONDARY	15	TCA24128	.....HYDRAULIC CYLINDER
5	MIU803127	.....FUEL FILTER	16	TCA17627	.....HYDRAULIC CYLINDER - IMPLEMENT SHIFT
6	MIU802421	.....FUEL SEPARATOR			
7	TY25876	.....BATTERY			
8	AM125504	.....KEY			
9	TCA22740	.....SWITCH			
10	TCA24601	.....FILLER CAP			
11	TCU38089	.....BELT - FAN			
	LVU11662	.....BELT - WATER PUMP			

## Parts Needed in First 200 hours of Operation

Qty	Part No.	Item	Capacity	Interval In Hours
2	MIU800647	Engine Oil Filter		50/200
3	TY26673	Plus-50™ II 15W-40 Engine Oil - 1 gal	5.6 qt	50/200
1	LVU14258	Hydraulic Oil Filter		50
3	TY25083	John Deere Special Purpose Golf & Turf Cutting Unit Grease (Cutting Unit and Cutting Unit Attachments)		As Needed
3	TY6341	John Deere Multi-Purpose SD Polyurea Grease (14 oz) (Machine components, lift arms and rollers)		As Needed

\*Refer to Operators Manual for service intervals if using BioDiesel Fuel and Bio Hy-Gard.

# 7400A TerrainCut™ Rotary Deck

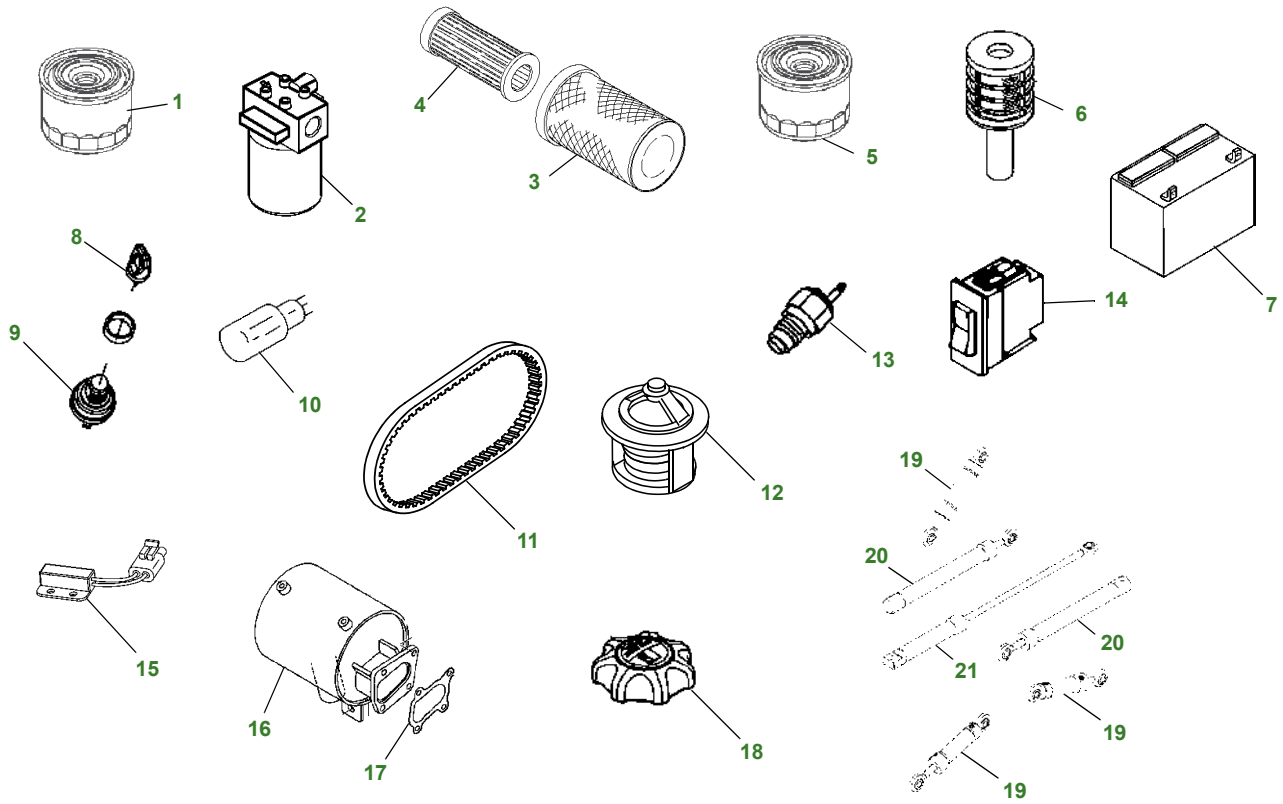


Key	Part No.	Description	Key	Part No.	Description
1	H142234	O-RING	13	M115827	QUICK LOCK PIN
2	M42702	SNAP RING	14	TCA19047	CASTER
3	TCU27862	NUT	15	JD7759	LUBRICATION FITTING
4	14M7298	FLANGE NUT	16	N101345	LOCK NUT
5	TCU32112	BEARING HOUSING WITH BEARING	17	ET15726	SLEEVE
6	TCU28104	BOLT - BLADE	18	ET15755	SEAL
7	TCU32113	ADAPTER	18	U46731	O-RING
8	TCA17790	ROLLER - 76 mm (3 in.) SMOOTH	20	JD8188	BEARING CONE
9	TCU27401	MOWER BLADE	21	JD8226	BEARING CUP
	TCU27876	MULCH MOWER BLADE	22	MT739	SEAL
10	TCU23569	WASHER	23	TCU23559	SHAFT
11	M83541	BUSHING			
12	TCU24952	SPACER			

Rough Intermediates and Surrounds

# 7400 TerrainCut™ Trim and Surrounds Mower

Rough Intermediates and Surrounds



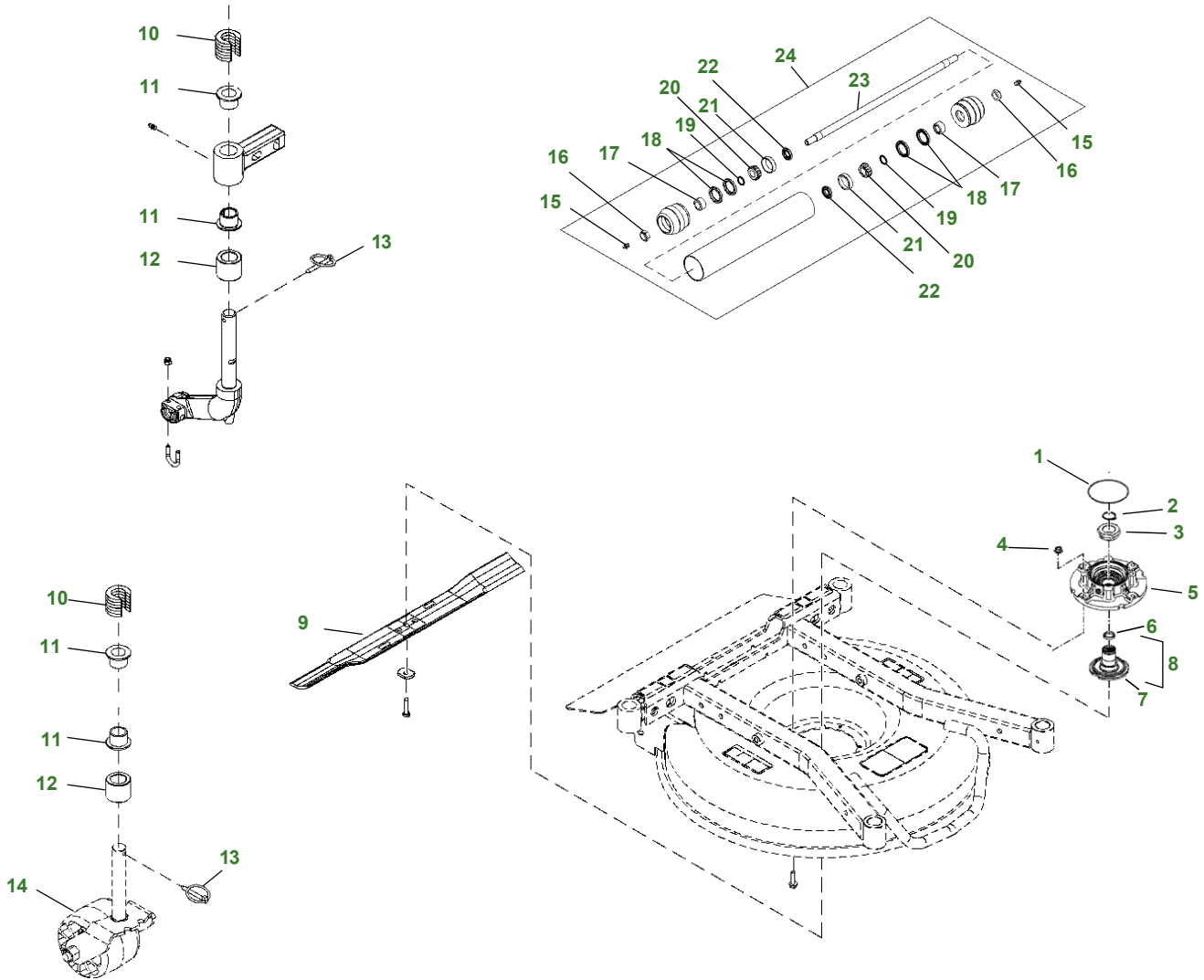
Key	Part No.	Description	Key	Part No.	Description
1	M806419	OIL FILTER ELEMENT - ENGINE	12	M811034	THERMOSTAT
2	LVU14258	HYDRAULIC FILTER	13	CH15516	WATER TEMP SWITCH
3	RE68048	AIR FILTER ELEMENT - PRIMARY	14	AM117324	HEADLIGHT SWITCH
4	RE68049	AIR FILTER ELEMENT - SECONDARY	15	AE74100	MOW/TRANS SWITCH
5	MIU800645	FUEL FILTER	16	M811461	MUFFLER
6	M811032	FUEL SEPARATOR ELEMENT	17	RG60592	GASKET
7	TY25876	BATTERY	18	AM144707	FILLER CAP
8	AM125504	KEY	19	TCA20852	HYDRAULIC CYLINDER
9	TCA22740	SWITCH	20	TCA17627	HYDRAULIC CYLINDER - IMPLEMENT SHIFT
10	AH208904	BULB - WORKLIGHT	21	TCA17806	HYDRAULIC CYLINDER - WIDTH OF CUT
11	TCU23131	BELT - FAN			
	LVU11662	BELT - WATER PUMP			

## Parts Needed in First 250 hours of Operation

Qty	Part No.	Item	Capacity	Interval In Hours
2	M806419	Engine Oil Filter		50/200
2	TY26675	2 1/2 gal Plus 50 15W40 Engine Oil	5.4 qt	50/200
1	LVU14258	Hydraulic Filter		50
3	TY25083	John Deere Special Purpose Golf & Turf Cutting Unit Grease (Cutting Unit and Cutting Unit Attachments)		As Needed
3	TY6341	John Deere Multi-Purpose SD Polyurea Grease (14 oz) (Machine components, lift arms and rollers)		As Needed

\*Refer to Operators Manual for service intervals if using BioDiesel Fuel and Bio Hy-Gard.

# 7400 TerrainCut™ Rotary Deck

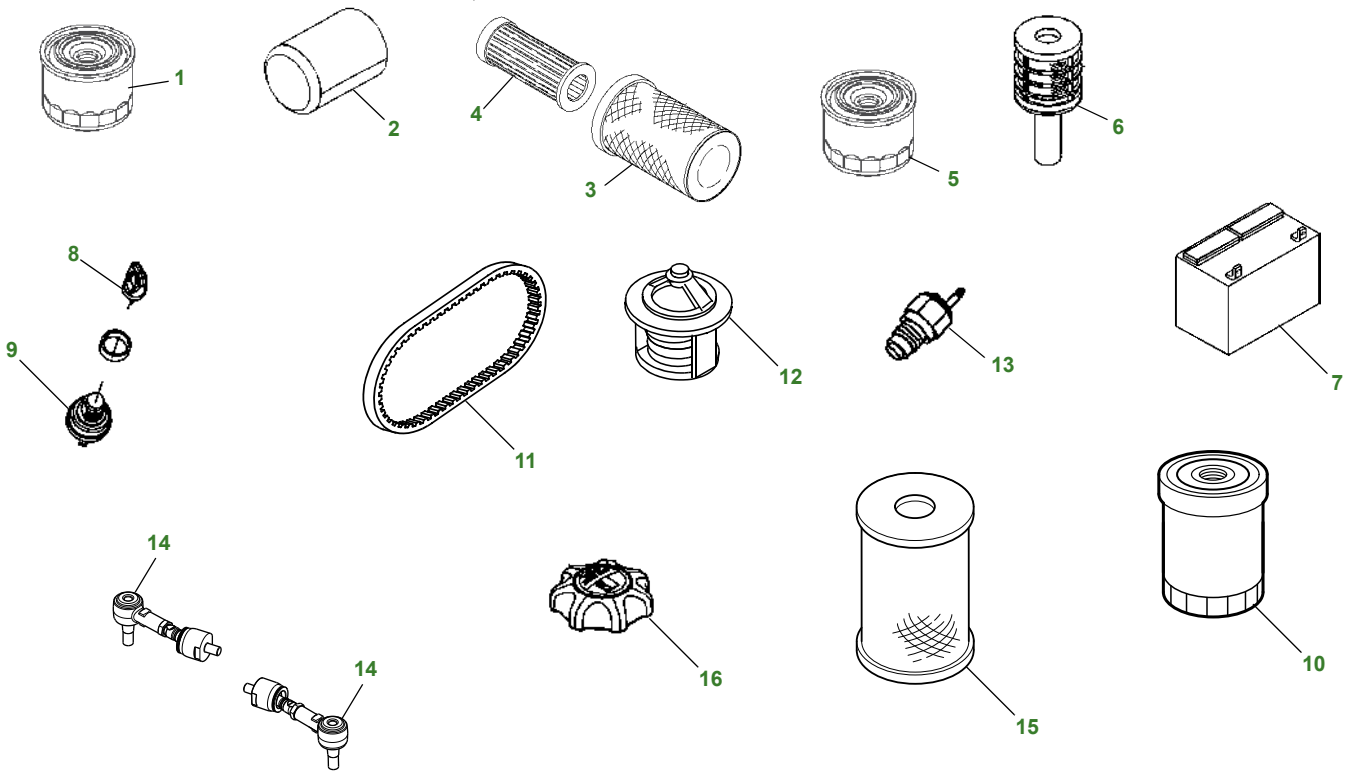


Rough Intermediates and Surrounds

Key	Part No.	Description	Key	Part No.	Description
1	H142234.....	O-RING	13	M115827.....	QUICK LOCK PIN
2	M42702.....	SNAP RING	14	TCA19047.....	CASTER
3	TCU27862.....	NUT	15	JD7759.....	LUBRICATION FITTING
4	14M7298.....	FLANGE NUT	16	N101345.....	LOCK NUT
5	TCA20017.....	BEARING HOUSING WITH BEARING	17	ET15726.....	SLEEVE
6	TCU28216.....	WASHER	18	ET15755.....	SEAL
7	TCA20018.....	ADAPTER	18	U46731.....	O-RING
8	TCA20018.....	ADAPTER WITH PILOT	20	JD8188.....	BEARING CONE
9	TCU27401.....	MOWER BLADE	21	JD8226.....	BEARING CUP
	TCU27876.....	MULCH MOWER BLADE	22	MT739.....	SEAL
10	TCU23569.....	WASHER	23	TCU23559.....	SHAFT
11	M83541.....	BUSHING	24	TCA17790.....	ROLLER - 76MM (3 INCH) SMOOTH
12	TCU24952.....	SPACER			

# 8800A TerrainCut™ Mower

Rough Intermediates and Surrounds



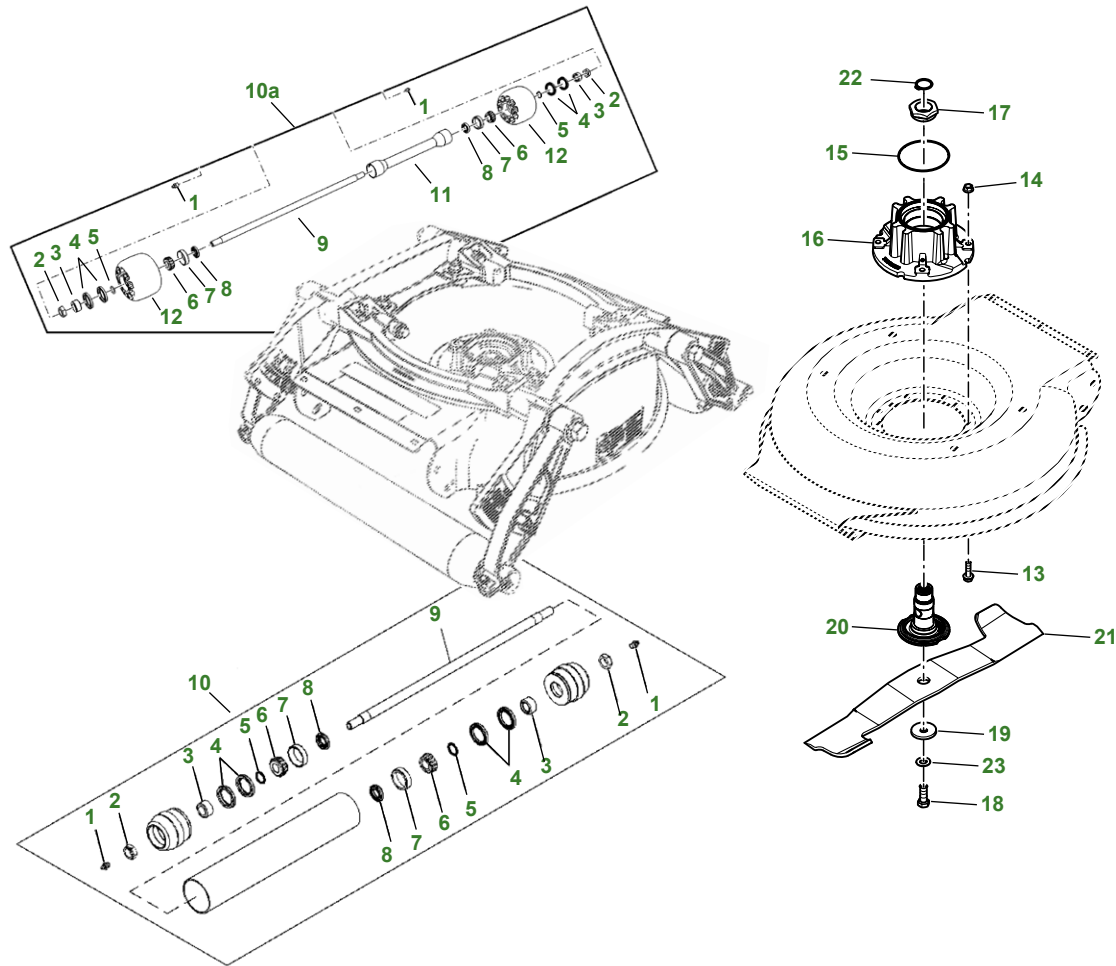
Key	Part No.	Description	Key	Part No.	Description
1	M806419	ENGINE OIL FILTER	11	TCU38089	BELT - FAN
2	LVU14258	HYDRAULIC OIL FILTER		TCU30780	BELT - FAN - TIER 4
3	M131802	AIR FILTER ELEMENT - PRIMARY	12	M811034	THERMOSTAT
4	M131803	AIR FILTER ELEMENT - SECONDARY	13	CH15516	WATER TEMP SWITCH
5	MIU800645	FUEL FILTER	14	TCA23641	TIE ROD ENDS
6	M811032	FUEL SEPARATOR ELEMENT	15	MIU802421	FUEL FILTER - PRIMARY - TIER 4
7	TY25876	BATTERY	16	TCA24601	FILLER CAP
8	AM125504	KEY			
9	TCA22740	SWITCH			
10	MIU803127	FUEL FILTER - FINAL - TIER 4			

### Parts Needed in First 200 hours of Operation

Qty	Part No.	Item	Capacity	Interval In Hours
2	M806419	Engine Oil Filter		50/200
3	TY26673	Plus-50™ II 15W-40 Engine Oil - 1 gal	6.0 qt	50/200
1	LVU14258	Hydraulic Oil Filter		50
3	TY25083	John Deere Special Purpose Golf and Turf Cutting Unit Grease (14 oz) (Cutting Unit and Cutting Unit Attachments)		As Needed
3	TY6341	John Deere Multi-Purpose SD Polyurea Grease (14 oz) (Machine components, lift arms and rollers)		As Needed

\*Refer to Operators Manual for service intervals if using BioDiesel Fuel and Bio Hy-Gard.

# 8800A TerrainCut™ Rotary Deck

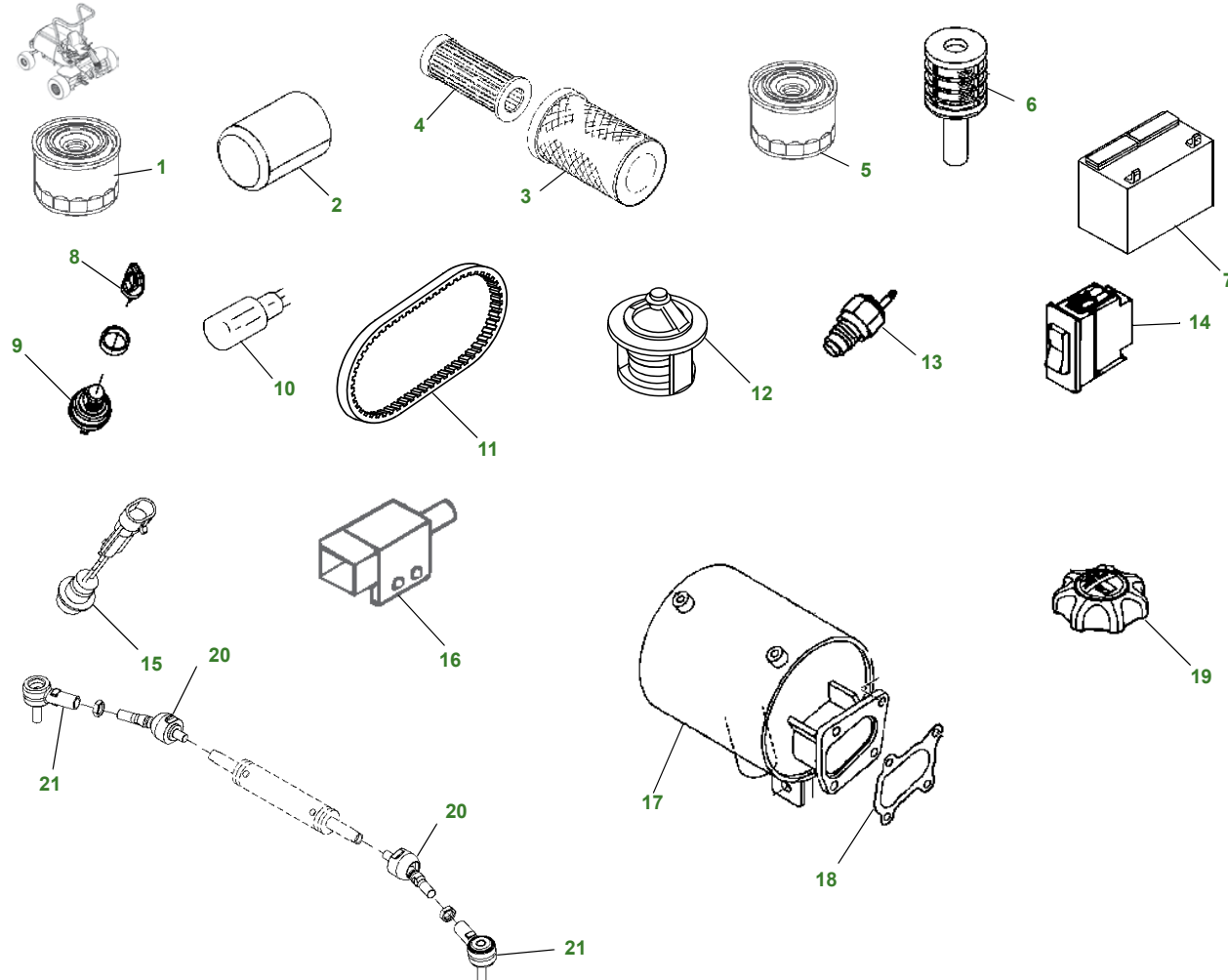


Rough Intermediates and Surrounds

Key	Part No.	Description	Key	Part No.	Description
1	JD7759	.....LUBRICATION FITTING	14	14M7298	.....FLANGE NUT
2	N101345	.....LOCK NUT	15	H142234	.....O-RING
3	ET15726	.....SLEEVE	16	TCU32112	.....HOUSING
4	ET15755	.....SEAL	17	TCU27862	.....NUT
5	U46731	.....O-RING	18	TCU28104	.....BOLT
6	JD8188	.....BEARING CONE	19	M147138	.....WASHER
7	JD8226	.....BEARING CUP	20	TCU32113	.....ADAPTER
8	MT739	.....SEAL	21	TCU36461	.....MOWER BLADE - LOW LIFT
9	TCU20818	.....SHAFT		TCU32775	.....MOWER BLADE - HIGH LIFT
10	TCA16183	.....ROLLER - REAR		TCU32776	.....MOWER BLADE - MEDIUM LIFT
10a	TCA19028	.....ROLLER - FRONT		TCU32778	.....MOWER BLADE - MULCH
11	TCA19375	.....SPACER	22	M42702	.....SNAP RING
12	TCU25955	.....ROLLER	23	TCU27937	.....WASHER
13	19M7868	.....SCREW			

# 8800 TerrainCut™ Mower

Rough Intermediates and Surrounds



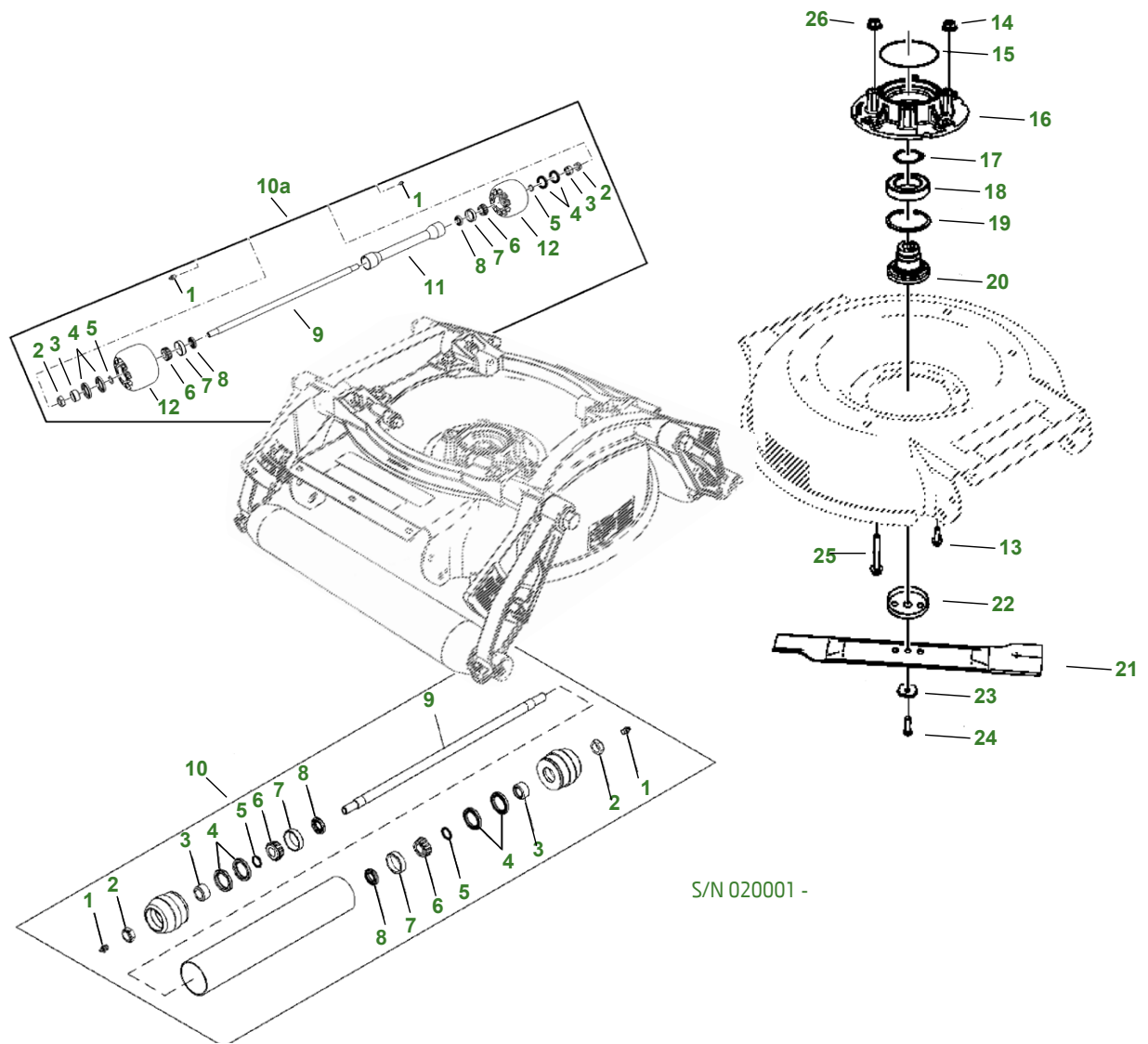
Key	Part No.	Description	Key	Part No.	Description
1	M806419	OIL FILTER ELEMENT - ENGINE	12	M811034	THERMOSTAT
2	RE69054	HYDRAULIC FILTER	13	CH15516	WATER TEMP SWITCH
3	RE68048	AIR FILTER ELEMENT - PRIMARY	14	AM117324	HEADLIGHT SWITCH
4	RE68049	AIR FILTER ELEMENT - SECONDARY	15	AM128925	REAR DRIVE CUTOUT SWITCH (4WD)
5	MIU800645	FUEL FILTER	16	TCA16430	MOW/TRANS SWITCH
6	M811032	FUEL SEPARATOR ELEMENT	17	M811461	MUFFLER
7	TY25876	BATTERY	18	RG60592	GASKET
8	AM125504	KEY	19	AM123508	FILLER CAP
9	TCA22740	SWITCH	20	TCA20991	TIE ROD END
10	AH208904	BULB - WORKLIGHT	21	TCA20992	TIE ROD END
11	TCU23131	BELT - FAN			

## Parts Needed in First 250 hours of Operation

Qty	Part No.	Item	Capacity	Interval In Hours
2	M806419	Engine Oil Filter		50/200
2	TY26675	Plus 50 15W40 Engine Oil - 2 1/2 gal	6.0 qt	50/200
1	RE69054	Hydraulic Filter		50
3	TY25083	John Deere Special Purpose Golf and Turf Cutting Unit Grease (14 oz) (Cutting Unit and Cutting Unit Attachments)		As Needed
3	TY6341	John Deere Multi-Purpose SD Polyurea Grease (14 oz) (Machine components, lift arms and rollers)		As Needed

\*Refer to Operators Manual for service intervals if using BioDiesel Fuel and Bio Hy-Gard.

# 8800 TerrainCut™ Rotary Deck

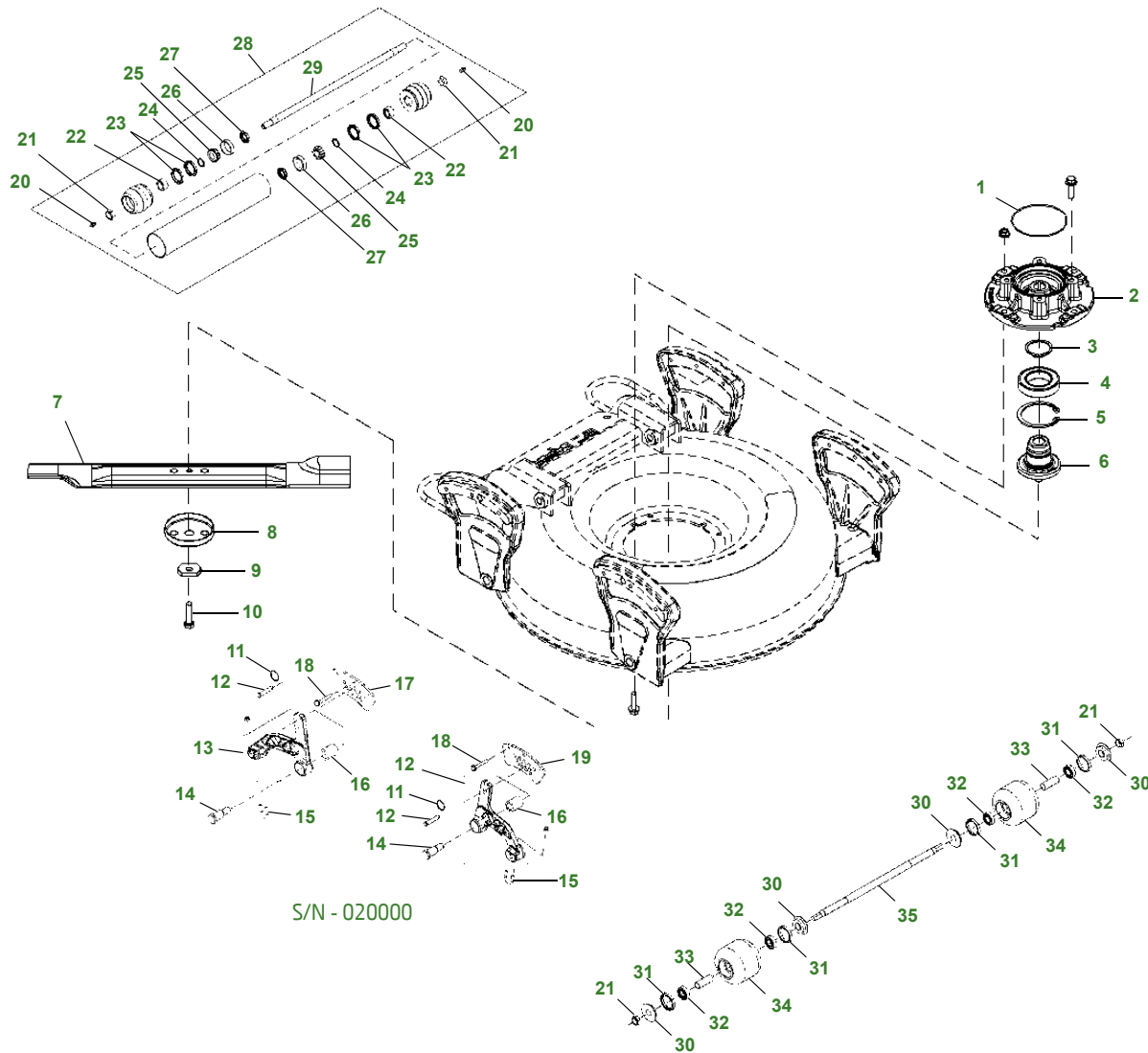


S/N 020001 -

Rough Intermediates and Surrounds

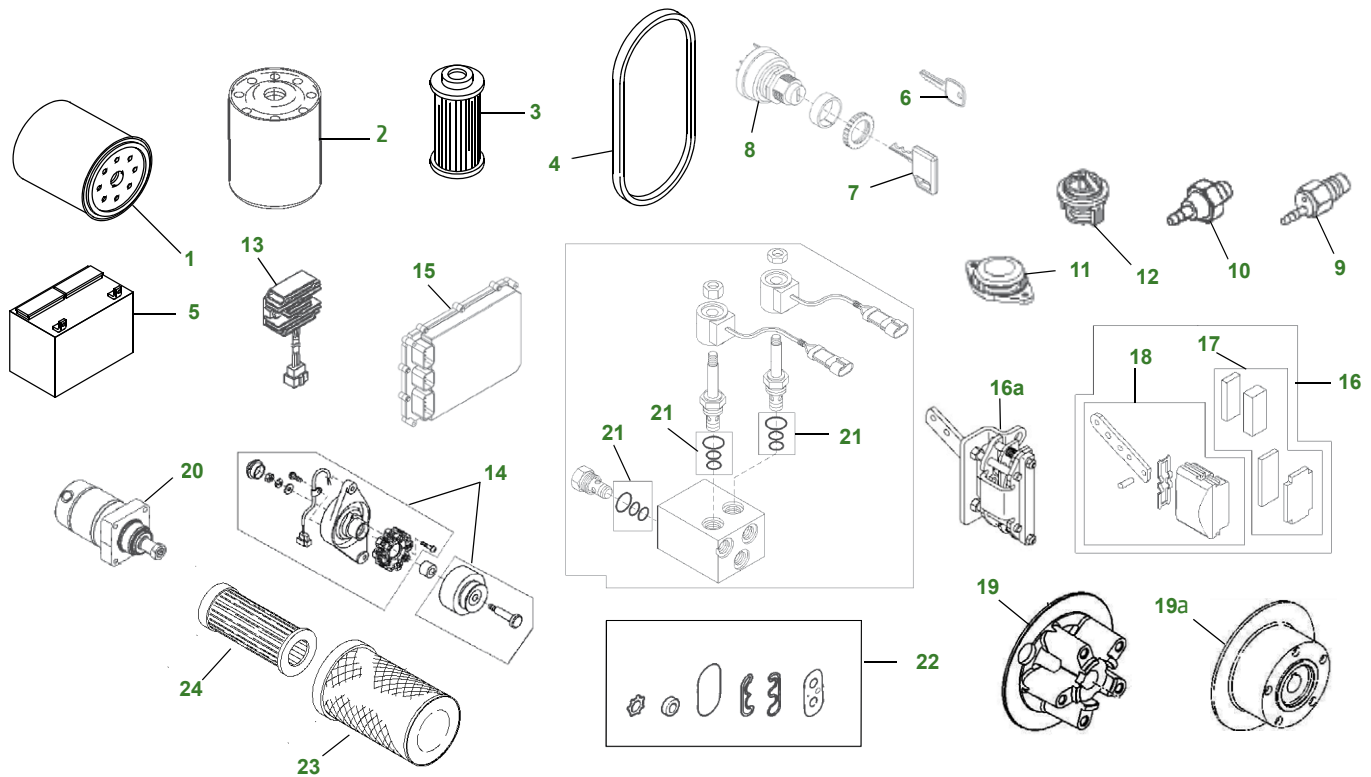
Key	Part No.	Description	Key	Part No.	Description
1	JD7759	.....LUBRICATION FITTING	14	14M7298	.....FLANGE NUT
2	N101345	.....LOCK NUT	15	H142234	.....O-RING
3	ET15726	.....SLEEVE	16	TCU25812	.....HOUSING
4	ET15755	.....SEAL	17	40M7058	.....SNAP RING
5	U46731	.....O-RING	18	JD8532	.....BALL BEARING
6	JD8188	.....BEARING CONE	19	40M7090	.....SNAP RING
7	JD8226	.....BEARING CUP	20	TCA16654	.....HUB
8	MT739	.....SEAL	21	GC00175	.....MOWER BLADE
9	TCU20818	.....SHAFT	22	TCU17052	.....SHIELD
10	TCA16183	.....ROLLER	23	M111784BLE	.....WASHER
10a	TCA19028	.....ROLLER	24	19H2633	.....CAP SCREW
11	TCA19375	.....SPACER	25	19M7810	.....SCREW
12	TCU25955	.....ROLLER	26	14M7296	.....FLANGE NUT
13	19M7868	.....SCREW			

# 8800 TerrainCut™ Rotary Deck (cont.)



Key	Part No.	Description	Key	Part No.	Description
1	H142234.....	O-RING	18	19M8092.....	SCREW
2	TCU21590.....	BEARING HOUSING W/O BEARING	19	TCU17062.....	PLATE
3	40M7058.....	SNAP RING	20	JD7759.....	LUBRICATION FITTING
4	JD8532.....	BALL BEARING	21	N101345.....	LOCK NUT
5	40M7090.....	SNAP RING	22	ET15726.....	SLEEVE
6	TCA16654.....	HUB	23	ET15755.....	SEAL
7	GC00175.....	MOWER BLADE	24	U46731.....	O-RING
8	TCU17052.....	SHIELD	25	JD8188.....	BEARING CONE
9	M111784BLE.....	WASHER	26	JD8226.....	BEARING CUP
10	19H2633.....	CAP SCREW	27	MT739.....	SEAL
11	M88183.....	RING	28	TCA16183.....	ROLLER - 76MM (3 INCH) SMOOTH
12	M43649.....	PIN FASTENER	29	TCU20818.....	SHAFT
13	TCA16651.....	BRACKET - RH	30	TCU18627.....	SPACER
	TCA16650.....	BRACKET - LH	31	U46283.....	SEAL
14	TCU20511.....	BOLT	32	M802917.....	BEARING
15	B10937.....	U-BOLT	33	TCU18628.....	SPACER
16	TCU20512.....	BUSHING	34	TCU18629.....	ROLLER
17	TCU17062.....	PLATE	35	TCU22209.....	SHAFT

# 2653B PrecisionCut™ Trim and Surround Mower



Key	Part No.	Description	Key	Part No.	Description
1	M806418	.....ENGINE OIL FILTER	15	TCA16744	.....CONTROL MODULE KIT
2	AM102723	.....HYDRAULIC OIL FILTER	16	AMT495	.....DISK BRAKE CALIPER ASSY (S/N -050000) RH
	LVU14258	.....HYDRAULIC OIL FILTER - SPIN ON		AMT496	.....DISK BRAKE CALIPER ASSY (S/N -050000) LH
3	M801101	.....FUEL FILTER ELEMENT	16a	TCA20251	.....DISK BRAKE CALIPER ASSY (S/N 050001-) RH
4	R81271	.....BELT - FAN (S/N -0201 19)		TCA20250	.....DISK BRAKE CALIPER ASSY (S/N0 50001-) LH
	LVU11659	.....BELT - FAN (S/N 020120-)	17	AMT442	.....KIT - BRAKE PADS (S/N -050000)
5	TY25876	.....BATTERY (DRY)	18	AMT444	.....LEVER BODY KIT - RH (S/N -050000)
6	AR51481	.....KEY		AMT441	.....LEVER BODY KIT - LH (S/N -050000)
7	AM125504	.....KEY - PADDED	19	TCU28817	.....DISK BRAKE HUB (S/N 050001-)
8	TCA22740	.....IGNITION SWITCH	19a	M122378	.....DISK BRAKE HUB (S/N -050000)
9	CH15516	.....TEMP SWITCH	20	AET11112	.....WHEEL MOTOR - FRONT
10	M809526	.....OIL PRESSURE SWITCH		TCA17053	.....WHEEL MOTOR - REAR
11	AET10449	.....OPERATOR PRESENCE SWITCH		AZ45116	.....GASKET KIT - FRONT/REAR WHEEL MOTOR
12	M811895	.....THERMOSTAT	21	AT224862	.....SEAL KIT - HYDRAULIC SOLENOID
13	AM126304	.....REGULATOR	22	AMT2679	.....REEL PUMP REPAIR KIT
14	AM879144	.....ALTERNATOR	23	M113621	.....AIR FILTER - PRIMARY
			24	M123378	.....AIR FILTER - SECONDARY

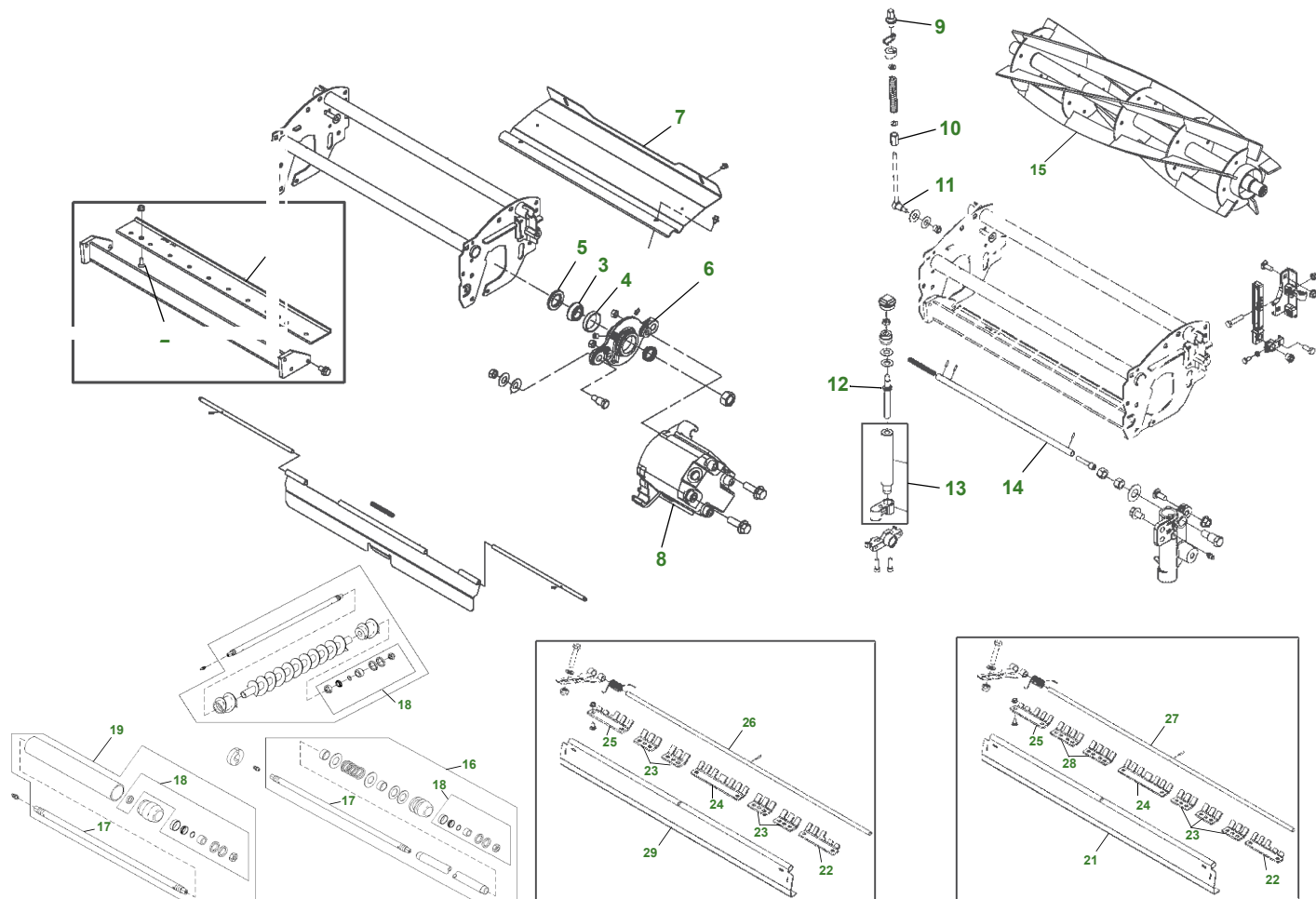
## Parts Needed in First 200 hours of Operation

Qty	Part No.	Item	Capacity	Interval In Hours
2	M806418	Engine Oil Filter		50/200
5	TY26674	Plus-50™ II 15W-40 Engine Oil - 1 qt	2.25 qt	50/200
5	TY26799	Torq-Gard™ Supreme 15W-40 Engine Oil - 1 qt	2.25 qt	50/200
1	AM102723	Hydraulic Oil Filter - Standard		50
1	LVU14258	Hydraulic Oil Filter - High Performance (optional)		50
6	TY6354	JD Hy-Gard™ Hydraulic Oil (J20C) - 1 gal	5.5 gal	50
3	TY25083	John Deere Special Purpose Golf & Turf Cutting Unit Grease (14 oz) (Cutting Unit and Cutting Unit Attachments)		As Needed
3	TY6341	John Deere Multi-Purpose SD Polyurea Grease (14 oz) (Machine components, lift arms and rollers)		As Needed

\*Refer to Operators Manual for service intervals if using BioDiesel Fuel and Bio Hy-Gard.

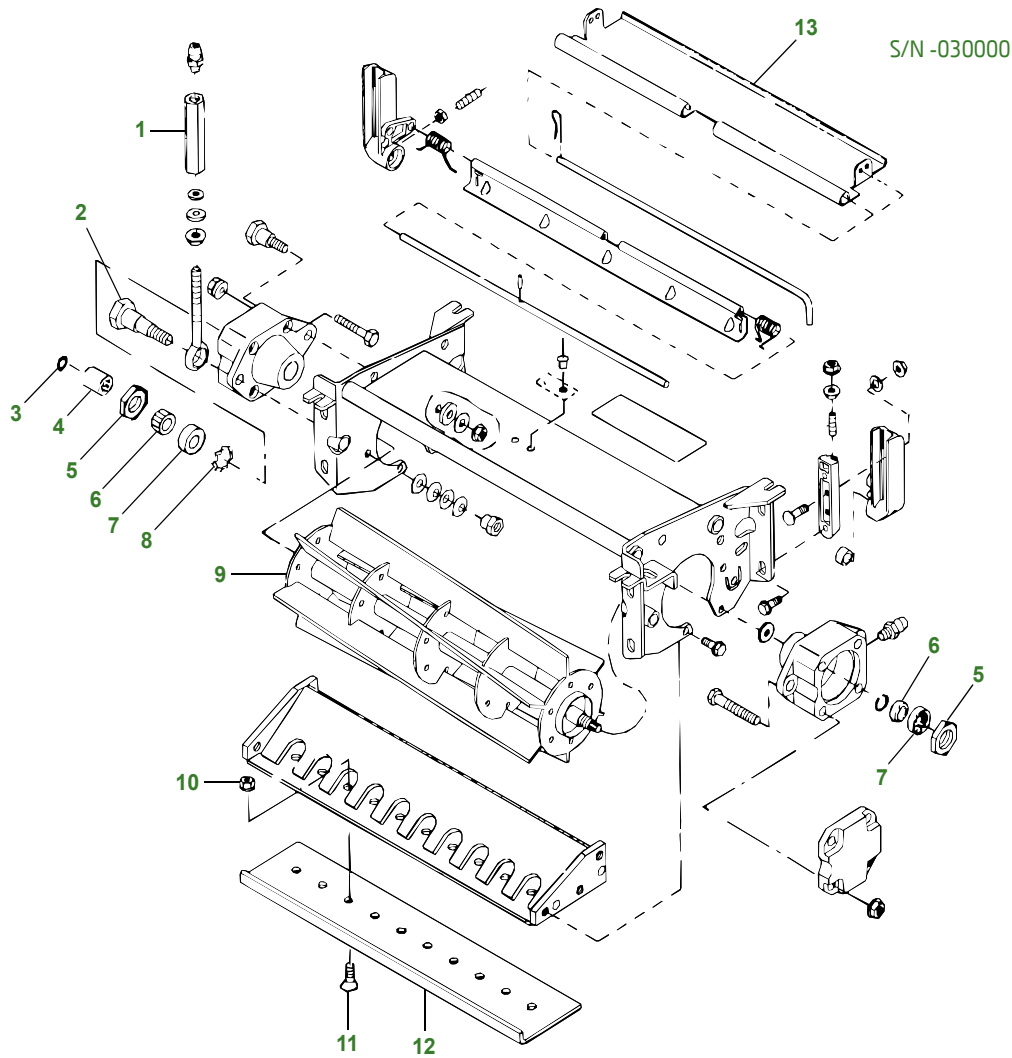
# 2653B PrecisionCut™ 26 in. & 30 in. QA7 Reels and Bedknives

Rough Intermediates and Surrounds



Key	Part No.	Description	Key	Part No.	Description	
1	ET17752	BEDKNIFE - STANDARD - 26 in.		TCA19357	REEL - 5-BLADE - 30 in. - USE W/BM22467	
	TCU34070	BEDKNIFE - LESS AGGRESSIVE HARDENED INSERT - 26 in.		TCA19356	REEL - 8-BLADE - 26 in. - USE W/BM22466	
	MT6949	BEDKNIFE - TOURNAMENT - 26 in. (STD)		TCA19358	REEL - 8-BLADE - 30 in. - USE W/ BM22468	
	MT1973	BEDKNIFE - STANDARD - 30 in.	16	AMT2968	ROLLER - GROOVED - 26 in.	
2	19M7573	SCREW - M8 - (12)	17	ET17514	SHAFT - 26 in.	
3	JD8933	BEARING CONE		MT1986	SHAFT - 30 in.	
4	JD8253	BEARING CUP	18	AET10632	SEAL KIT	
5	TCU25266	SEAL	19	AMT2969	ROLLER - SMOOTH - 26 in.	
6	TCU25980	BEARING HOUSING W/O BEARINGS - LH		AMT2976	ROLLER - SMOOTH - 30 in.	
	TCU25979	BEARING HOUSING W/O BEARINGS - RH	20	AMT2468	ROLLER - SPIRAL - 26 in.	
7	TCA19174	SHIELD - 26 in.		AMT2469	ROLLER - SPIRAL - 30 in.	
	TCA19175	SHIELD - 30 in.		AMT1287	ROLLER - SPRIAL GROOVED END CAPS - 26 in.	
8	TCA22472	CUTTING UNIT MOTOR		AMT1288	ROLLER - SPRIAL GROOVED END CAPS - 30 in.	
	TCA19115	CUTTING UNIT MOTOR SEAL KIT	21	TCU27070	SCRAPER - 30 in.	
9	TCU24955	ADJUSTER	22	MT5159	SCRAPER	
10	TCU26315	ADJUSTER	23	MT2342	SCRAPER	
11	TCU25317	ADJUSTER	24	MT2340	SCRAPER	
12	TCU26123	ADJUSTER	25	MT5158	SCRAPER	
13	TCA19331	ADJUSTER	26	ET17758	ROD - 26 in.	
14	TCU29056	TUBE - 26 in.		27	MT1982	ROD - 30 in.
	TCU26741	TUBE - 30 in.		28	MT2341	SCRAPER
15	TCA19355	REEL - 5-BLADE - 26 in. - USE W/BM22465	29	TCU27069	SCRAPER - 26 in.	

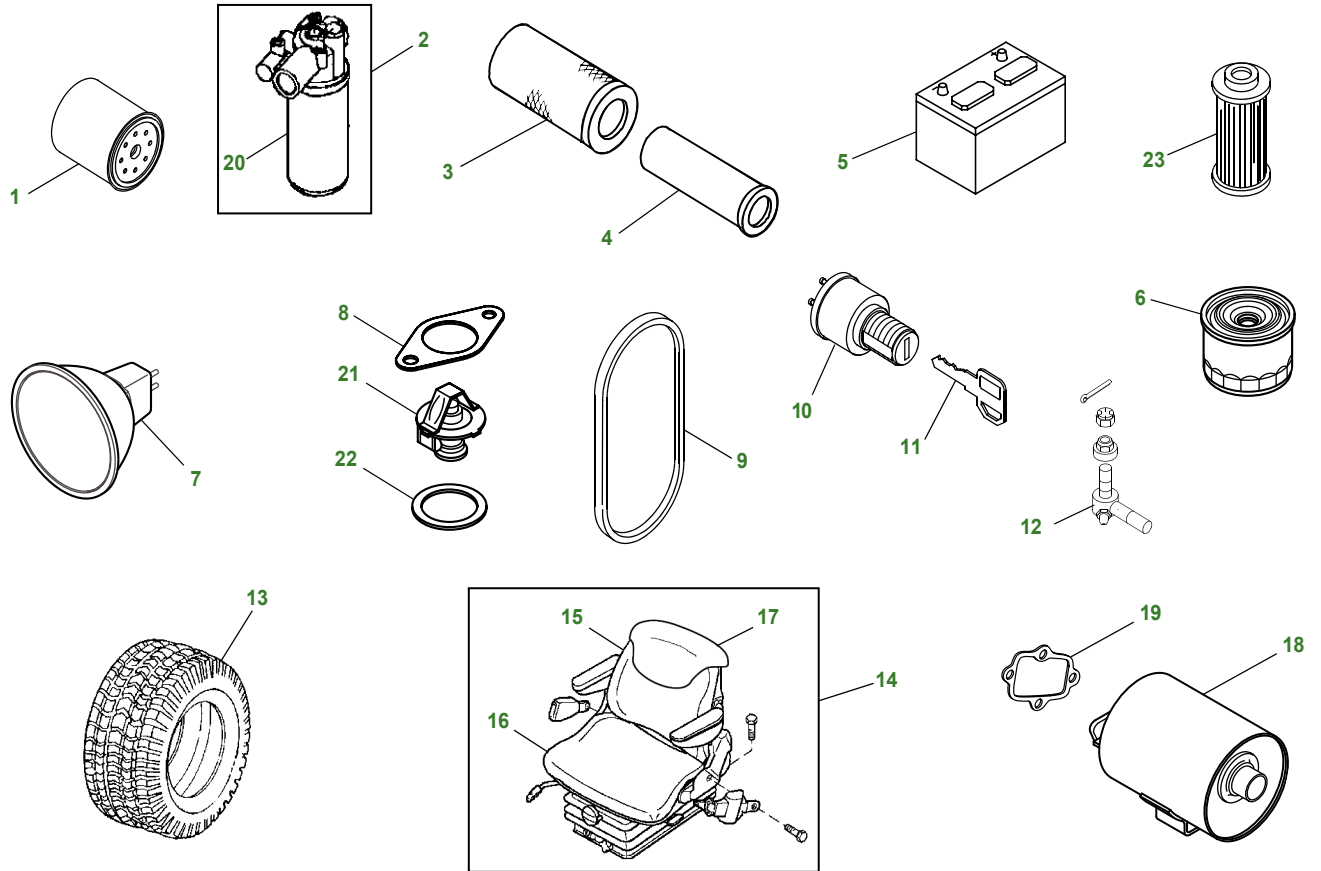
# 2653B PrecisionCut™ 26 in. & 30 in. ESP Cutting Unit



Rough Intermediates and Surrounds

Key	Part No.	Description	Key	Part No.	Description
1	AMT2965	ADJUSTER	10	14M7396	NUT
2	ET16896	BOLT	11	19M7573	SCREW (10) - (BM18569/BM18570)
3	MT2745	SNAP RING	12	19M7573	SCREW (12) - (BM18436/BM18437)
4	TCA12581	SPLINED COUPLING	13	ET17752	BEDKNIFE - 26 in. STANDARD
5	P48362	LOCK NUT		MT1973	BEDKNIFE - 30 in. STANDARD
6	JD8960	BEARING CONE		MT6949	BEDKNIFE - 26 in. TOURNAMENT
7	JD8239	BEARING CUP		TCU34070	BEDKNIFE - 26 in. HARDENED LESS AGGRESSIVE
8	ET17510	SPRING		ET17754	DEFLECTOR - 26 in.
9	AMT2870	REEL - 5-BLADE - 26 in.		MT1979	DEFLECTOR - 30 in.
	AMT2888	REEL - 5-BLADE - 30 in.			
	AMT2871	REEL - 8-BLADE - 26 in.			
	AMT2890	REEL - 8-BLADE - 30 in.			

# 1600 Turbo / 1600 Turbo Series II Wide Area Mower



Rough Intermediates and Surrounds

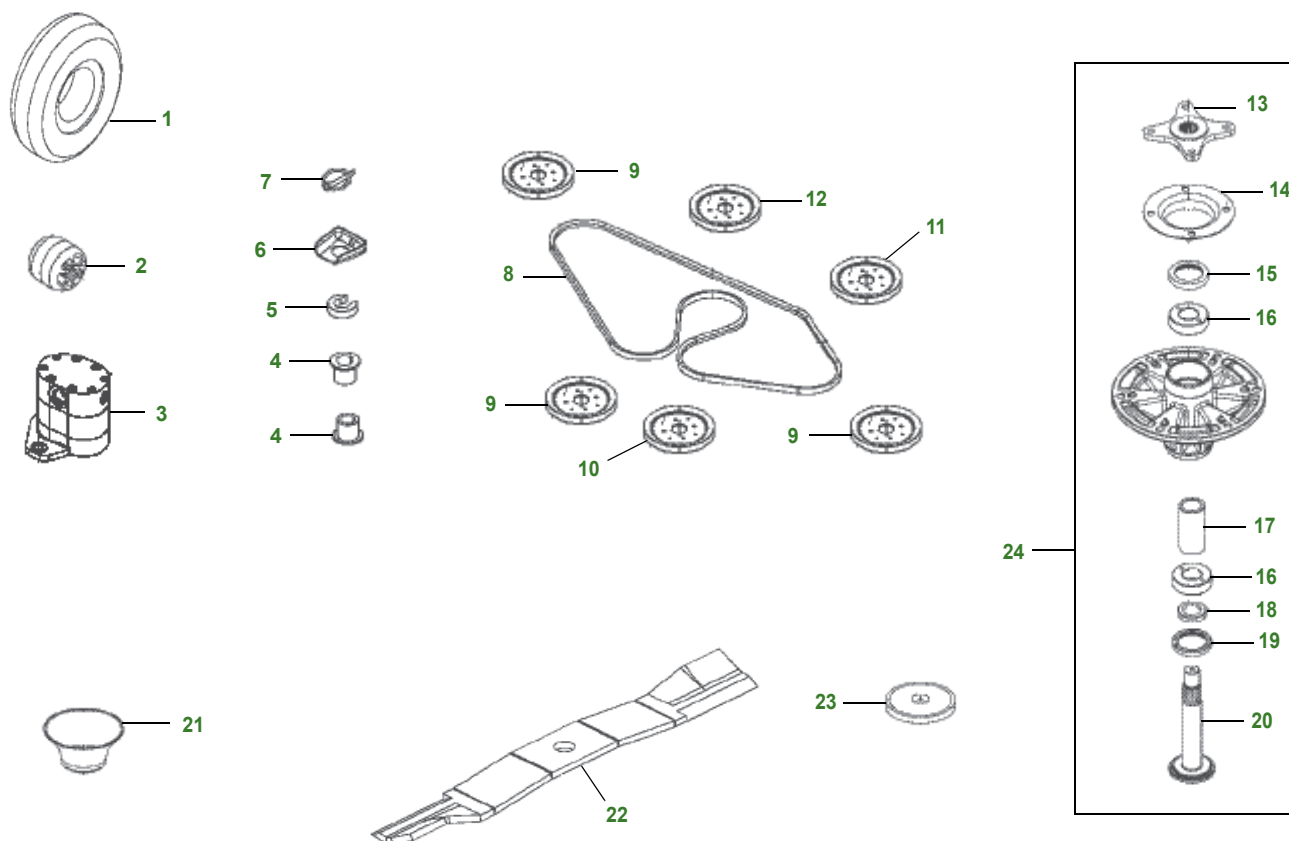
Key	Part No.	Description	Key	Part No.	Description
1	M806419	OIL FILTER - ENGINE	13	TCU20390	TIRE - FRONT
2	TCA51116	HYDRAULIC OIL FILTER (COMPLETE)	14	TCU20391	TIRE - REAR
3	AP33330	AIR FILTER PRIMARY	15	TCA19982	SEAT-DRIVER
4	AP33331	AIR FILTER SECONDARY	16	AL117331	SEAT-CUSHION (BACK)
5	TY25272	BATTERY	17	AL117332	SEAT-CUSHION (BOTTOM)
6	MIU800645	FUEL FILTER - 1600 TURBO II	18	AL77888	SEAT-EXTENSION (BACK)
7	TCU15371	HEADLIGHT BULB	19	M810348	MUFFLER - 1600 TURBO
8	M805834	GASKET - UPPER		MIU800429	MUFFLER - 1600 TURBO II
9	M809983	FAN BELT - 1600 TURBO		RG60787	GASKET - 1600 TURBO
	M801821	FAN BELT - 1600 TURBO II		M811502	GASKET - 1600 TURBO II
10	TCA22740	SWITCH - IGNITION	20	AL77061	HYDRAULIC OIL FILTER
11	AM131841	KEY - IGNITION	21	M811034	THERMOSTAT
12	AM878081	KIT - TIE ROD - RH	22	M805835	GASKET - LOWER
	AM878082	KIT - TIE ROD - LH	23	T111383	FUEL FILTER - 1600 TURBO

## Parts Needed in First 200 hours of Operation

Qty	Part No.	Item	Capacity	Interval In Hours
2	M806419	Oil Filter		50/200
2	TY26675	JD Plus-50™ 15W-40 Engine Oil - 1600 Turbo - 2 1/2 gal	7.8 qt	50/200
1	TY26804	Torq-Gard™ Supreme 5W-30 Engine Oil - 1600 Turbo II - 5 gal	7.8 qt	50/200
1	AL77061	Hydraulic Oil Filter		50
3	TY6341	Multi Purpose SD Polyurea Grease (14 oz)		As Needed

\*Refer to Operators Manual for service intervals if using BioDiesel Fuel and Bio Hy-Gard.

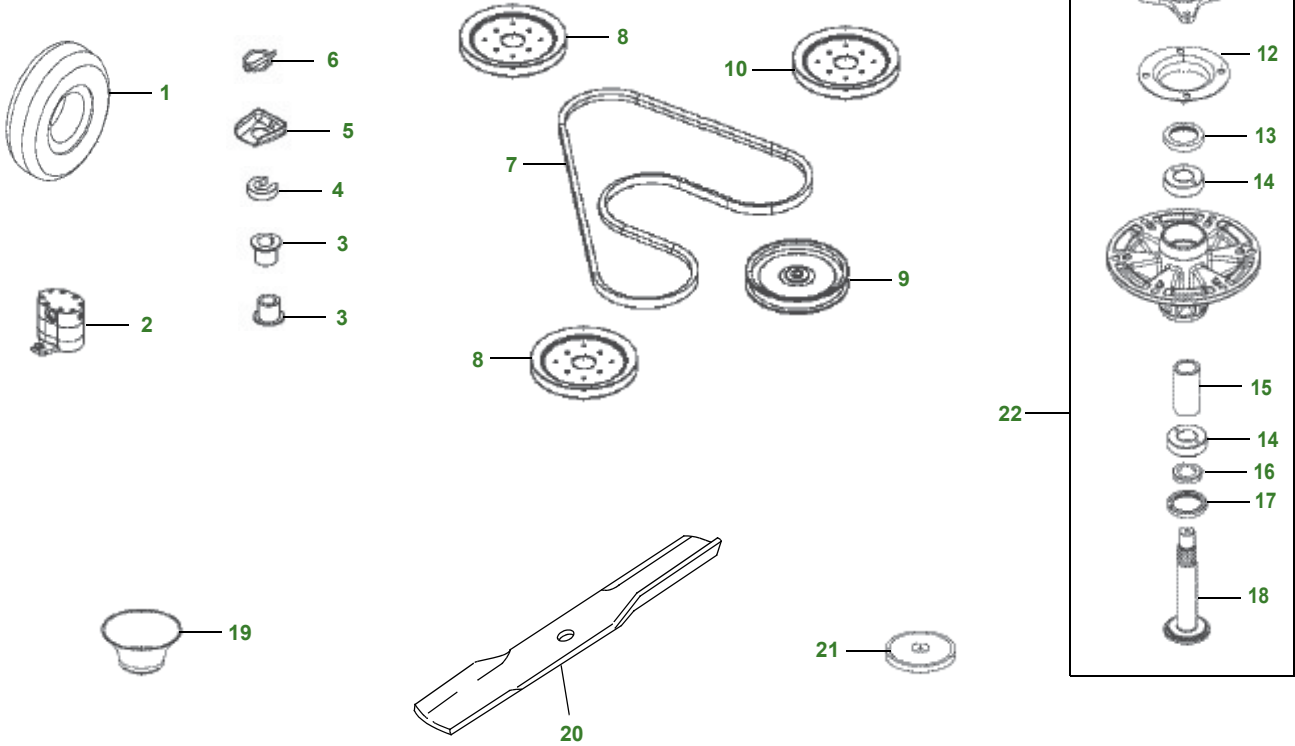
# 1600 Turbo / 1600 Turbo Series II 62 in. Front-Mount Rear Discharge Deck



Rough Intermediates and Surrounds

Key	Part No.	Description	Key	Part No.	Description
1	AM101589	CASTER WHEEL ASSY (S/N -010100) - 1600 TURBO	9	TCU31399	PULLEY
	TCA13832	CASTER WHEEL ASSY (S/N 010101-) - 1600 TURBO	10	TCA20656	BELT IDLER
	TCA13832	CASTER WHEEL ASSY (S/N -090000) - 1600 TURBO II	11	AN15237	IDLER
	TCA20363	CASTER WHEEL ASSY (S/N 090001-) - 1600 TURBO II	12	TCA51121	PULLEY
2	M115245	ROLLER	13	TCU14182	HUB
3	TCA19935	HYDRAULIC MOTOR	14	TCU51223	DEFLECTOR
4	M83541	BUSHING (TOP & BOTTOM)	15	M85699	SEAL
5	M85178	SPACERS	16	M88251	BALL BEARING
6	TCU51773	GUARD	17	M127517	SPACER
7	M115827	QUICK LOCK PIN	18	M133398	BUSHING
8	TCU14537	BELT (CENTER) - 1600 TURBO	19	M127198	SEAL
	TCU14537	BELT (CENTER) - (S/N -100006) - 1600 TURBO II	20	M134382	SPINDLE
	TCU31159	BELT (CENTER) - (S/N 100007-) - 1600 TURBO II	21	M134305	DEFLECTOR
			22	TCU51118	BLADE (STD)
				M144935	BLADE (MULCH)
			23	M123522	WASHER
			24	TCA51058	SPINDLE (COMPLETE)

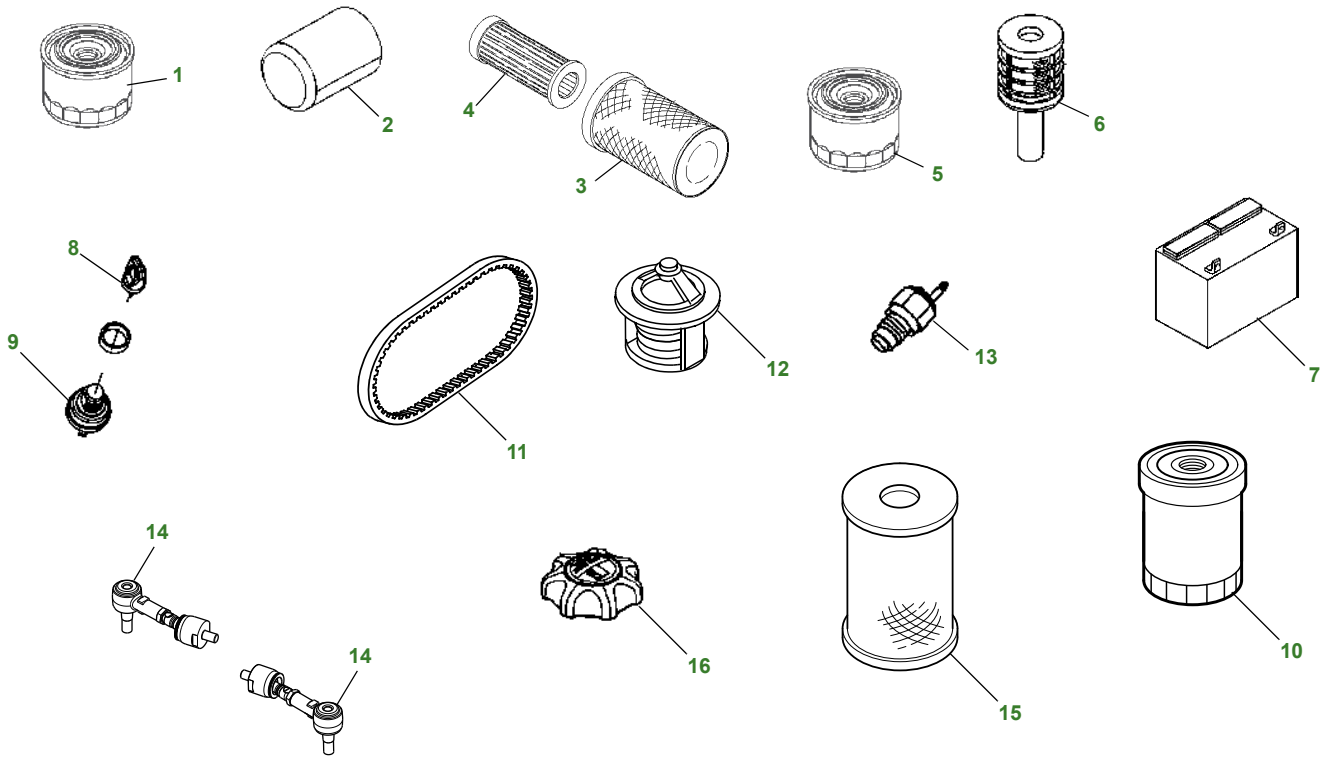
# 1600 Turbo / 1600 Turbo Series II 42 in. Front-Mount Rear Discharge Deck



Rough Intermediates and Surrounds

Key	Part No.	Description	Key	Part No.	Description
1	AM101589	CASTER WHEEL ASSY (S/N -010100) - 1600 TURBO	9	TCA20656	BELT IDLER
	TCA13832	CASTER WHEEL ASSY (S/N 010101-) - 1600 TURBO	10	TCA51121	PULLEY (L & R DECKS)
	TCA13832	CASTER WHEEL ASSY (S/N -090000) - 1600 TURBO II	11	TCU14182	HUB
	TCA20363	CASTER WHEEL ASSY (S/N 090001-) - 1600 TURBO II	12	TCU51223	DEFLECTOR
2	TCA19935	HYDRAULIC MOTOR	13	M85699	SEAL
3	M83541	BUSHING (TOP & BOTTOM)	14	M88251	BALL BEARING
4	M85178	SPACERS	15	M127517	SPACER
5	TCU51773	GUARD	16	M133398	BUSHING
6	M115827	QUICK LOCK PIN	17	M127198	SEAL
7	TCU14539	BELT (L WING DECK)	18	M134382	SPINDLE
	TCU14538	BELT (R WING DECK)	19	M134305	DEFLECTOR
8	TCU31399	PULLEY (L & R DECKS)	20	TCU51118	BLADE (STD)
				M144935	BLADE (MULCH)
			21	M123522	WASHER
			22	TCA51058	SPINDLE - (COMPLETE)

# 7500A / 7700A / 8700A PrecisionCut™ Mower



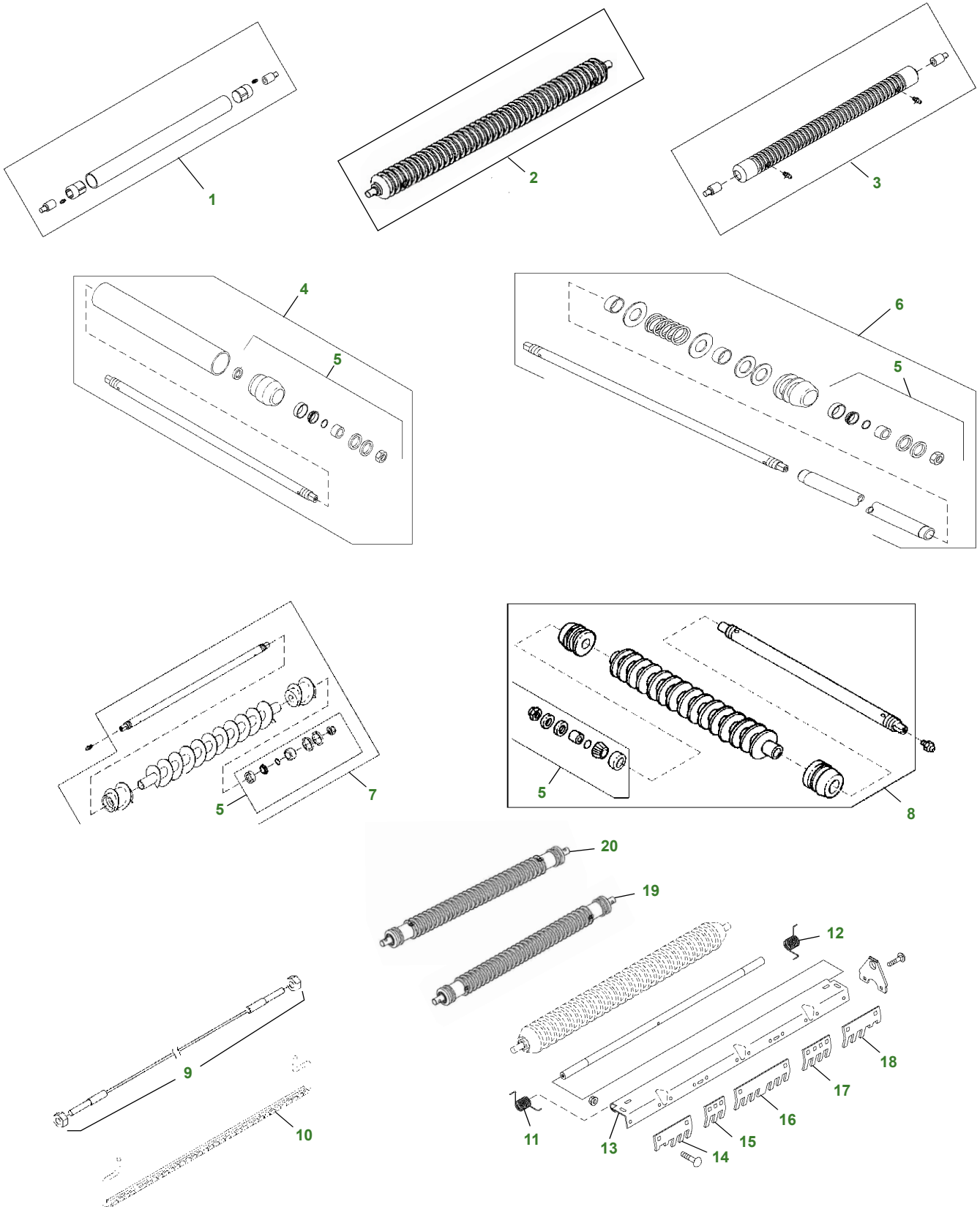
Key	Part No.	Description	Key	Part No.	Description
1	M806419	OIL FILTER ELEMENT - ENGINE		TCU30780	BELT - FAN - TIER 4
2	RE69054	HYDRAULIC FILTER	12	M811034	THERMOSTAT
3	RE68048	AIR FILTER ELEMENT - PRIMARY	13	CH15516	WATER TEMP SWITCH
4	RE68049	AIR FILTER ELEMENT - SECONDARY	14	TCA23641	TIE ROD END
5	MIU800645	FUEL FILTER	15	MIU802421	FUEL FILTER - PRIMARY - TIER 4
6	M811032	FUEL SEPARATOR ELEMENT	16	TCA24601	FILLER CAP
7	TY25876	BATTERY			
8	AM125504	KEY			
9	TCA22740	SWITCH			
10	MIU803127	FUEL FILTER - FINAL - TIER 4			
11	TCU38089	BELT - FAN			

## Parts Needed in First 200 hours of Operation

Qty	Part No.	Item	Capacity	Interval In Hours
2	M806419	Engine Oil Filter		50/200
3	TY26673	Plus-50™ II 15W-40 Engine Oil - 1 gal	6.0 qt (8700A)	50/200
3	TY26673	Plus-50™ II 15W-40 Engine Oil - 1 gal	5.6 qt (7500A / 7700A)	50/200
1	RE69054	Hydraulic Filter		50
3	TY25083	John Deere Special Purpose Golf and Turf Cutting Unit Grease (14 oz) (Cutting Unit and Cutting Unit Attachments)		As Needed
3	TY6341	John Deere Multi-Purpose SD Polyurea Grease (14 oz) (Machine components, lift arms and rollers)		As Needed

\*Refer to Operators Manual for service intervals if using BioDiesel Fuel and Bio Hy-Gard.

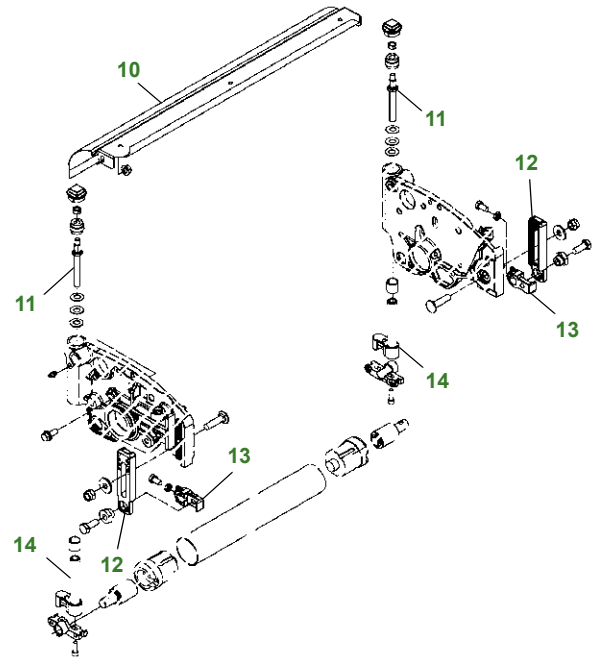
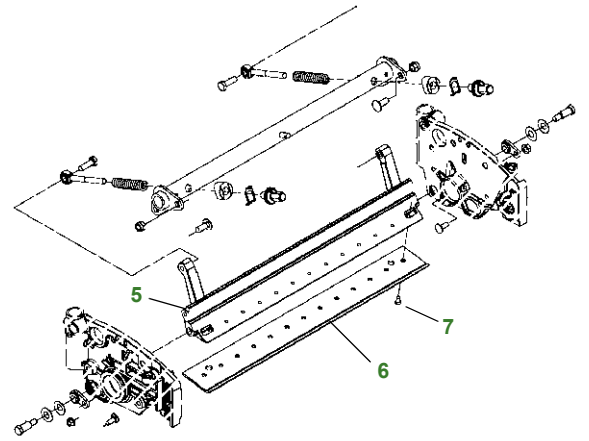
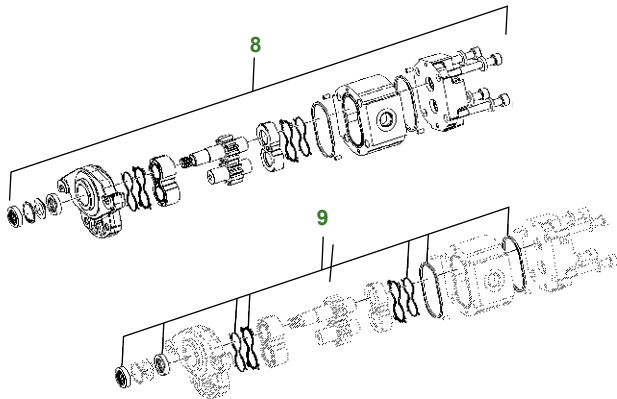
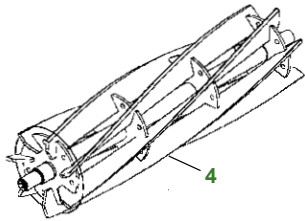
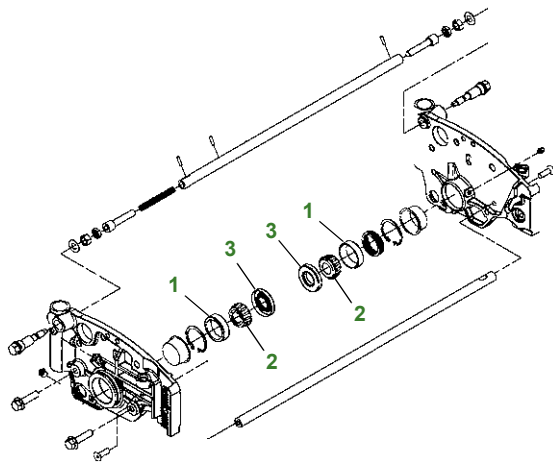
# 7500A PrecisionCut™ Cutting Unit Rollers



# 7500A PrecisionCut™ Cutting Unit Rollers (Continued)

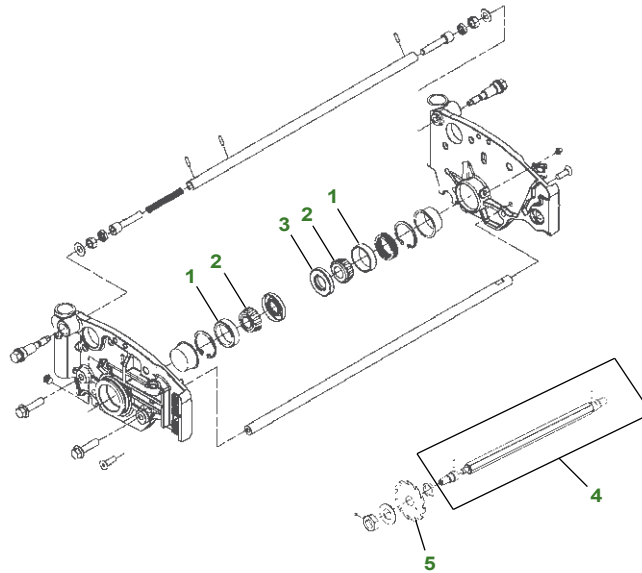
Key	Part No.	Description	Key	Part No.	Description
1	AMT2876	ROLLER - SMOOTH TUBE (2 in.)	11	ET17629	TORSION SPRING - LH
	AMT2878	ROLLER - SMOOTH SOLID (2 in.)	12	ET17630	TORSION SPRING - RH
2	AMT2880	ROLLER - MACHINED SPIRAL (2 in.)	13	MT2369	SCRAPER
	AMT2875	ROLLER - GROOVED (22.5 in.)	14	MT5159	SCRAPER - LH END
	AMT2877	ROLLER - GROOVED (23.25 in.)	15	MT2342	SCRAPER - 3 TOOTH
3	AMT2879	ROLLER - EXTENDED GROOVED (2 in.)	16	MT2340	SCRAPER - CENTER
4	AMT2967	ROLLER - SMOOTH (3 in.)	17	MT2341	SCRAPER - 4 TOOTH
5	AET10632	SEAL KIT	18	MT5158	SCRAPER - RH END
6	AMT2966	ROLLER - DISK (3 in.)	19	BM23566	ROLLER - MACHINED SPIRAL (2 in.)
7	AMT2467	ROLLER - CONTINUOUS SPIRAL (3 in.)	20	BTC10267	ROLLER - MACHINED GROOVED (2 in.)
8	AMT1286	ROLLER - GROOVED END SPIRAL (3 in.)			
9	BM22995	SCRAPER - SMOOTH ROLLER			
10	TCA19547	SCRAPER - GROOVED (22 X 2 in.)			

# 7500A PrecisionCut™ Reel Cutting Unit



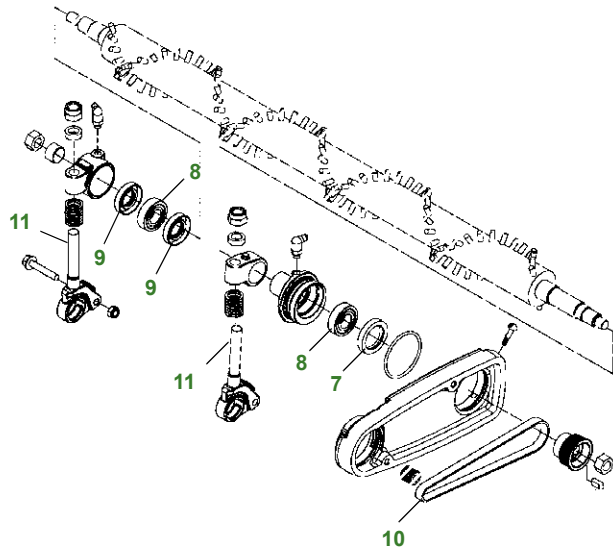
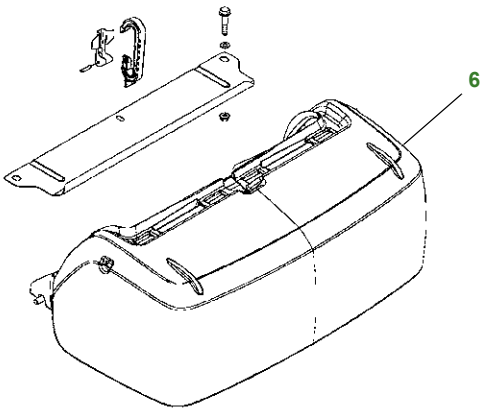
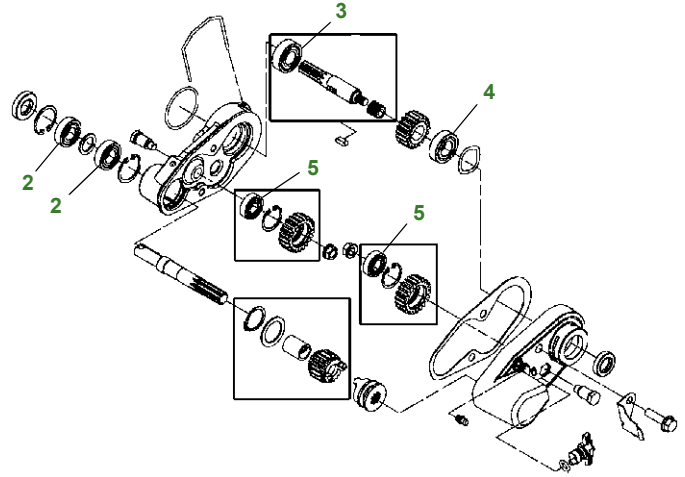
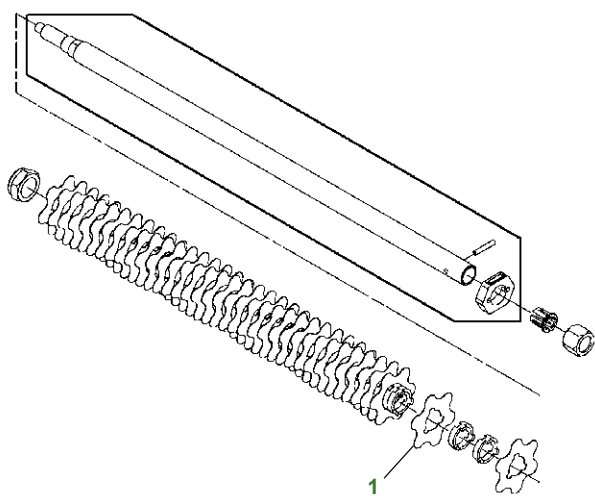
Key	Part No.	Description	Key	Part No.	Description
1	JD8226	.....BEARING CUP		TCU36165	.....BEDKNIFE - HARDENED LESS
2	JD8188	.....BEARING CONE			AGGRESSIVE LOW-CUT
3	ET14566	.....SEAL	7	21M7194	.....SCREW
4	TCA19350	.....REEL - 7-BLADE	8	TCA22474	.....HYDRAULIC MOTOR
	TCA19351	.....REEL - 11-BLADE	9	TCA19114	.....SEAL KIT
5	TCU24332	.....SHOE	10	TCA19624	.....SHIELD
6	ET17533	.....BEDKNIFE - STANDARD	11	TCU24328	.....ADJUSTER
	ET17534	.....BEDKNIFE - TOURNAMENT	12	TCU24460	.....BRACKET
	ET17532	.....BEDKNIFE - FAIRWAY LOW-CUT -	13	TCU24461	.....BRACKET
		7-BLADE	14	TCA18706	.....ADJUSTER
	ET17767	.....BEDKNIFE - FAIRWAY HI-CUT			
	MT7351	.....BEDKNIFE - LOW-CUT - 11-BLADE			
	ET11066	.....BEDKNIFE - 3.0 mm W/HARDENED			
		INSERT			

# 7500A PrecisionCut™ Vertical Cutting Unit



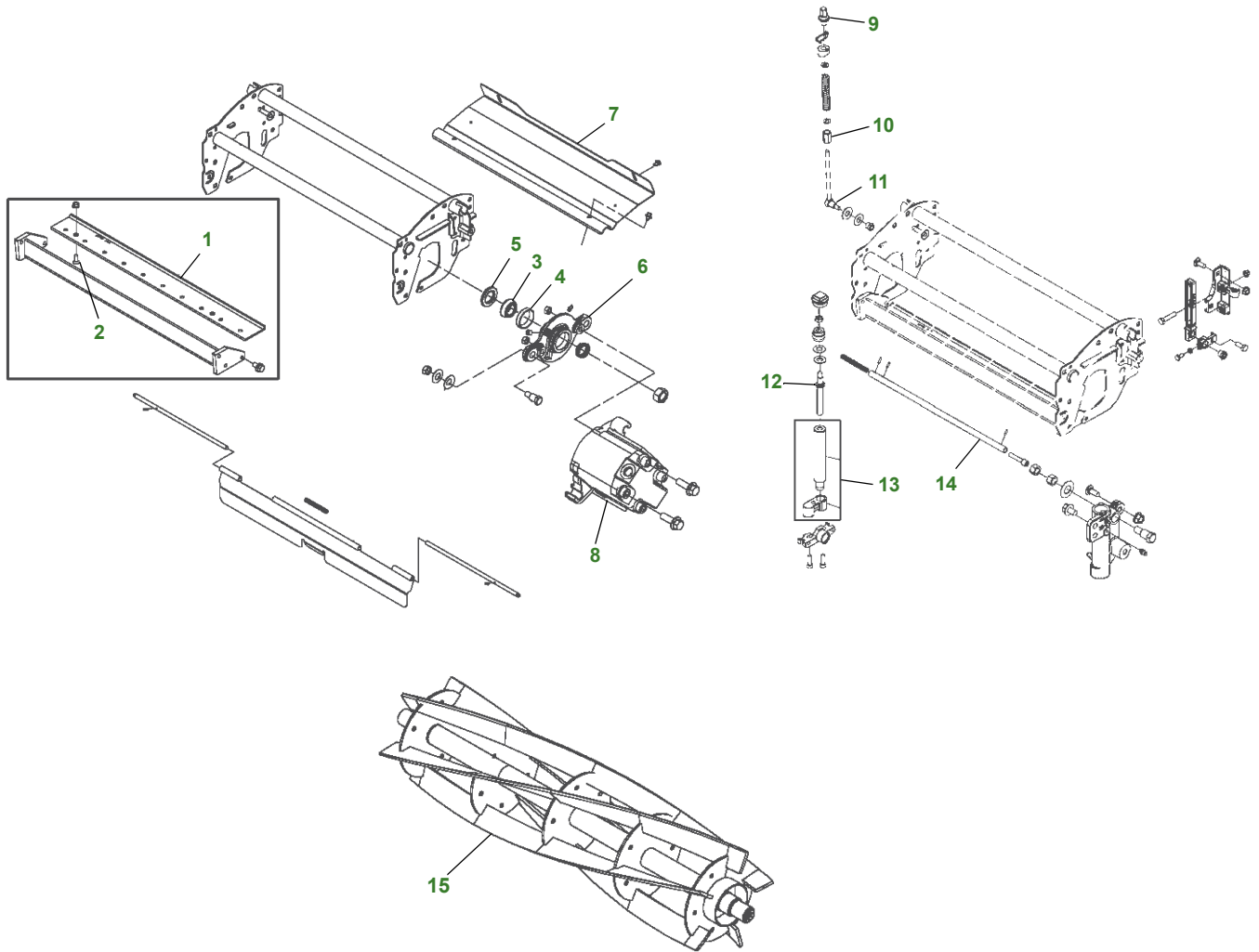
Key	Part No.	Description	Key	Part No.	Description
1	JD8226	.....BEARING CUP	4	TCA19344	.....SHAFT
2	JD8188	.....BEARING CONE	5	TCU26776	.....KNIFE
3	ET14566	.....SEAL			

# 7500A PrecisionCut™ FTC, Rear Brush and Grass Catcher



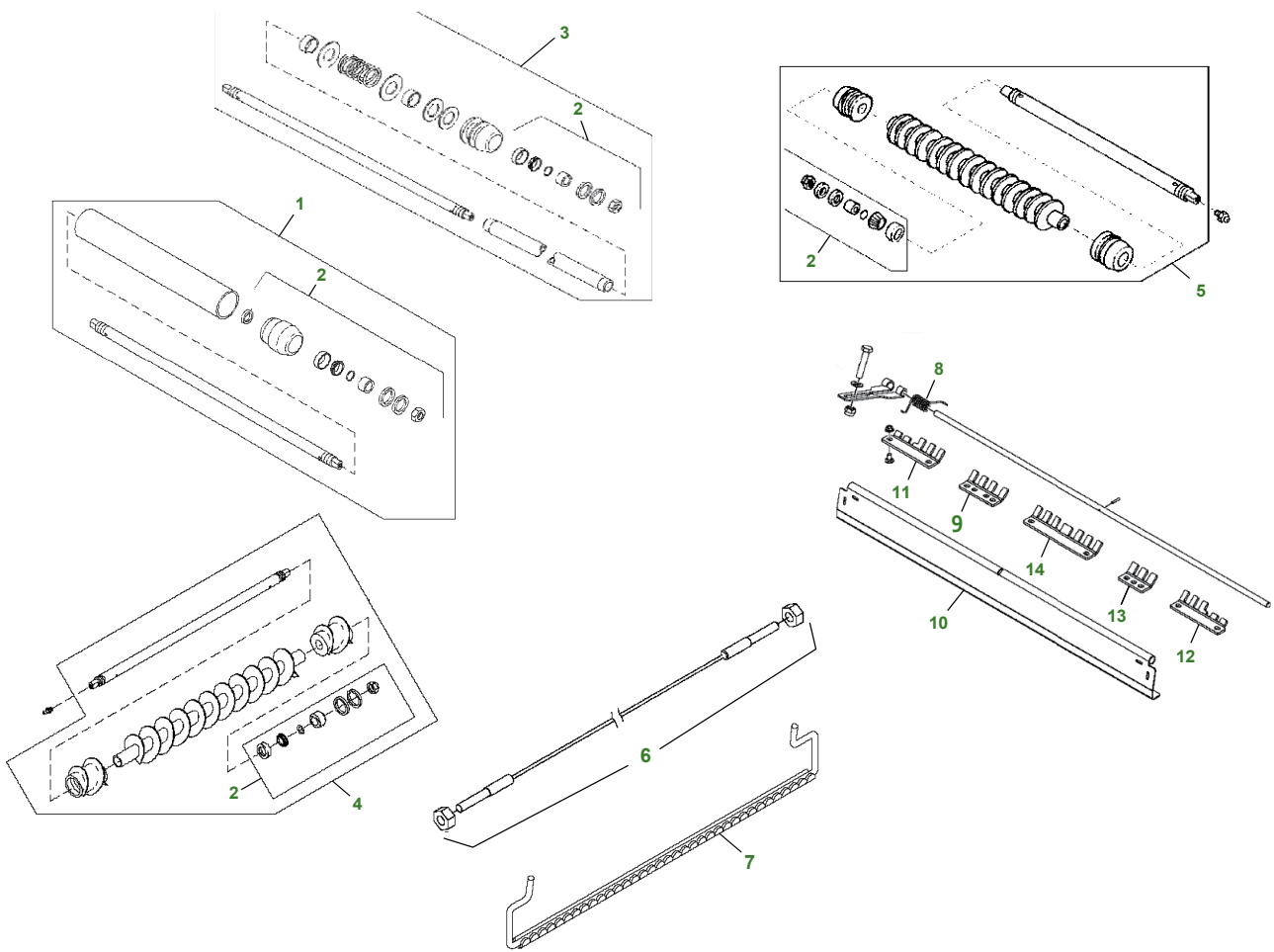
Key	Part No.	Description	Key	Part No.	Description
1	MT2624	.....KNIFE	7	TCU24983	.....SEAL
2	TCU24834	.....BALL BEARING	8	TCU24834	.....BALL BEARING
3	M802355	.....BEARING	9	MT6828	.....SEAL
4	JD8653	.....BALL BEARING	10	TCU32422	.....SYNCHRONOUS BELT
5	ET16027	.....BALL BEARING	11	TCU24826	.....BRACKET
6	BTC10718	.....GRASS CATCHER - LOW PROFILE			
	BTC10719	.....GRASS CATCHER - HIGH PROFILE			

# 7700A / 8700A PrecisionCut™ Reel Cutting Unit



Key	Part No.	Description	Key	Part No.	Description	
1	ET17751	BEDKNIFE - STANDARD	7	TCA19173	SHIELD	
	MT1928	BEDKNIFE - TOURNAMENT - LOW-CUT FAIRWAY		8	TCA22475	HYDRAULIC MOTOR
	MT3983	BEDKNIFE - TOURNAMENT - ULTRA LOW-CUT			TCA19115	SEAL KIT
	TCU32581	BEDKNIFE - LESS AGGRESSIVE HARDENED INSERT			9	TCU24955
2	19M7573	SCREW - M8 - (9)	10		TCU26315	ADJUSTER
	3	JD8933	BEARING CONE	11	TCU25317	ADJUSTER
4	JD8253	BEARING CUP	12	TCU26123	ADJUSTER	
5	TCU25266	SEAL	13	TCA19331	ADJUSTER	
6	TCU25980	BEARING HOUSING W/O BEARINGS - LH	14	TCU26729	TUBE	
	TCU25979	BEARING HOUSING W/O BEARINGS - RH	15	TCA19353	REEL - 8-BLADE	
				TCA19354	REEL - 10-BLADE	

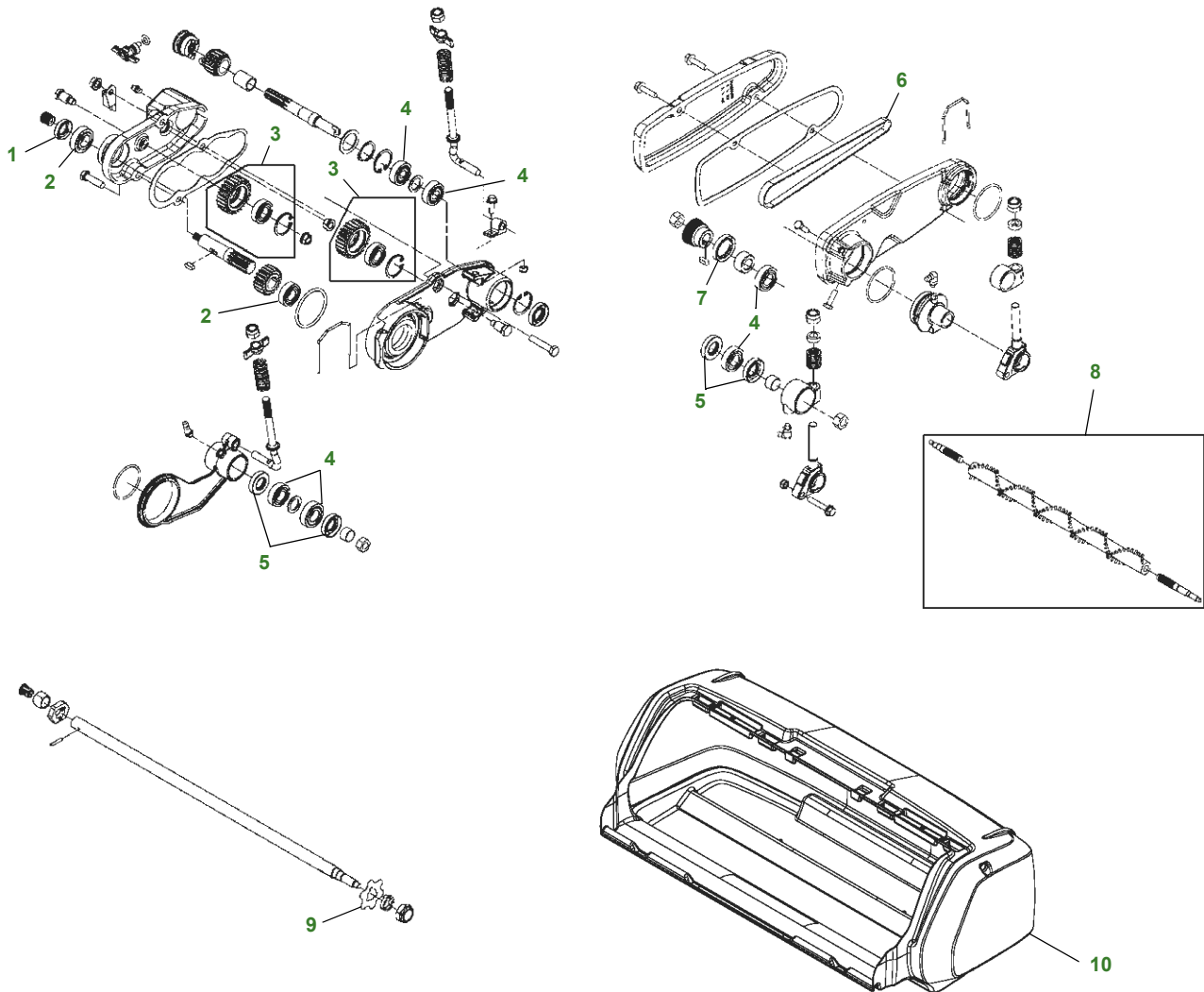
# 7700A / 8700A PrecisionCut™ Cutting Unit Rollers



Fairway Mowers

Key	Part No.	Description	Key	Part No.	Description
1	AMT2967	ROLLER - SMOOTH (3 in.)	11	MT5158	SCRAPER - RH END
2	AET10632	SEAL KIT	12	MT5159	SCRAPER - LH END
3	AMT2966	ROLLER - DISK (3 in.)	13	MT2342	SCRAPER - GROOVED SPIRAL ROLLER - 3 TOOTH
4	AMT2467	ROLLER - CONTINUOUS SPIRAL (3 in.)	14	MT2340	SCRAPER - CENTER
5	AMT1286	ROLLER - GROOVED END SPIRAL (3 in.)			
6	BM22995	SCRAPER - SMOOTH ROLLER			
7	AMT1087	SCRAPER (USE WITH AMT2875 GROOVED)			
	AMT1342	SCRAPER (USE WITH AMT2877 EXT GROOVED)			
8	TCU27037	TORSION SPRING - LH			
9	MT2341	SCRAPER - 4 TOOTH			
10	TCU27038	SCRAPER			

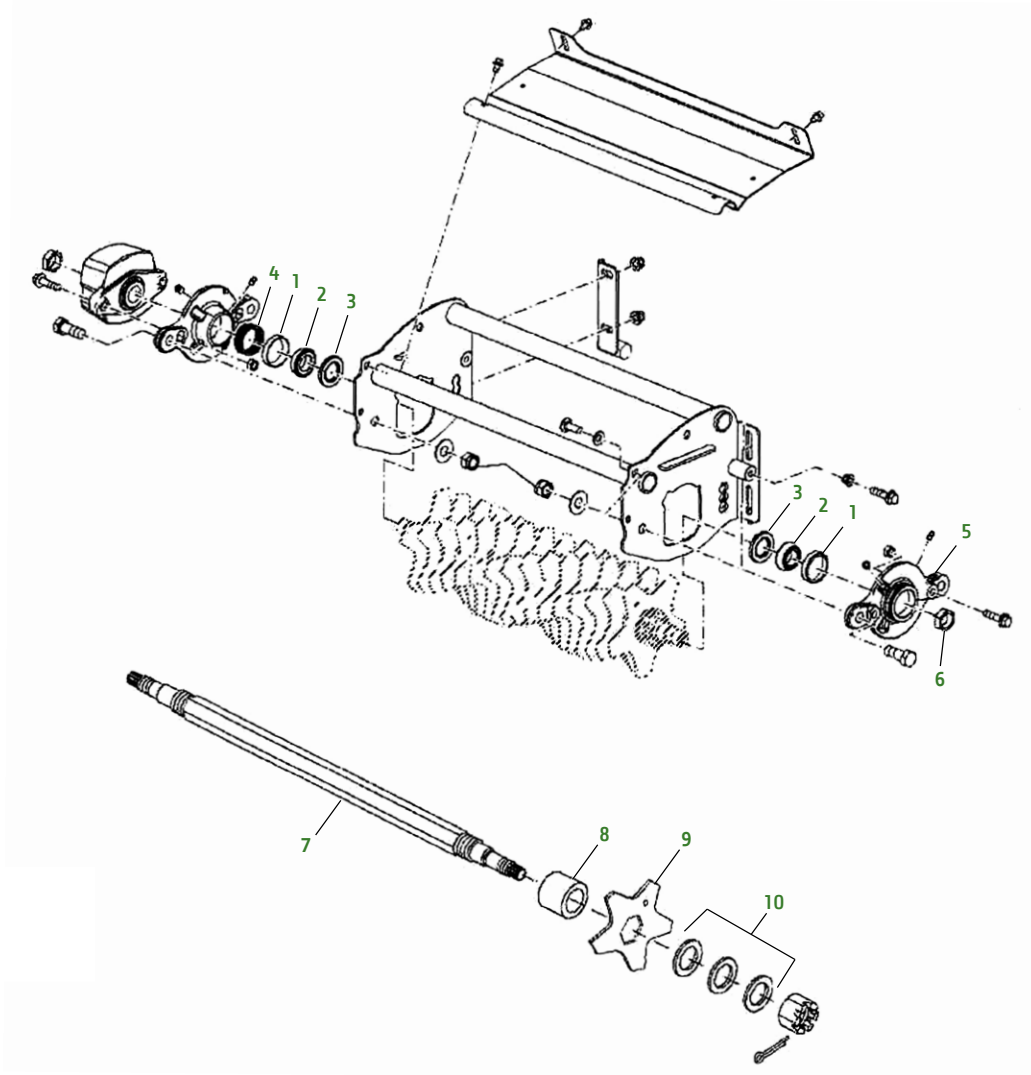
# 7700A / 8700A PrecisionCut™ FTC, Rear Brush and Grass Catcher



Key	Part No.	Description	Key	Part No.	Description
1	MT2622	.....SEAL	7	TCU24983	.....SEAL
2	JD8653	.....BALL BEARING	8	TCA18839	.....REAR BRUSH KIT
3	TCA17898	.....IDLER GEAR	9	MT2624	.....KNIFE
4	TCU24834	.....BALL BEARING	10	BTC10718	.....GRASS CATCHER - REAR
5	MT6828	.....SEAL		BTC10719	.....GRASS CATCHER - FRONT
6	TCU32423	.....SYNCHRONOUS BELT			

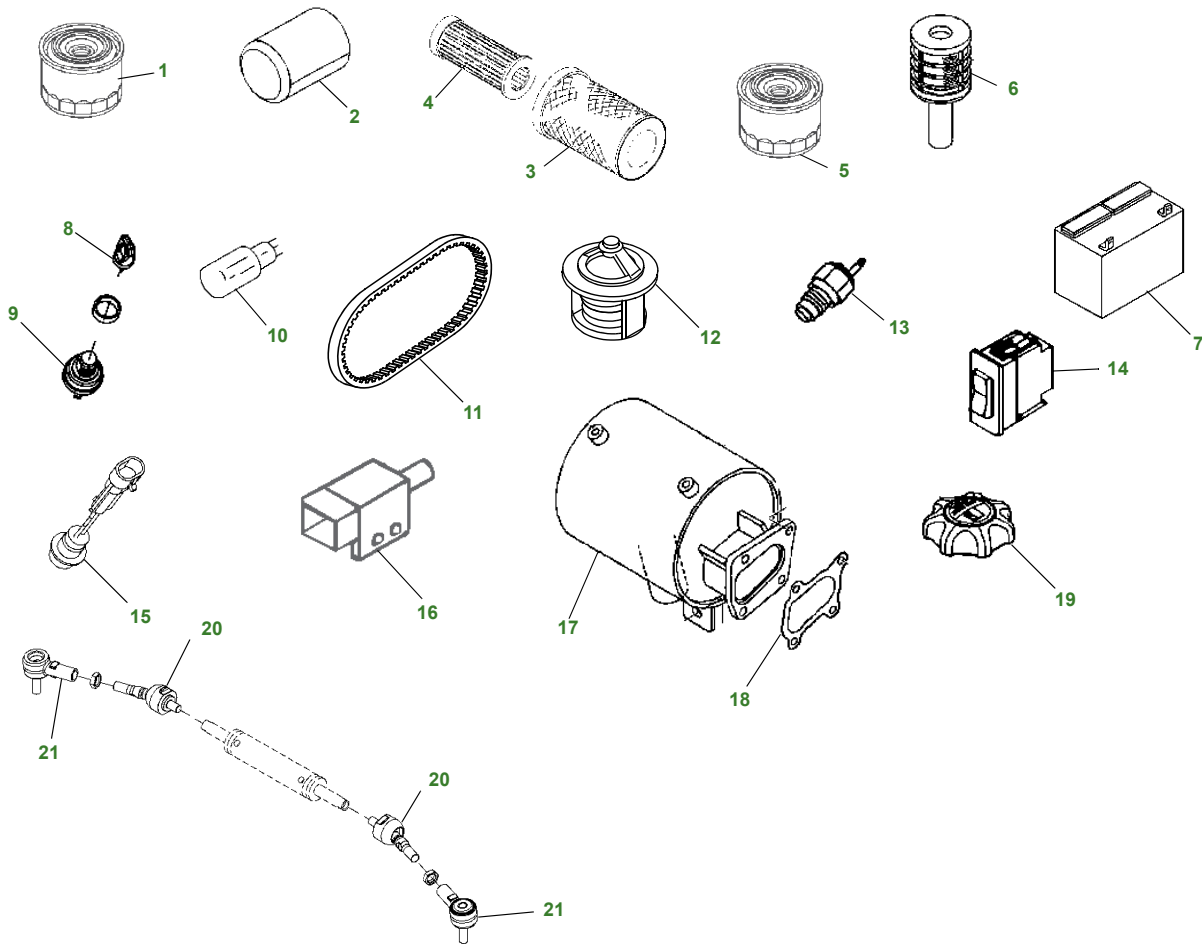
Fairway Mowers

# 7700A / 8700A PrecisionCut™ Vertical Cutting Unit



Key	Part No.	Description	Key	Part No.	Description
1	JD8253	.....BEARING CUP	6	TCU26215	.....NUT
2	JD8933	.....BEARING CONE	7	MT770	.....SHAFT
3	TCU25266	.....SEAL	8	ET17648	.....SPACER
4	TCU26530	.....COMPRESSION SPRING	9	MT6987	.....DISK
5	TCU25979	.....HOUSING	10	24H1549	.....WASHER

# 7500 / 7700 / 8500 / 8700 PrecisionCut™ Mower



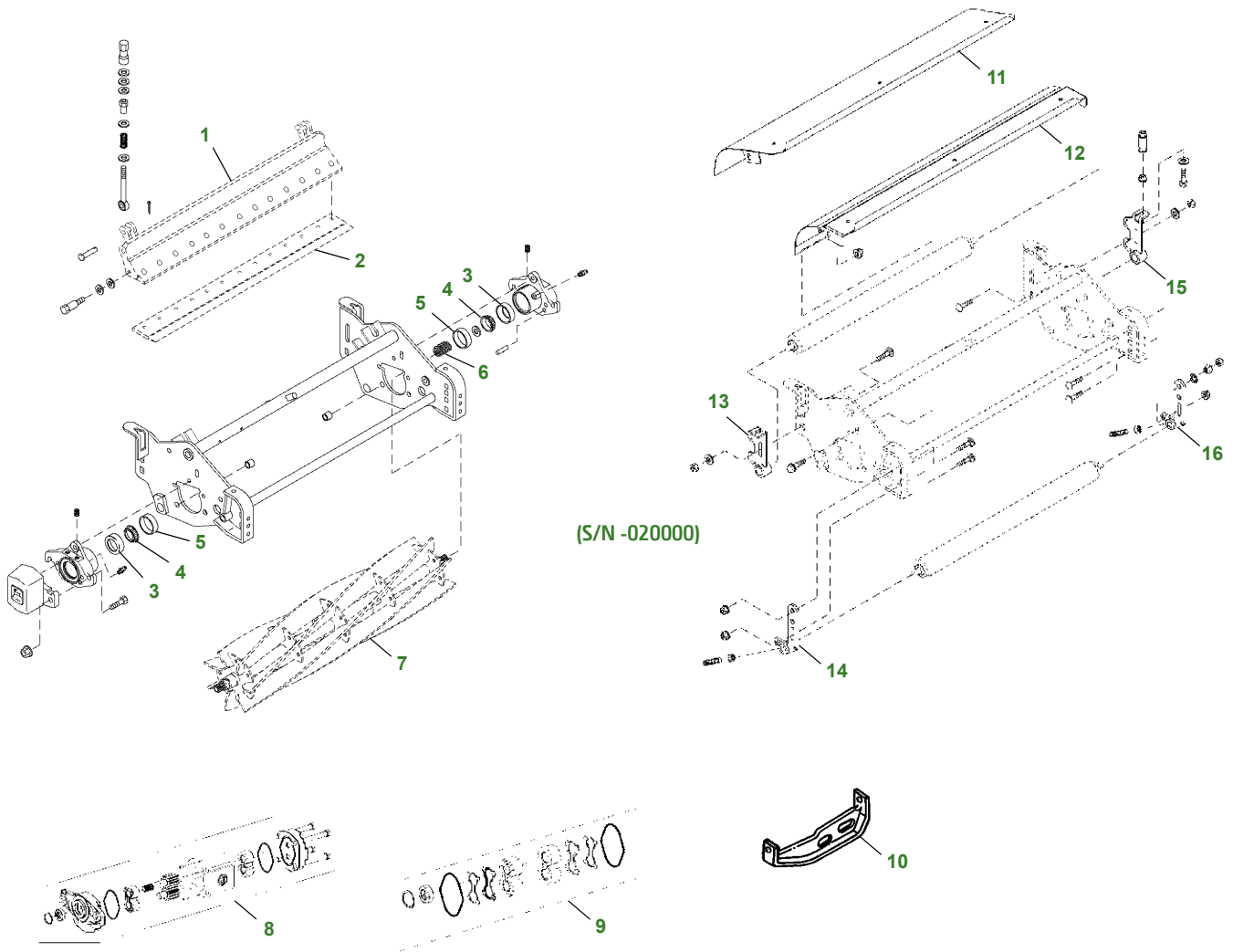
Key	Part No.	Description	Key	Part No.	Description
1	M806419	OIL FILTER ELEMENT - ENGINE	12	M811034	THERMOSTAT
2	RE69054	HYDRAULIC FILTER	13	CH15516	WATER TEMP SWITCH
3	RE68048	AIR FILTER ELEMENT - PRIMARY	14	AM117324	HEADLIGHT SWITCH
4	RE68049	AIR FILTER ELEMENT - SECONDARY	15	AM128925	REAR DRIVE CUTOUT SWITCH (4WD)
5	MIU800645	FUEL FILTER	16	TCA16430	MOW/TRANS SWITCH
6	M811032	FUEL SEPARATOR ELEMENT	17	M811461	MUFFLER
7	TY25876	BATTERY	18	RG60592	GASKET
8	AM131841	KEY	19	AM123508	FILLER CAP
9	TCA22740	SWITCH	20	TCA20991	TIE ROD END
10	AH208904	BULB - WORKLIGHT	21	TCA20992	TIE ROD END
11	TCU23131	BELT - FAN			

## Parts Needed in First 250 hours of Operation

Qty	Part No.	Item	Capacity	Interval In Hours
2	M806419	Engine Oil Filter		50/200
2	TY26675	2 1/2 gal Plus 50 15W40 Engine Oil	6.0 qt	50/200
1	RE69054	Hydraulic Filter		50
3	TY25083	John Deere Special Purpose Golf and Turf Cutting Unit Grease (14 oz) (Cutting Unit and Cutting Unit Attachments)		As Needed
3	TY6341	John Deere Multi-Purpose SD Polyurea Grease (14 oz) (Machine components, lift arms and rollers)		As Needed

\*Refer to Operators Manual for service intervals if using BioDiesel Fuel and Bio Hy-Gard.

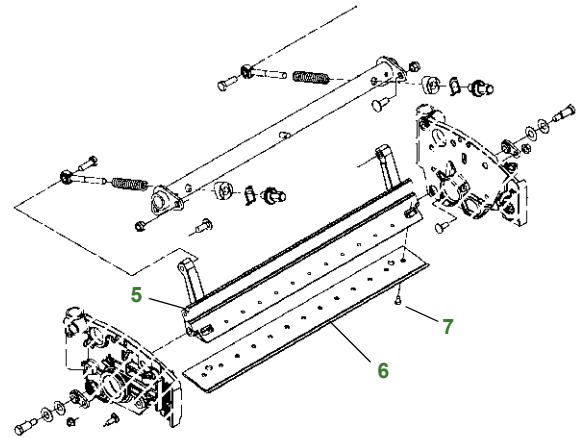
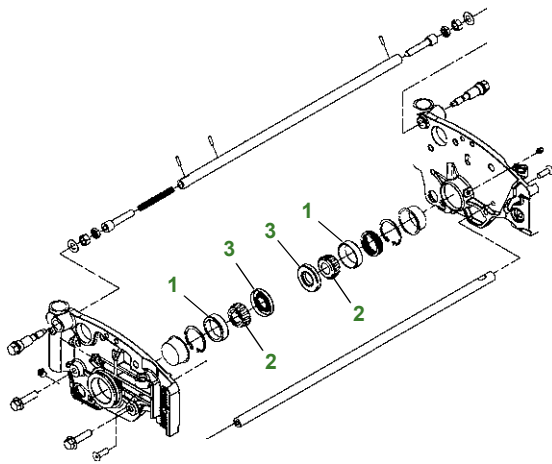
# 7500 / 8500 PrecisionCut™ Reel Cutting Unit



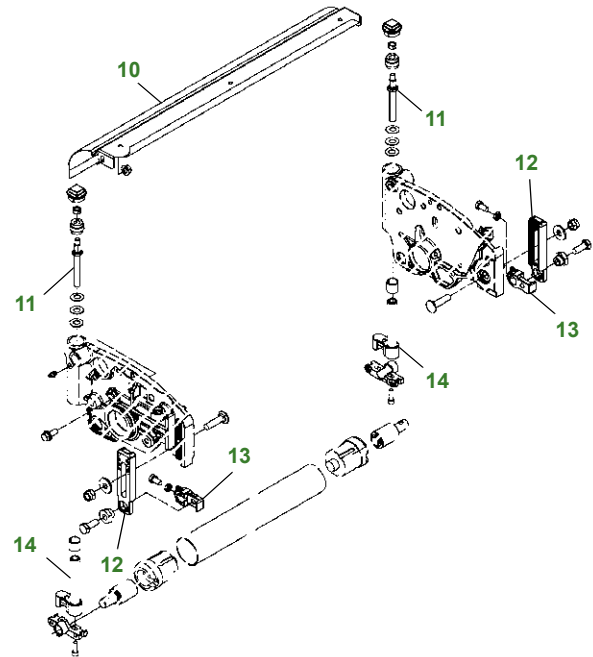
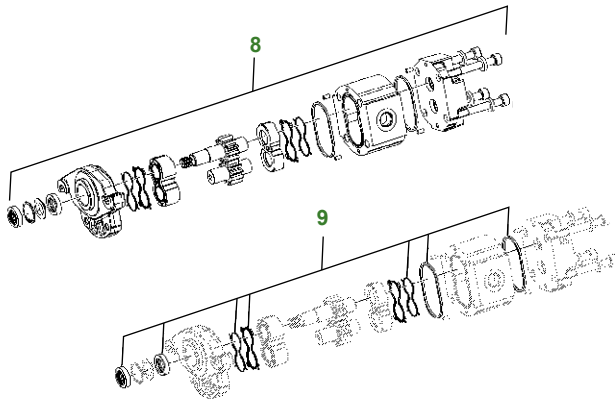
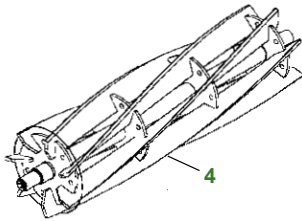
Fairway Mowers

Key	Part No.	Description	Key	Part No.	Description
1	MT2694	.....SHOE	8	TCA22474	.....HYDRAULIC MOTOR
2	ET17767	.....KNIFE - FAIRWAY HI-CUT	9	TCA15628	.....CUTTING UNIT MOTOR SEAL KIT
	ET17532	.....KNIFE - FAIRWAY LO-CUT	10	MT2527	.....SHOE
		.....(STD FOR 7 BLADE)	11	AMT2928	.....COVER - STANDARD
	ET17533	.....KNIFE - STD GREENS	12	AMT2495	.....COVER - OPTIONAL
	ET11066	.....KNIFE - STANDARD GREENS W/ HARDENED	13	AMT5112	.....SUPPORT - RH
		.....INSERT	14	MT3015	.....BRACKET - RH - USE WITH 7 BLADE REEL
	ET17534	.....KNIFE - TOURNAMENT		MT7259	.....BRACKET - RH - USE WITH 11 BLADE REEL
	MT7351	.....KNIFE - LOW-CUT (STD FOR 11 BLADE)	15	AMT5113	.....SUPPORT - LH
	21M7194	.....SCREW - M6-12	16	MT3072	.....BRACKET - LH - USE WITH 7 BLADE REEL
3	JD8226	.....BEARING CUP		MT7260	.....BRACKET - LH - USE WITH 11 BLADE REEL
4	JD8188	.....BEARING CONE			
5	ET14566	.....SEAL			
6	ET14592	.....COMPRESSION SPRING			
7	AMT2883	.....REEL - 7 BLADE			
	AMT2885	.....REEL - 11 BLADE			

# 7500 / 8500 PrecisionCut™ Reel Cutting Unit (cont.)



(S/N 020001-)



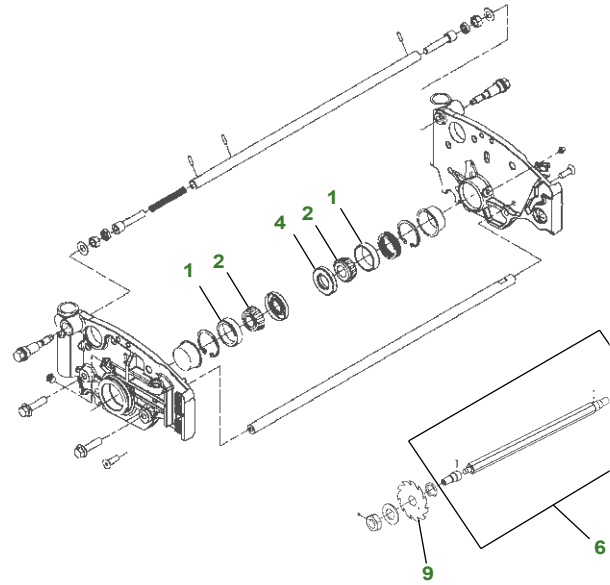
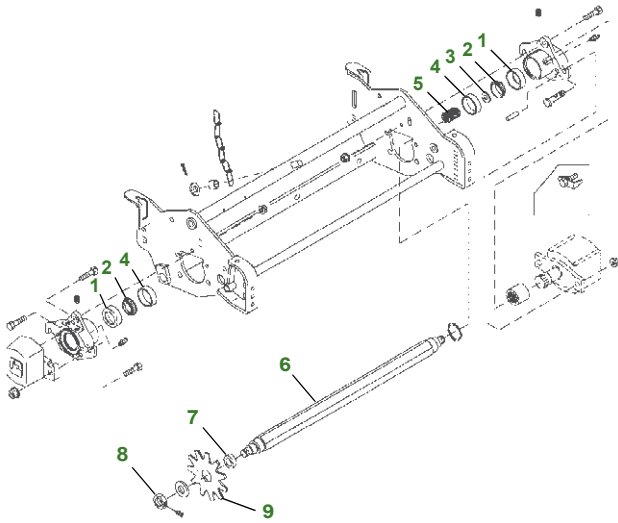
Key	Part No.	Description	Key	Part No.	Description
1	JD8226	.....BEARING CUP		MT7351	.....LOW CUT (STD 11 BLADE)
2	JD8188	.....BEARING CONE		ET11066	.....3.0MM W/HARDENED INSERT
3	ET14566	.....SEAL	7	21M7194	.....SCREW
4	TCA19350	.....REEL - 7 BLADE	8	TCA22474	.....HYDRAULIC MOTOR
	TCA19351	.....REEL - 11 BLADE	9	TCA19114	.....SEAL KIT
5	TCU24332	.....SHOE	10	TCA19624	.....SHIELD
6	ET17533	.....STANDARD	11	TCU24328	.....ADJUSTER
	ET17534	.....TOURNAMENT	12	TCU24460	.....BRACKET
	ET17532	.....FAIRWAY, LO-CUT (STD 7 BLADE)	13	TCU24461	.....BRACKET
	ET17767	.....FAIRWAY, HI-CUT	14	TCA18706	.....ADJUSTER

Fairway Mowers

# 7500 / 8500 PrecisionCut™ Vertical Cutting Unit

(SN -020000)

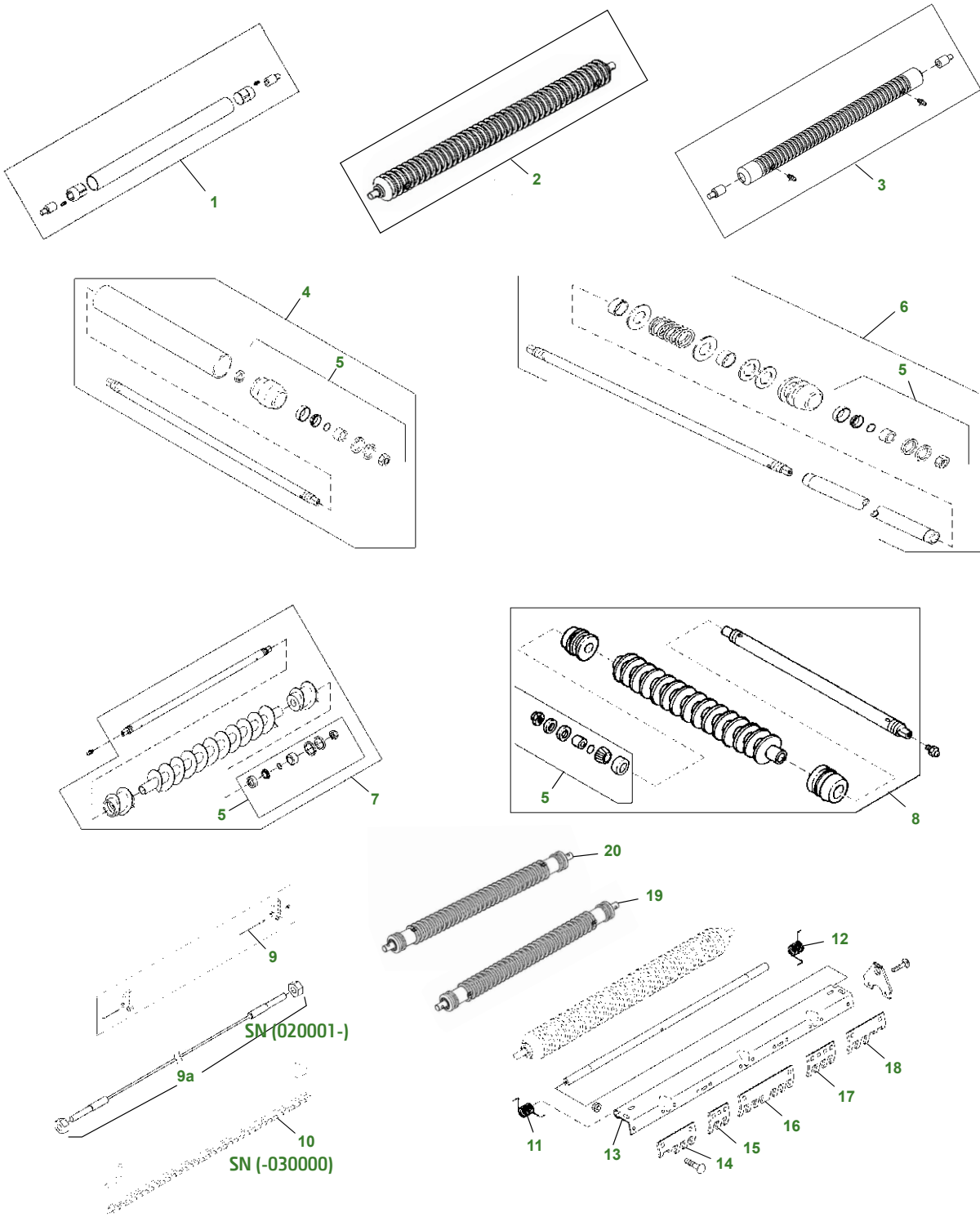
(SN 020001-)



Key	Part No.	Description	Key	Part No.	Description
1	JD8226	.....BEARING CUP	7	ET17713	.....WASHER
2	JD8188	.....BEARING CONE	8	ET17053	.....NUT
3	ET16704	.....WASHER	9	AMT2703	.....KNIFE - S/N -020000
4	ET14566	.....SEAL		TCU26776	.....SAW BLADE - S/N 020000-
5	ET14592	.....SPRING			
6	TCA19344	.....SHAFT - S/N 020001-			
	ET17715	.....SHAFT - S/N -020000			



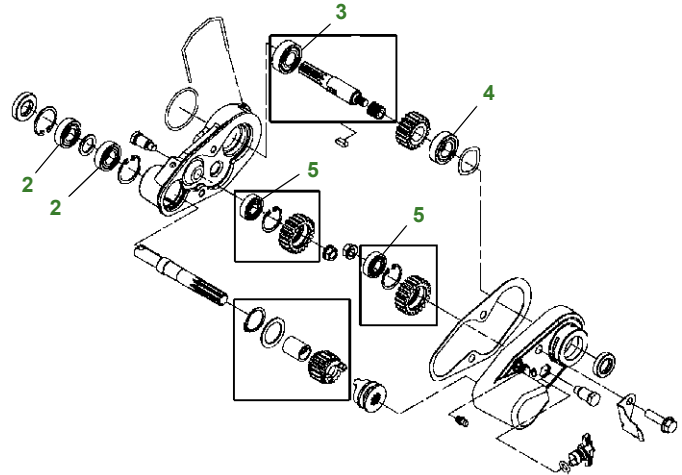
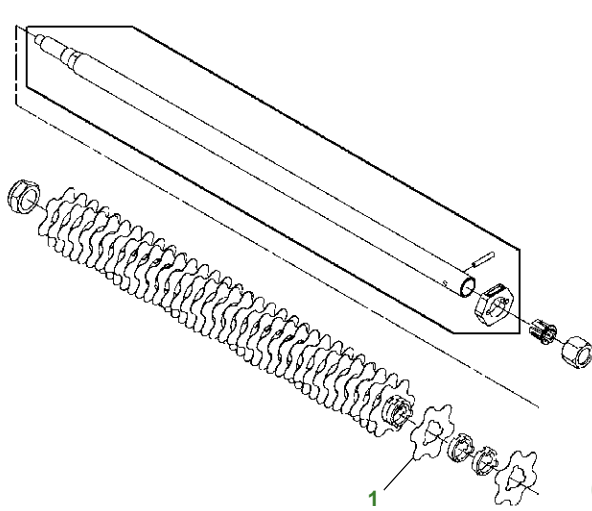
# 7500 / 8500 PrecisionCut™ Cutting Unit Rollers



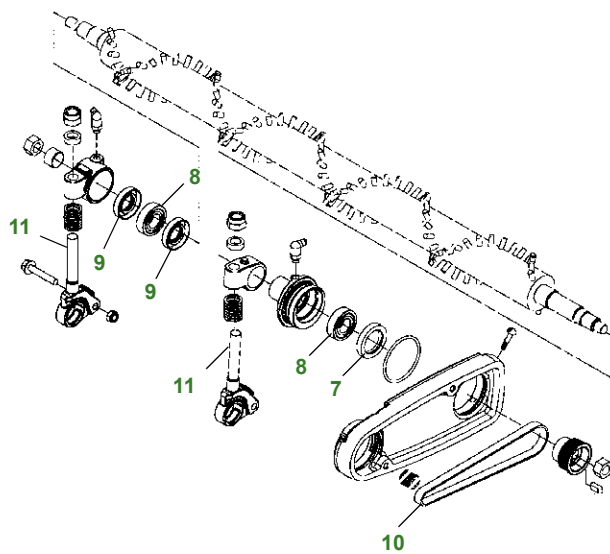
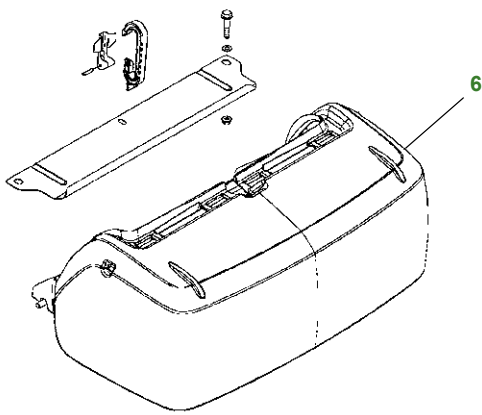
# 7500 / 8500 PrecisionCut™ Cutting Unit Rollers

Key	Part No.	Description	Key	Part No.	Description
1	AMT2876	.....SMOOTH ROLLER - TUBE (2 INCH)	10	AMT1087	.....SCRAPER (USE WITH AMT2875 GROOVED)
	AMT2878	.....SMOOTH ROLLER - SOLID (2 INCH)		AMT1342	.....SCRAPER (USE WITH AMT2877 EXT GROOVED)
2	AMT2880	.....MACHINED ROLLER - SPIRAL (2 INCH)	11	ET17629	.....TORSION SPRING - LH
	AMT2875	.....ROLLER - GROOVED (22.5 IN LONG)	12	ET17630	.....TORSION SPRING - RH
	AMT2877	.....ROLLER - GROOVED (23.25 IN LONG)	13	MT2369	.....SCRAPER
3	AMT2879	.....EXTENDED ROLLER - GROOVED (2 INCH)	14	MT5159	.....SCRAPER - LH END
4	AMT2967	.....SMOOTH ROLLER (3 INCH)	15	MT2342	.....SCRAPER - 3 TOOTH
5	AET10632	.....SEAL KIT	16	MT2340	.....SCRAPER - CENTER
6	AMT2966	.....DISK ROLLER (3 INCH)	17	MT2341	.....SCRAPER - 4 TOOTH
7	AMT2467	.....ROLLER - CONTINUOUS SPIRAL (3 INCH)	18	MT5158	.....SCRAPER - RH END
8	AMT1286	.....ROLLER - GROOVED END SPIRAL (3 INCH)	19	BM23566	.....MT SPIRAL ROLLER 2"
9	AET10139	.....CABLE (SMOOTH ROLLER SCRAPER)	20	BTC10267	.....MT GROOVED ROLLER 2"
9a	BM22995	.....SMOOTH ROLLER SCRAPER			

# 7500/8500 PrecisionCut™ FTC / Rear Brush / Grass Catcher

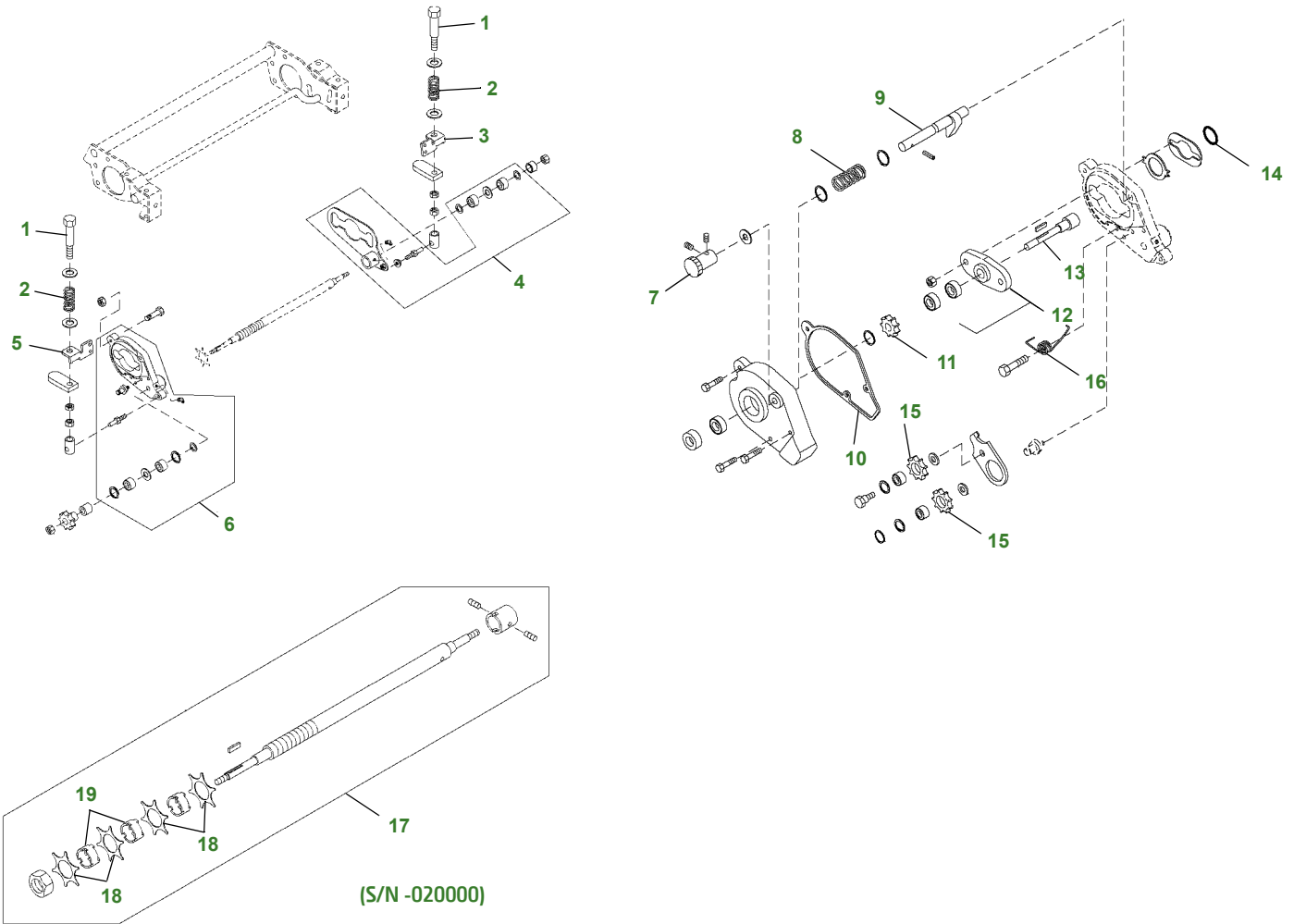


(S/N 020001-)



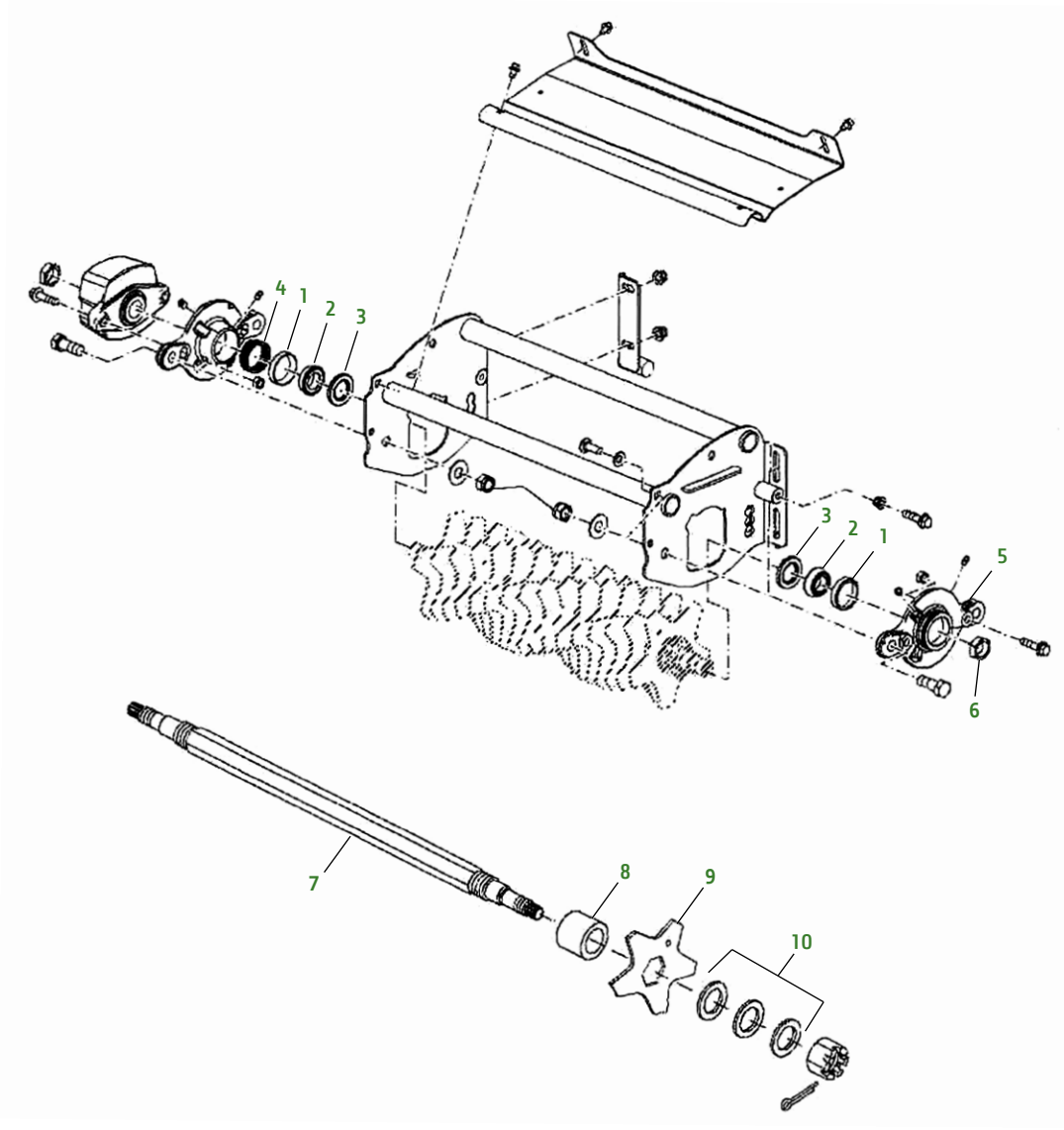
Key	Part No.	Description	Key	Part No.	Description
1	MT2624	.....KNIFE	7	TCU24983	.....SEAL
2	TCU24834	.....BALL BEARING	8	TCU24834	.....BALL BEARING
3	M802355	.....BEARING	9	MT6828	.....SEAL
4	JD8653	.....BALL BEARING	10	TCU32422	.....SYNCHRONOUS BELT
5	ET16027	.....BALL BEARING	11	TCU24826	.....BRACKET
6	TCA21302	.....GRASS CATCHER - LOW PROFILE			
	TCA21303	.....GRASS CATCHER - HIGH PROFILE			

# 7500 / 8500 PrecisionCut™ Fairway Tender Conditioner



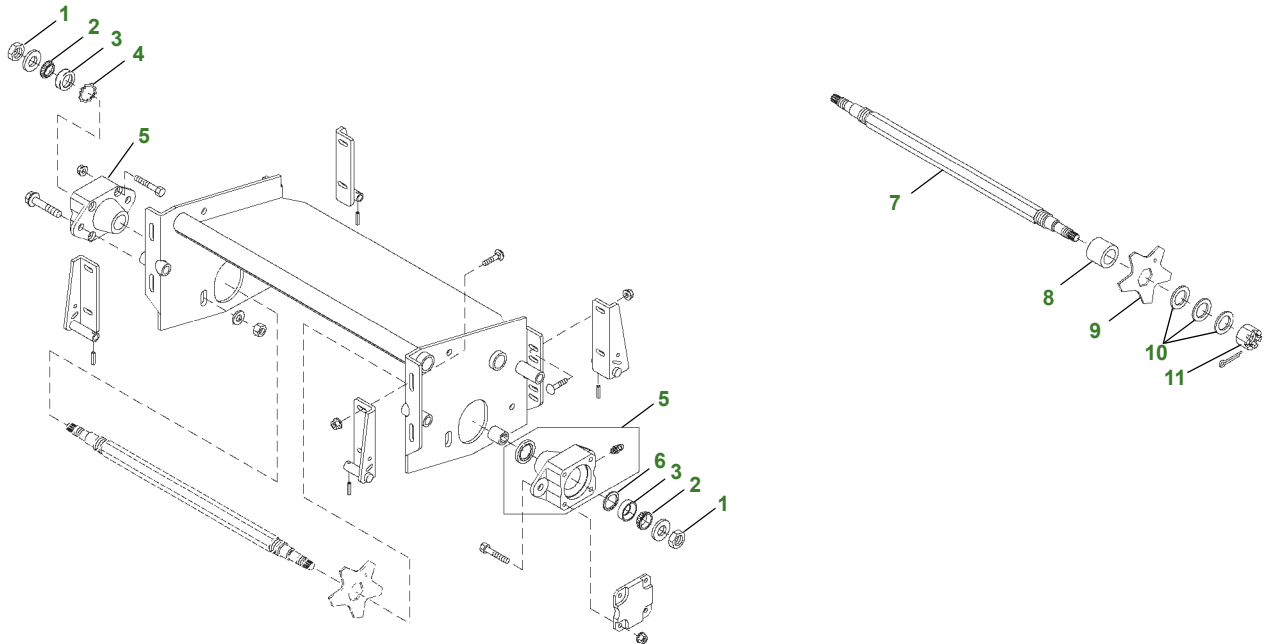
Key	Part No.	Description	Key	Part No.	Description
1	ET16849	.....BOLT	11	TCU23741	.....GEAR
2	TCU13600	.....SPRING	12	AMT1647	.....BEARING W/ HOUSING
3	MT6650	.....SUPPORT - RH	13	AMT2942	.....SHAFT - (FTC ONLY)
4	TCA18509	.....BRACKET - LH		AMT2834	.....DRIVE SHAFT (FTC AND BRUSH)
	TCA18510	.....BRACKET - RH	14	H63261	.....O-RING
5	MT6649	.....SUPPORT - LH	15	ET11045	.....SPUR GEAR
6	AMT1390	.....ARM - RH	16	MT5248	.....TORSION SPRING - RH
	AMT1391	.....ARM - LH		MT5249	.....EXTENSION SPRING - LH
7	ET17659	.....KNOB	17	AMT2935	.....ROLL
8	ET11050	.....COMPRESSION SPRING	18	MT2624	.....KNIFE
9	ET11049	.....LEVER	19	MT7280	.....SPACER
10	MT3091	.....GASKET			

# 7700 / 8700 PrecisionCut™ Vertical Cutting Unit



Key	Part No.	Description	Key	Part No.	Description
1	JD8253	.....BEARING CUP	6	TCU26215	.....NUT
2	JD8933	.....BEARING CONE	7	MT770	.....SHAFT
3	TCU25266	.....SEAL	8	ET17648	.....SPACER
4	TCU26530	.....COMPRESSION SPRING	9	MT6987	.....DISK
5	TCU25979	.....HOUSING	10	24H1549	.....WASHER

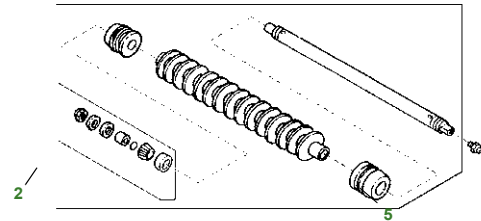
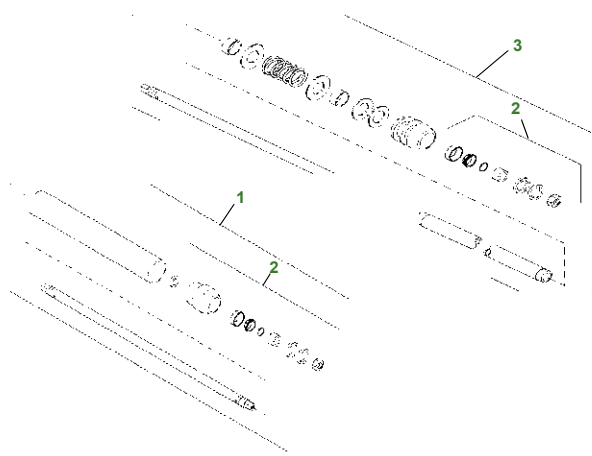
# 7700 / 8700 PrecisionCut™ Vertical Cutting Unit



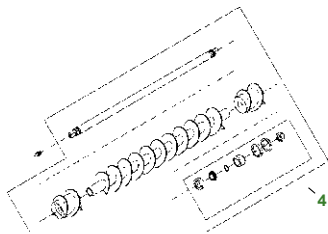
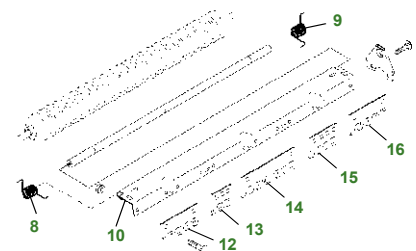
(S/N -020000)

Key	Part No.	Description	Key	Part No.	Description
1	MT1211	.....LOCK NUT	7	MT770	.....SHAFT
2	JD8960	.....BEARING CONE	8	ET17648	.....SPACER
3	JD8239	.....BEARING CUP	9	MT6987	.....KNIFE
4	ET17510	.....COMPRESSION SPRING	10	24H1549	.....WASHER
5	AMT683	.....SUPPORT	11	ET17318	.....NUT
6	N51168	.....SNAP RING			

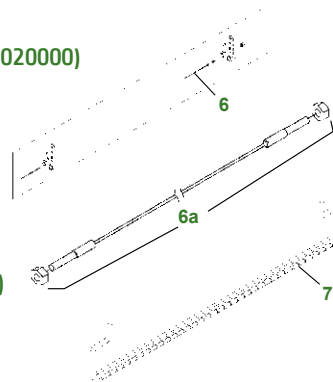
# 7700 / 8700 PrecisionCut™ Cutting Unit Rollers



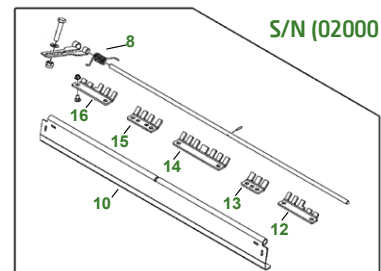
S/N (- 020000)



S/N (- 020000)



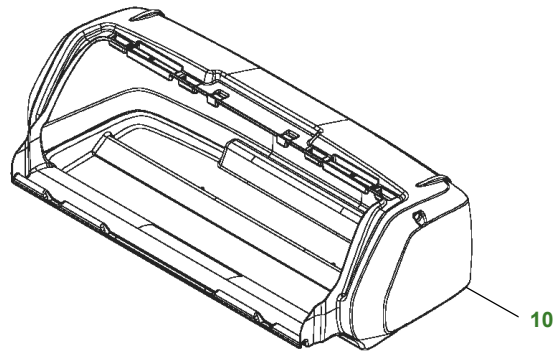
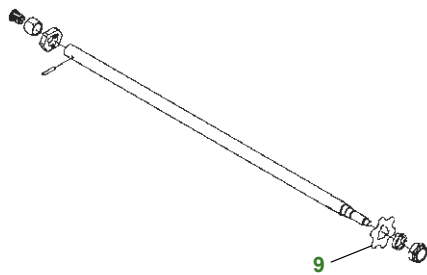
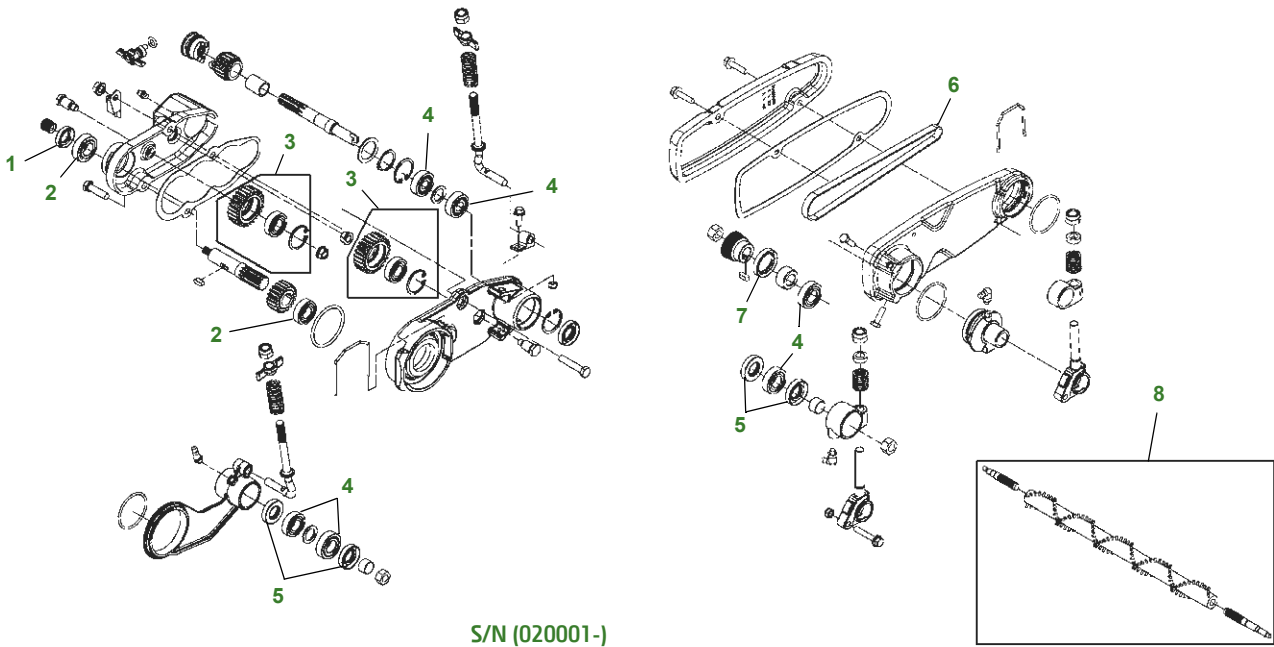
S/N (020001-)



S/N (020001-)

Key	Part No.	Description	Key	Part No.	Description
1	AMT2967	.....SMOOTH ROLLER (3 INCH)	9	ET17630	.....TORSION SPRING - RH SN (- 020000)
2	AET10632	.....SEAL KIT		TCU27036	.....TORSION SPRING - RH SN (020001-)
3	AMT2966	.....DISK ROLLER (3 INCH)	10	MT2369	.....SCRAPER SN (- 020000)
4	AMT2467	.....ROLLER - CONTINUOUS SPIRAL (3 INCH)		TCU27038	.....SCRAPER SN (020001-)
5	AMT1286	.....ROLLER - GROOVED END SPIRAL (3 INCH)	11	MT5159	.....SCRAPER - LH END
6	AET10139	.....CABLE (SMOOTH ROLLER SCRAPER)	12	MT2342	.....SCRAPER - GROOVED SPIRAL ROLLER
6a	BM22995	.....SMOOTH ROLLER SCRAPER			.....- 3 TOOTH SCRAPER
7	AMT1087	.....SCRAPER (USE WITH AMT2875 GROOVED)	13	MT2340	.....SCRAPER - CENTER
	AMT1342	.....SCRAPER (USE WITH AMT2877 EXT GROOVED)	14	MT2341	.....SCRAPER - 4 TOOTH
8	ET17629	.....TORSION SPRING - LH SN (- 020000)	16	MT5158	.....SCRAPER - RH END
	TCU27037	.....TORSION SPRING - LH SN (020001-)			

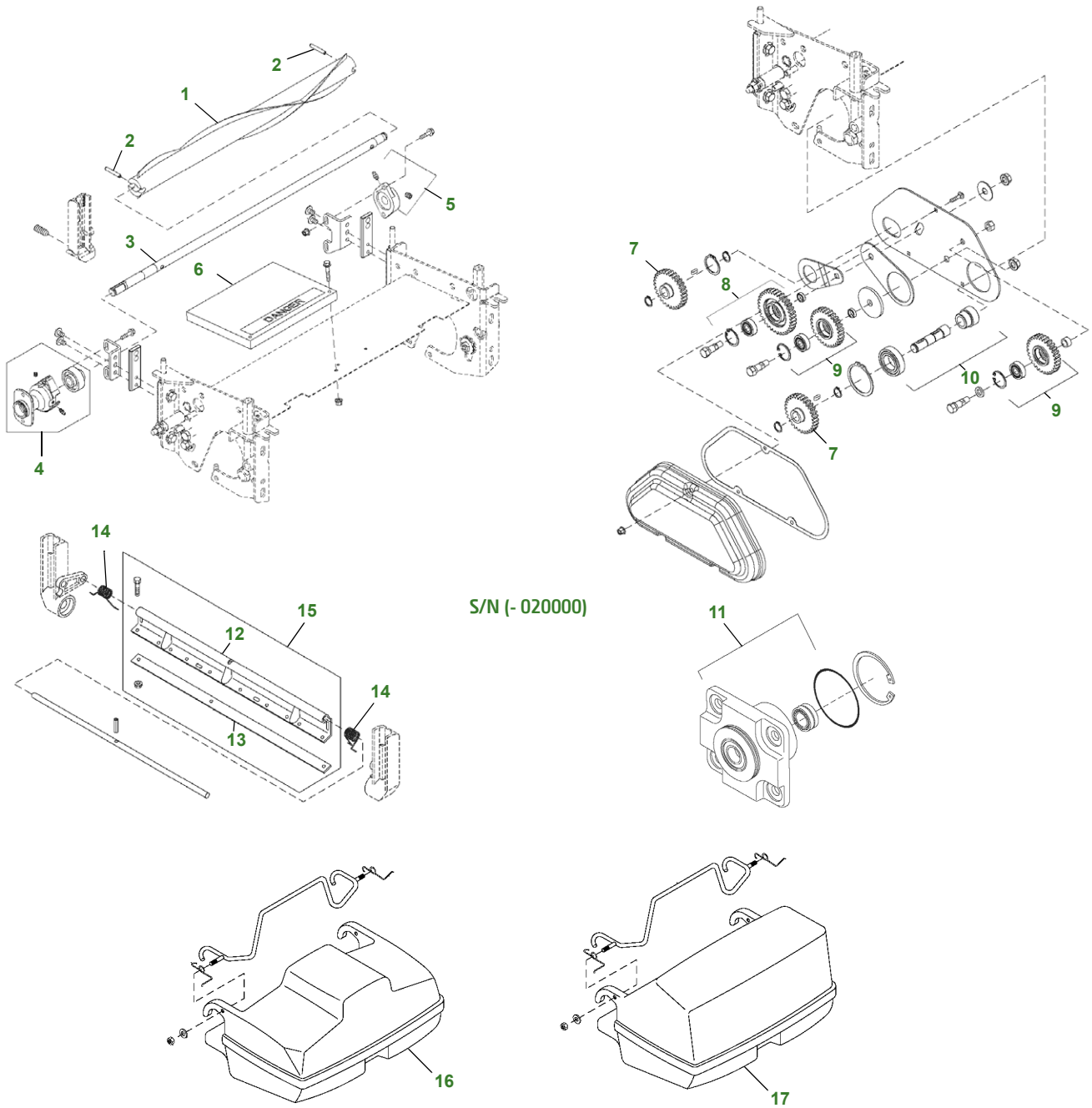
# 7700 / 8700 PrecisionCut™ FTC, Rear Brush and Grass Catcher



Key	Part No.	Description	Key	Part No.	Description
1	MT2622	.....SEAL	7	TCU24983	.....SEAL
2	JD8653	.....BALL BEARING	8	TCA18839	.....REAR BRUSH KIT
3	TCA17898	.....IDLER GEAR	9	MT2624	.....KNIFE
4	TCU24834	.....BALL BEARING	10	TCA21302	.....GRASS CATCHER - REAR
5	MT6828	.....SEAL		TCA21303	.....GRASS CATCHER - FRONT
6	TCU32423	.....SYNCHRONOUS BELT			

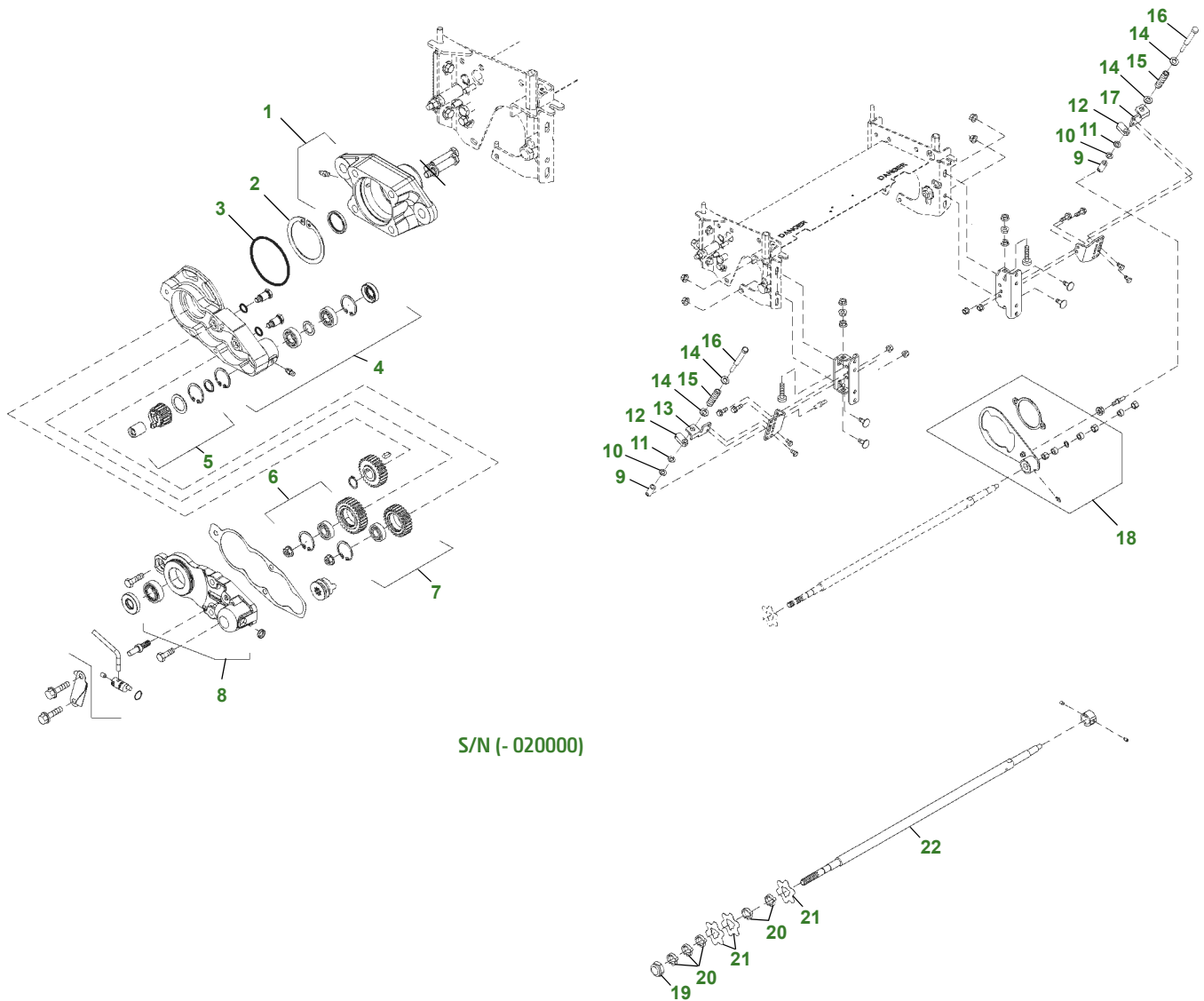
Fairway Mowers

# 7700 / 8700 PrecisionCut™ FTC, Rear Brush and Grass Catcher



Key	Part No.	Description	Key	Part No.	Description
1	AMT2710	.....BRUSH	10	AMT2684	.....SHAFT
2	34M7042	.....SPRING PIN	11	AMT2699	.....HOUSING - INCLUDES BEARING
3	MT2530	.....SHAFT	12	MT2369	.....SCRAPER
4	AMT1345	.....BEARING W/ HOUSING	13	MT2595	.....BLADE
5	AMT1643	.....BEARING W/ HOUSING	14	ET17629	.....TORSION SPRING
6	TCA12300	.....WEIGHT	15	AMT1381	.....SCRAPER - 559 MM (22 INCH)
7	MT2552	.....GEAR	16	AMT709	.....GRASS CATCHER - REAR
8	AMT1650	.....GEAR	17	AMT691	.....GRASS CATCHER - FRONT
9	AMT2706	.....GEAR			

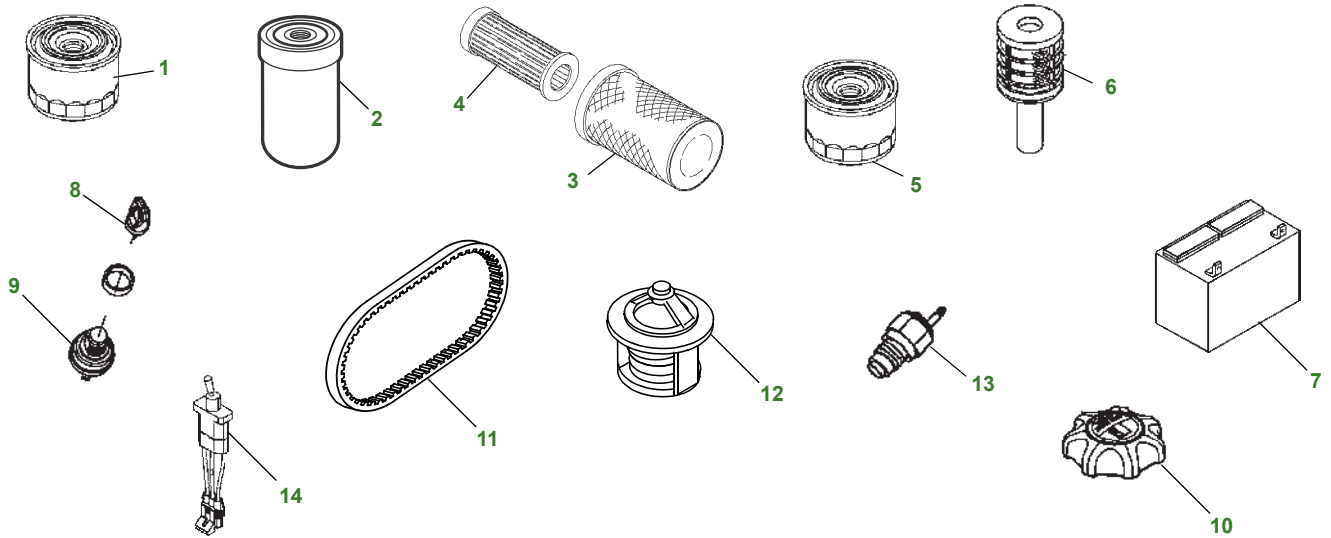
# 7700 / 8700 PrecisionCut™ Fairway Tender Conditioner



S/N (- 020000)

Key	Part No.	Description	Key	Part No.	Description
1	AMT2702	.....HOUSING	13	MT6650	.....SUPPORT
2	40M7228	.....SNAP RING	14	24M7047	.....WASHER
3	M4237T	.....O-RING	15	TCU13600	.....SPRING
4	AMT2688	.....BASE	16	ET16849	.....BOLT
5	TCA16576	.....GEAR	17	MT6649	.....SUPPORT
6	TCA17899	.....IDLER GEAR	18	AMT2676	.....BRACKET
7	TCA17898	.....IDLER GEAR	19	N198341	.....LOCKNUT
8	AMT2683	.....COVER	20	MT7280	.....SPACER
9	ET16750	.....ADJUSTER	21	MT2624	.....KNIFE
10	14M7274	.....NUT	22	MT6827	.....SHAFT
11	14M7152	.....NUT			
12	ET16848	.....STRAP			

# 8000A E-Cut™ Hybrid Fairway Mower



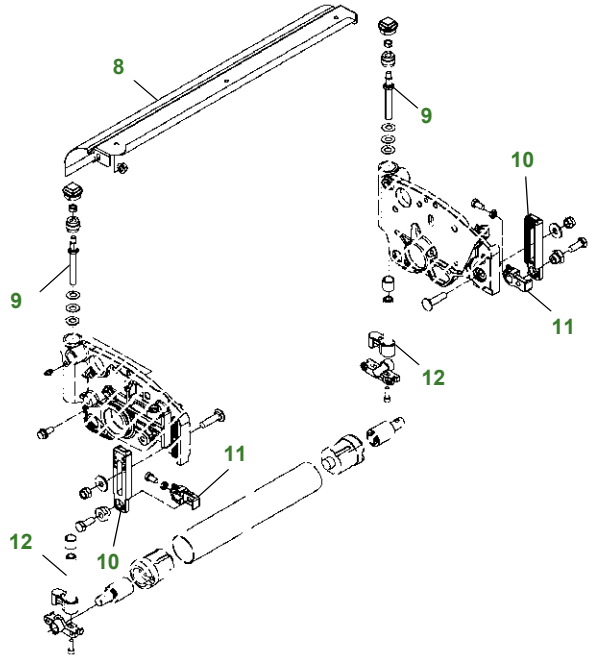
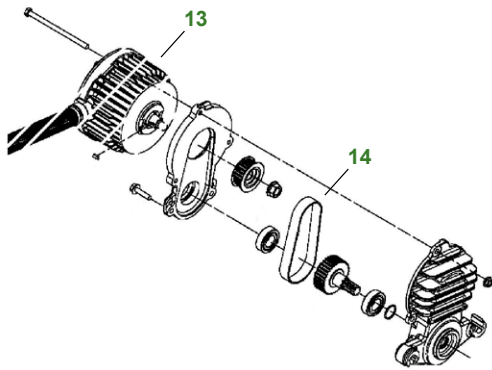
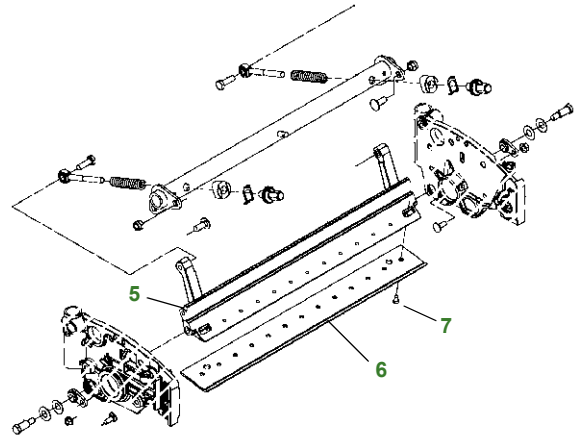
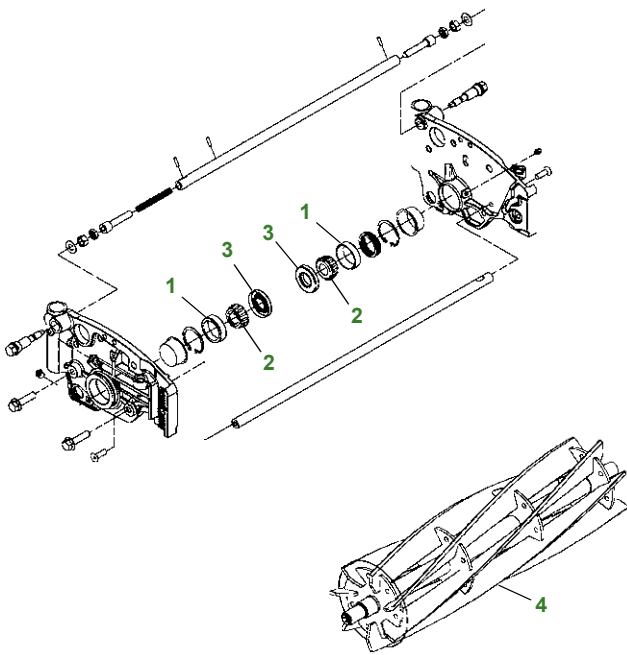
Key	Part No.	Description	Key	Part No.	Description
1	M806419	ENGINE OIL FILTER		TCU30780	BELT - FAN - TIER 4
2	RE69054	HYDRAULIC OIL FILTER	12	M811034	THERMOSTAT
3	RE68048	AIR FILTER - PRIMARY	13	CH15516	WATER TEMP SWITCH
4	RE68049	AIR FILTER - SECONDARY	14	TCA15095	REEL MOTOR CONTROL SWITCH
5	MIU800645	FUEL FILTER		TCA15096	REEL MOTOR CONTROL SWITCH
6	M811032	FUEL SEPARATOR ELEMENT			
7	TY25876	BATTERY			
8	AM125504	KEY			
9	TCA22740	SWITCH			
10	TCA24601	FILLER CAP			
11	TCU38089	BELT - FAN			

## Parts Needed in First 250 hours of Operation

Qty	Part No.	Item	Capacity	Interval In Hours
2	M806419	Engine Oil Filter		50/200
3	TY26673	Plus-50™ II 15W-40 Engine Oil - 1 gal	6.0 qt	50/200
1	RE69054	Hydraulic Oil Filter		50
3	TY25083	John Deere Special Purpose Golf & Turf Cutting Unit Grease (14 oz) (Cutting Unit and Cutting Unit Attachments)		As Needed
3	TY6341	John Deere Multi-Purpose SD Polyurea Grease (14 oz) (Machine components, lift arms and rollers)		As Needed

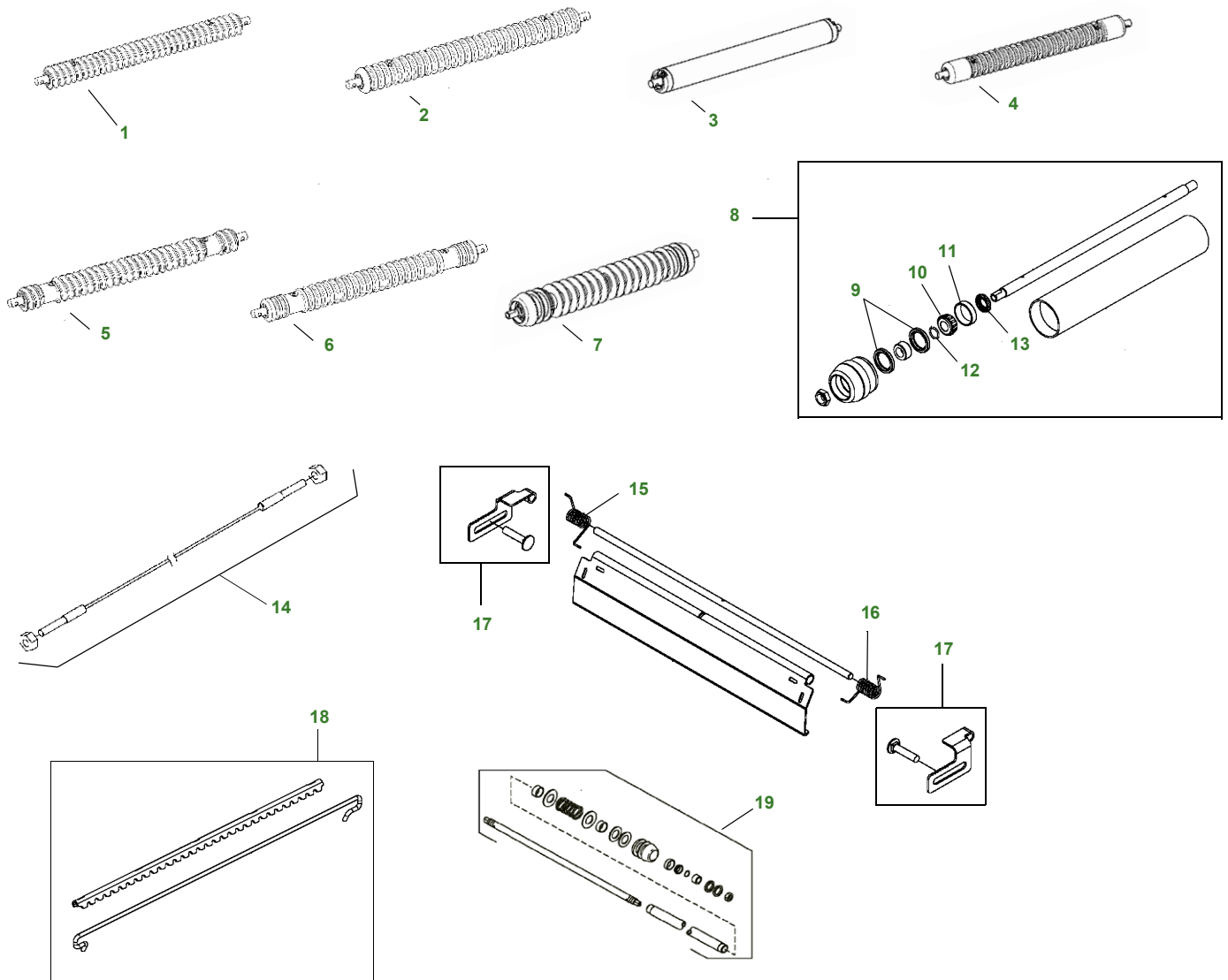
\*Refer to Operators Manual for service intervals if using BioDiesel Fuel and Bio Hy-Gard.

# 8000A E-Cut™ Hybrid Reel Cutting Unit



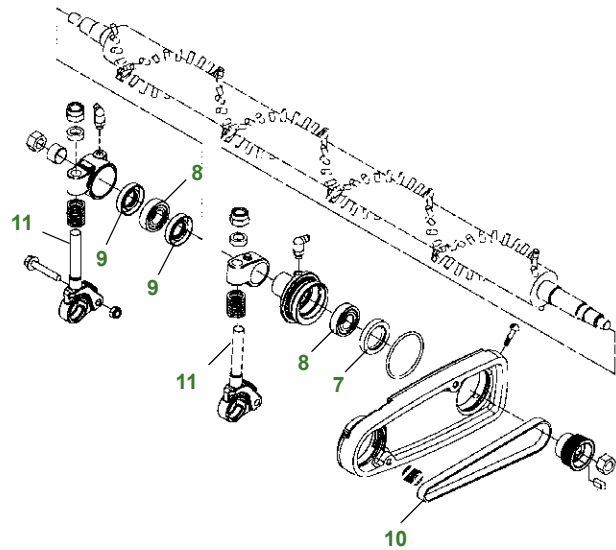
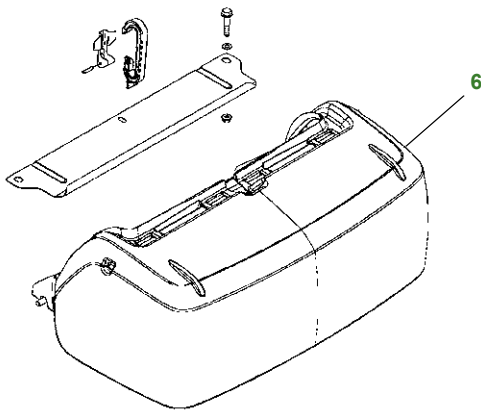
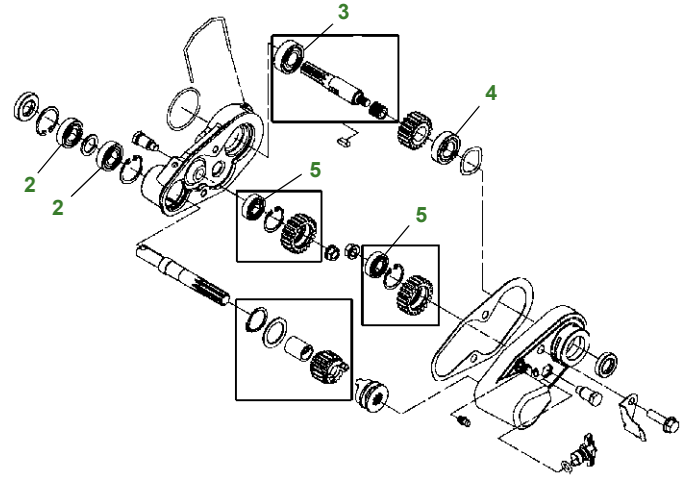
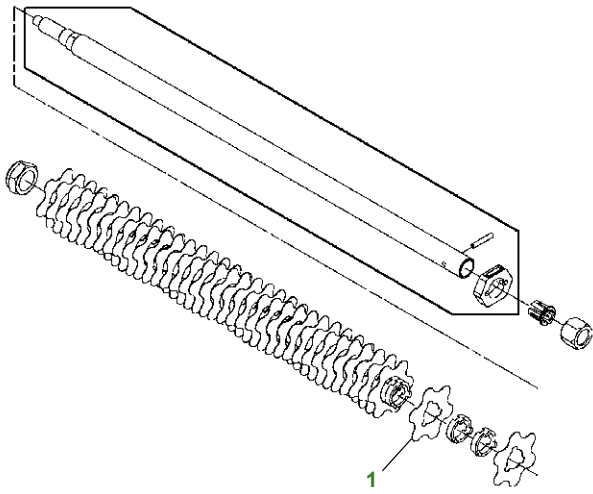
Key	Part No.	Description	Key	Part No.	Description
1	JD8226	.....BEARING CUP	8	TCA18643	.....SHIELD
2	JD8188	.....BEARING CONE	9	TCU24328	.....ADJUSTER
3	ET14566	.....SEAL	10	TCU24460	.....BRACKET
4	TCA19348	.....REEL - 7-BLADE	11	TCU24461	.....BRACKET
	TCA19349	.....REEL - 11-BLADE	12	TCA18706	.....ADJUSTER
5	TCU35967	.....SHOE	13	TCA23651	.....CUTTING UNIT MOTOR - 60 in. WIRING HARNESS
6	TCU31422	.....BEDKNIFE - FAIRWAY HI-CUT	14	TCU33535	.....SYNCHRONOUS BELT
	MT4846	.....BEDKNIFE - 2.5 mm TOURNAMENT			
	TCU25299	.....BEDKNIFE - FAIRWAY - 7-BLADE			
	MT7350	.....BEDKNIFE - LOW-CUT - 11-BLADE			
	TCU36878	.....BEDKNIFE - HARDENED LESS AGGRESSIVE LOW-CUT			
7	21M7194	.....SCREW			

# 8000A E-Cut™ Hybrid Cutting Unit Rollers



Key	Part No.	Description	Key	Part No.	Description
1	TCA19332	ROLLER - SPIRAL GROOVED (2 in.)	10	JD8188	BEARING CONE
2	TCA19232	ROLLER - GROOVED FRONT (2 in.)	11	JD8226	BEARING CUP
3	TCA19656	ROLLER - HOLLOW SMOOTH (2 in.)	12	U46731	O-RING
	AMT2981	ROLLER - MACHINED SMOOTH SOLID (2 in.)	13	MT739	SEAL
4	AMT2979	ROLLER - MACHINED GROOVED SOLID - WITH SOLID END CAPS (2 in.)	14	BM23015	CABLE (SMOOTH ROLLER SCRAPER)
5	BM23567	ROLLER - MACHINED SPIRAL (2 in.)	15	TCU27037	TORSION SPRING - LH
6	BTC10281	ROLLER - MACHINED GROOVED (2 in.)	16	TCU27036	TORSION SPRING - RH
7	TCA19510	ROLLER - GROOVED DISK (3 in.)	17	TCA19597	KIT - MOUNTING
8	TCA19509	ROLLER - SMOOTH (3 in.)	18	TCA19585	SCRAPER - GROOVED 18 in. X 2 in.
9	ET15755	SEAL	19	TCA19510	ROLLER - GROOVED DISK (3 in.)

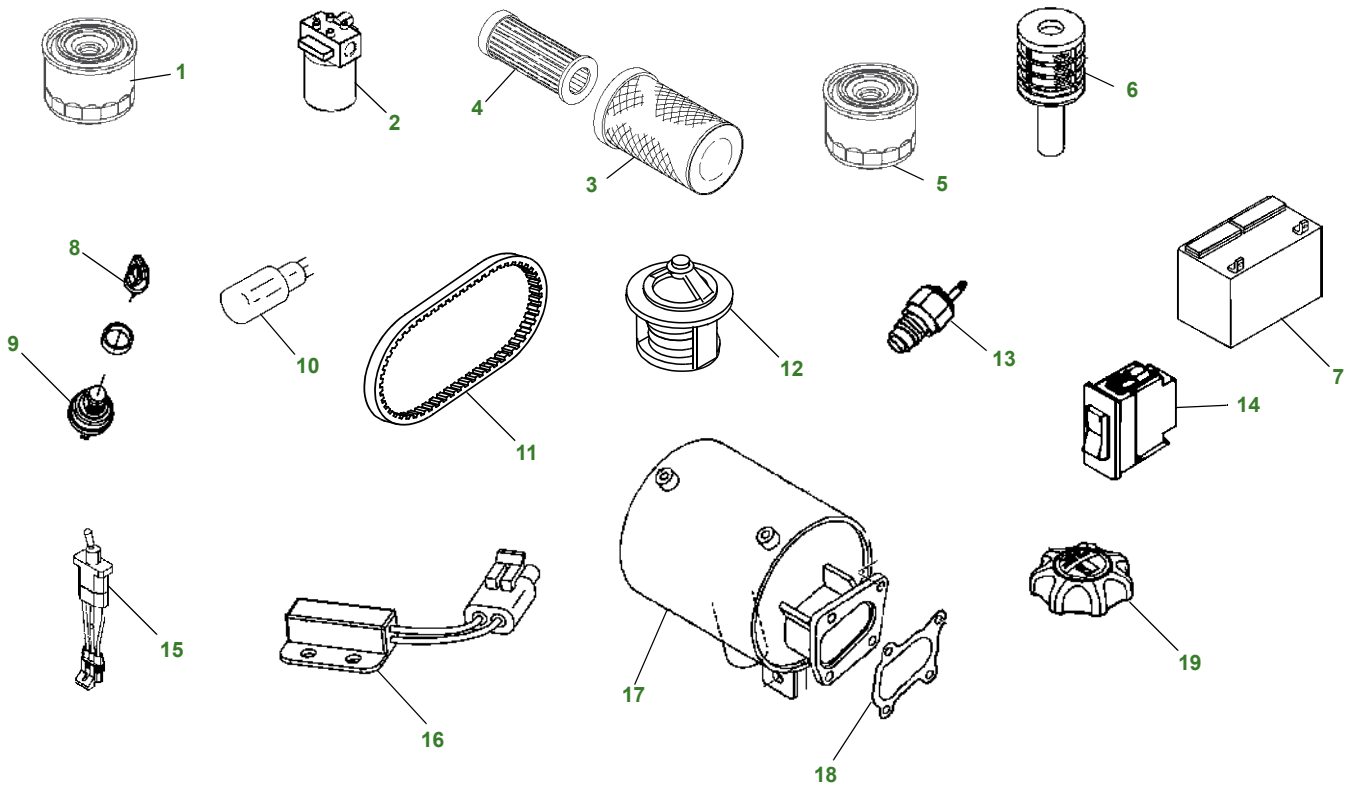
# 8000A E-Cut™ Hybrid FTC,Rear Brush and Grass Catcher



Key	Part No.	Description	Key	Part No.	Description
1	MT2624	.....KNIFE	7	TCU24983	.....SEAL
2	TCU24834	.....BALL BEARING	8	TCU24834	.....BALL BEARING
3	M802355	.....BEARING	9	MT6828	.....SEAL
4	JD8653	.....BALL BEARING	10	TCU32422	.....SYNCHRONOUS BELT
5	ET16027	.....BALL BEARING	11	TCU24826	.....BRACKET
6	BTC10716	.....GRASS CATCHER - LOW PROFILE .....GRASS CATCHER - HIGH PROFILE			

Fairway Mowers

# 8000 E-Cut™ Hybrid Fairway Mower



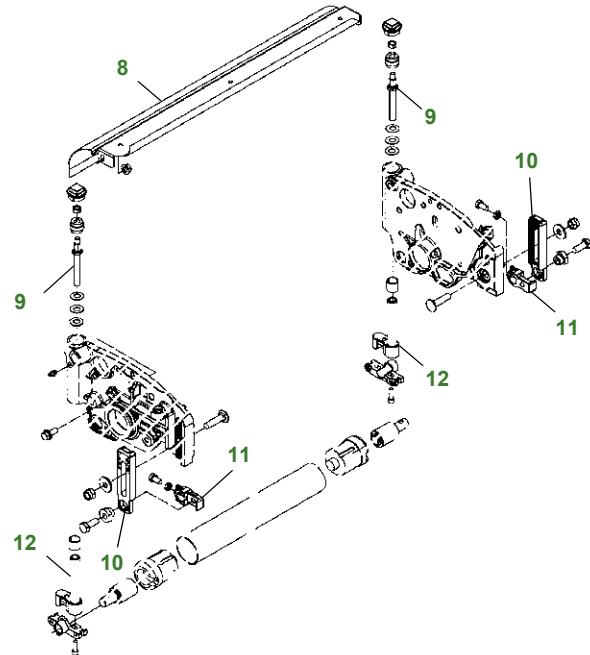
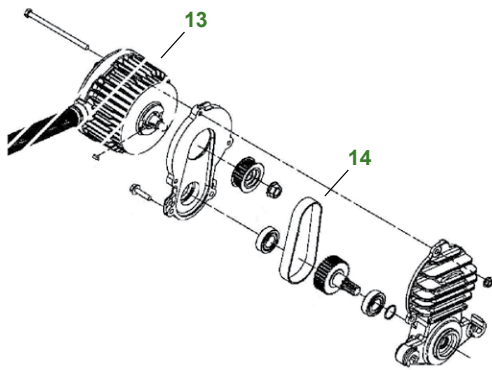
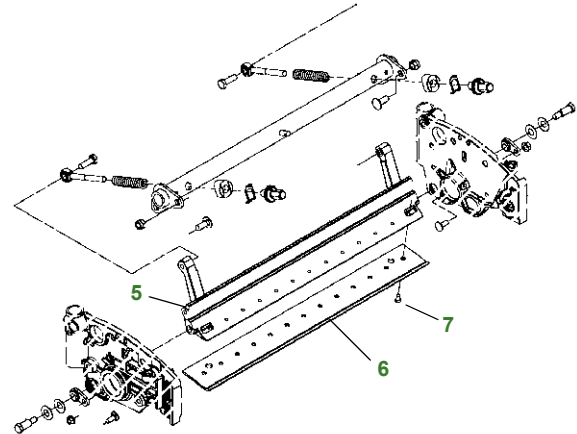
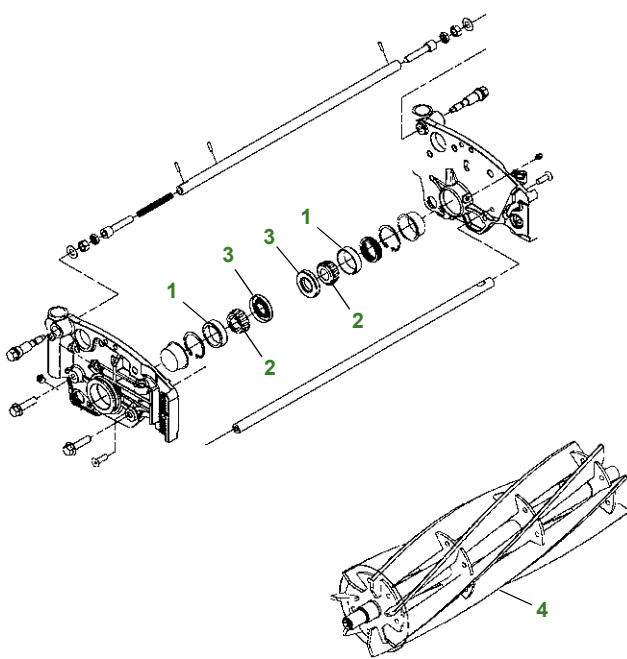
Key	Part No.	Description	Key	Part No.	Description
1	M806419	OIL FILTER ELEMENT - ENGINE	12	M811034	THERMOSTAT
2	LVU14258	HYDRAULIC FILTER	13	CH15516	WATER TEMP SWITCH
3	RE68048	AIR FILTER ELEMENT - PRIMARY	14	AM117324	HEADLIGHT SWITCH
4	RE68049	AIR FILTER ELEMENT - SECONDARY	15	TCA15095	REEL MOTOR CONTROL SWITCH
5	MIU800645	FUEL FILTER		TCA15096	REEL MOTOR CONTROL SWITCH
6	M811032	FUEL SEPARATOR ELEMENT	16	AE74100	MOW/TRANS SWITCH
7	TY25876	BATTERY	17	M811461	MUFFLER
8	AM125504	KEY	18	RG60592	GASKET
9	TCA22740	SWITCH	19	AM144707	FILLER CAP
10	AH208904	BULB - WORKLIGHT			
11	TCU23131	BELT - FAN			

## Parts Needed in First 250 hours of Operation

Qty	Part No.	Item	Capacity	Interval In Hours
2	M806419	Engine Oil Filter		50/200
2	TY26675	2 1/2 gal Plus 50 15W40 Engine Oil	6.0 qt	50/200
1	LVU14258	Hydraulic Filter		50
3	TY25083	John Deere Special Purpose Golf & Turf Cutting Unit Grease (14 oz) (Cutting Unit and Cutting Unit Attachments)		As Needed
3	TY6341	John Deere Multi-Purpose SD Polyurea Grease (14 oz) (Machine components, lift arms and rollers)		As Needed

\*Refer to Operators Manual for service intervals if using BioDiesel Fuel and Bio Hy-Gard.

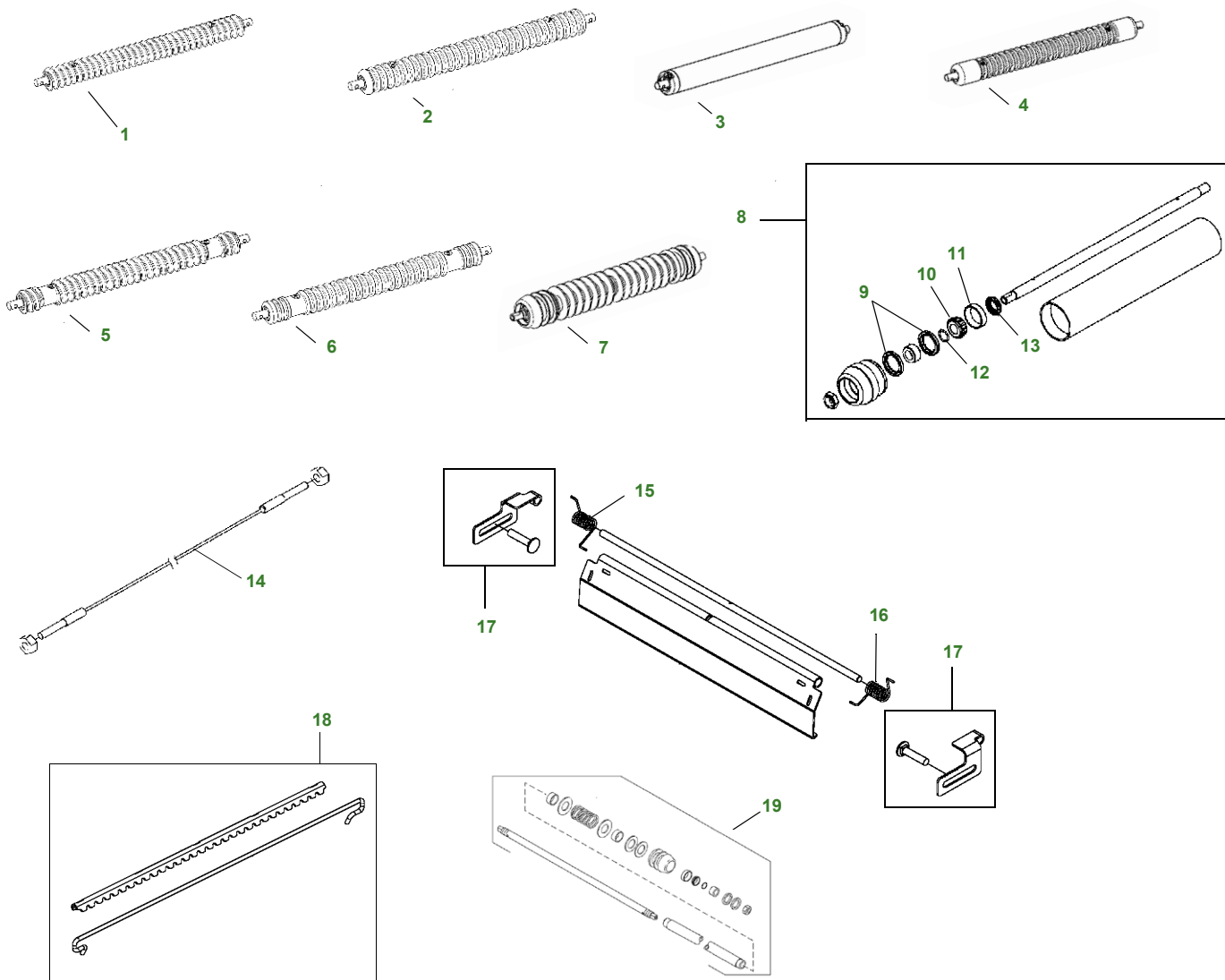
# 8000 E-Cut™ Hybrid Reel Cutting Unit



Key	Part No.	Description	Key	Part No.	Description
1	JD8226	.....BEARING CUP	10	TCU24460	.....BRACKET
2	JD8188	.....BEARING CONE	11	TCU24461	.....BRACKET
3	ET14566	.....SEAL	12	TCA18706	.....BRACKET
4	TCA19348	.....REEL - 7 BLADE	13	TCA18707	.....CUTTING UNIT MOTOR - 63" WIRING
	TCA19349	.....REEL - 11 BLADE			.....HARNESS
5	TCU25214	.....SHOE		TCA18430	.....CUTTING UNIT MOTOR - 27" WIRING
6	TCU31422	.....FAIRWAY HI CUT			.....HARNESS
	MT4846	.....TOURNAMENT	14	TCU17828	.....SYNCHRONOUS BELT
	TCU25299	.....STATIONARY KNIFE - 7 BLADE REEL			
	MT7350	.....STATIONARY KNIFE - 11 BLADE REEL			
7	21M7194	.....SCREW			
8	TCA18643	.....SHIELD			
9	TCU24328	.....ADJUSTER			

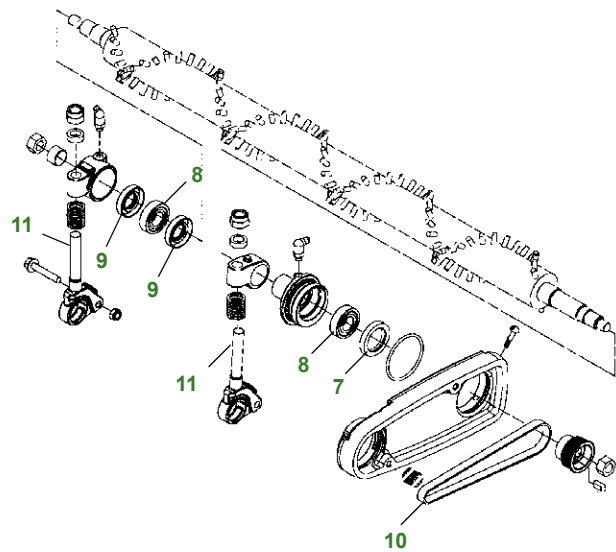
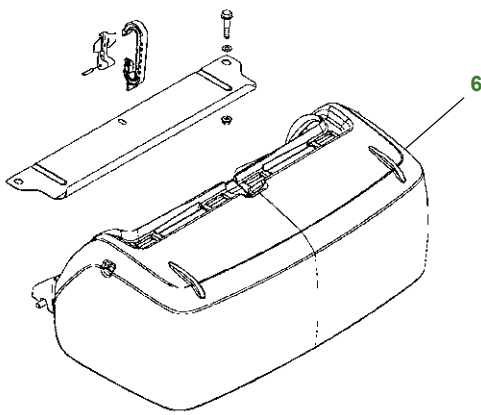
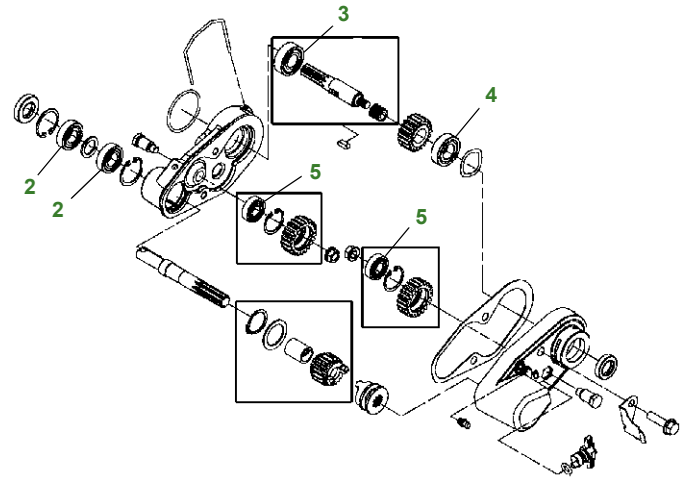
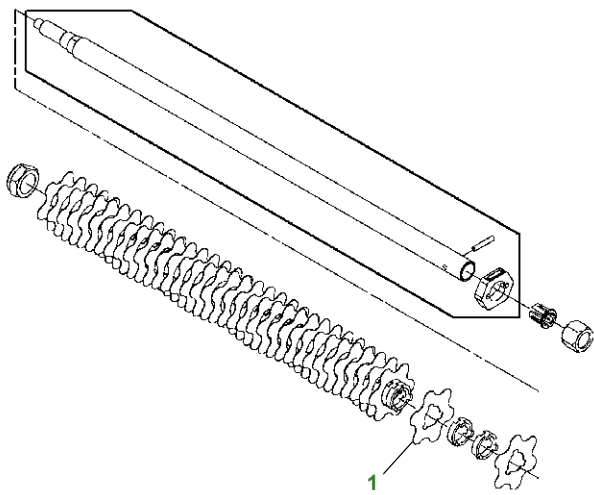
Fairway Mowers

# 8000 E-Cut Hybrid Cutting Unit Rollers



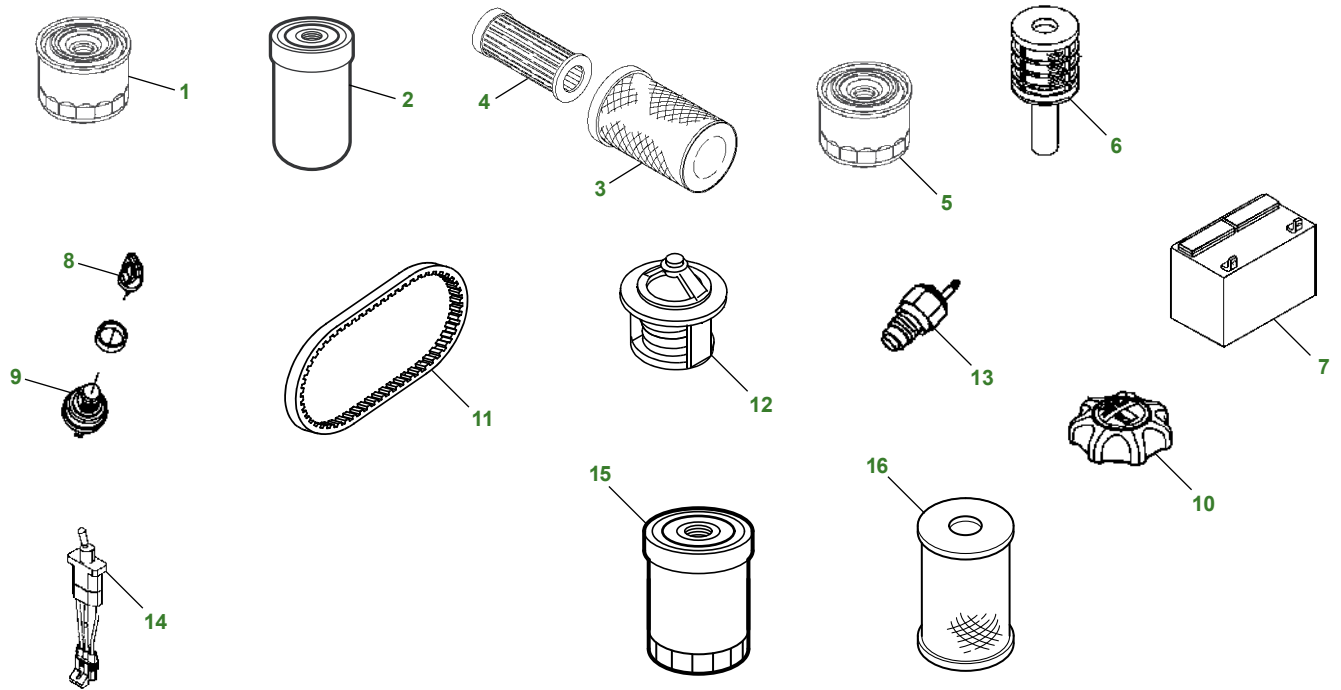
Key	Part No.	Description	Key	Part No.	Description
1	TCA19332	.....SPIRAL GROOVED ROLLER 2"	11	JD8226	.....BEARING CUP
2	TCA19232	.....GROOVED FRONT ROLLER 2"	12	U46731	.....O-RING
3	TCA19656	.....HOLLOW SMOOTH ROLLER 2"	13	MT739	.....SEAL
	AMT2981	.....MACHINED SMOOTH SOLID ROLLER 2"	14	TCA19596	.....CABLE (SMOOTH ROLLER SCRAPER)
4	AMT2979	.....MACHINED GROOVED SOLID ROLLER .....WITH SOLID END CAPS 2"	15	TCU27037	.....TORSION SPRING - LH
5	BM23567	.....MT SPIRAL ROLLER 2"	16	TCU27036	.....TORSION SPRING - RH
6	BTC10281	.....MT GROOVED ROLLER 2"	17	TCA19597	.....KIT - MOUNTING
7	TCA19510	.....GROOVED DISK ROLLER 3"	18	TCA19585	.....SCRAPER - GROOVED 18" X 2"
8	TCA19509	.....SMOOTH ROLLER 3"	19	TCA19510	.....GROOVED DISK ROLLER - 3"
9	ET15755	.....SEAL			
10	JD8188	.....BEARING CONE			

# 8000 E-Cut™ Hybrid FTC,Rear Brush and Grass Catcher



Key	Part No.	Description	Key	Part No.	Description
1	MT2624	.....KNIFE	7	TCU24983	.....SEAL
2	TCU24834	.....BALL BEARING	8	TCU24834	.....BALL BEARING
3	M802355	.....BEARING	9	MT6828	.....SEAL
4	JD8653	.....BALL BEARING	10	TCU32422	.....SYNCHRONOUS BELT
5	ET16027	.....BALL BEARING	11	TCU24826	.....BRACKET
6	TCA21300	.....GRASS CATCHER - LOW PROFILE			
	TCA18933	.....GRASS CATCHER - HIGH PROFILE			

# 7500A E-Cut™ Hybrid Fairway Mower



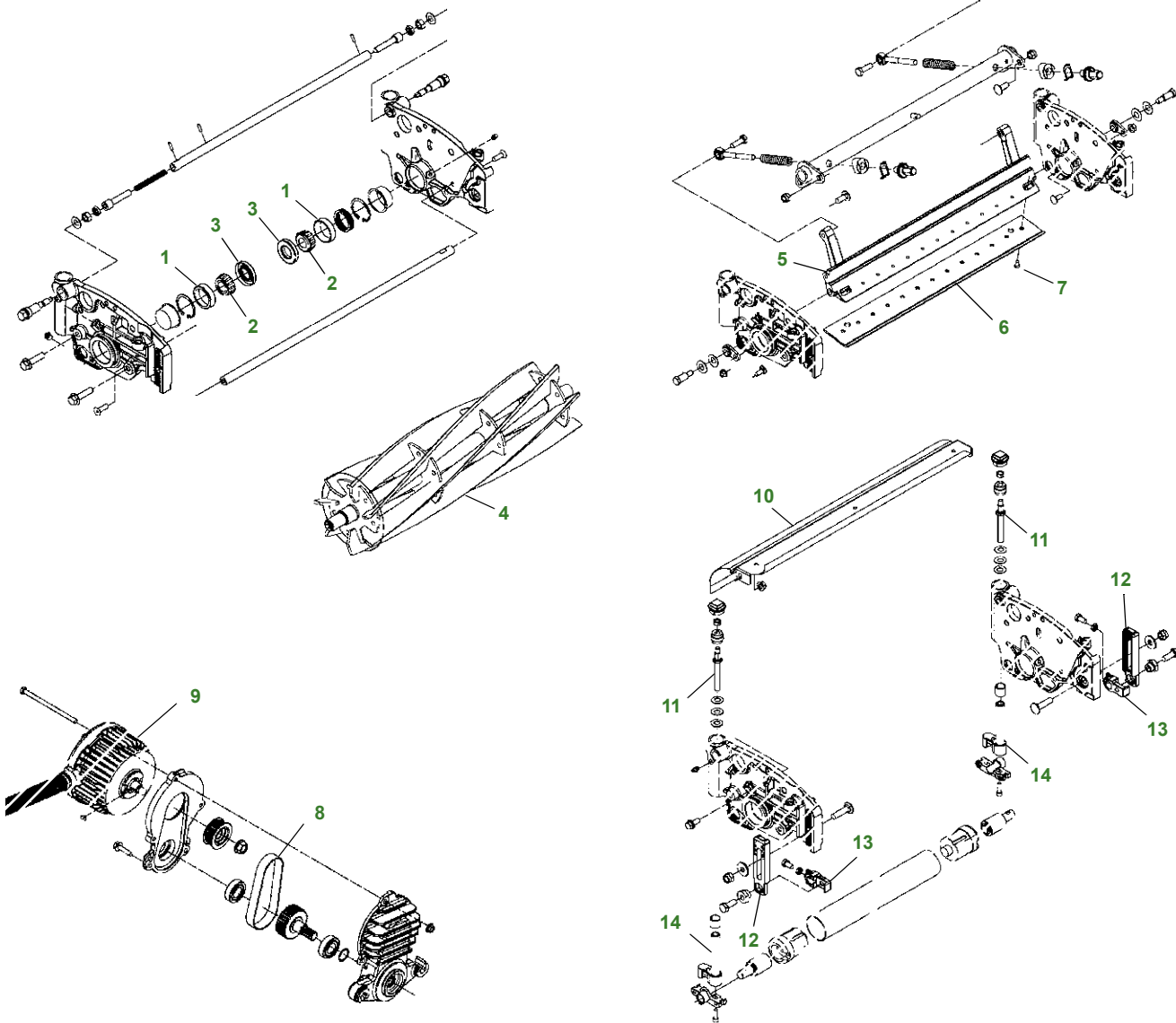
Key	Part No.	Description	Key	Part No.	Description
1	M806419	ENGINE OIL FILTER		TCU30780	BELT - FAN - TIER 4
2	RE69054	HYDRAULIC OIL FILTER	12	M811034	THERMOSTAT
3	RE68048	AIR FILTER - PRIMARY	13	CH15516	WATER TEMP SWITCH
4	RE68049	AIR FILTER - SECONDARY	14	TCA15095	REEL MOTOR CONTROL SWITCH
5	MIU800645	FUEL FILTER		TCA15096	REEL MOTOR CONTROL SWITCH
6	M811032	FUEL SEPARATOR	15	MIU803127	FUEL FILTER - FINAL - TIER 4
7	TY25876	BATTERY	16	MIU802421	FUEL FILTER - PRIMARY - TIER 4
8	AM125504	KEY			
9	TCA22740	SWITCH			
10	TCA24601	FILLER CAP			
11	TCU38089	BELT - FAN			

### Parts Needed in First 250 hours of Operation

Qty	Part No.	Item	Capacity	Interval In Hours
2	M806419	Engine Oil Filter		50/200
3	TY26673	Plus-50™ II 15W-40 Engine Oil - 1 gal	5.6 qt	50/200
1	RE69054	Hydraulic Filter		50
3	TY25083	Golf and Turf Cutting Unit Grease (14 oz) (Cutting Unit and Cutting Unit Attachments)		As Needed
3	TY6341	Multi Purpose SD Polyurea Grease (14 oz) (Machine and Lift Arms)		As Needed

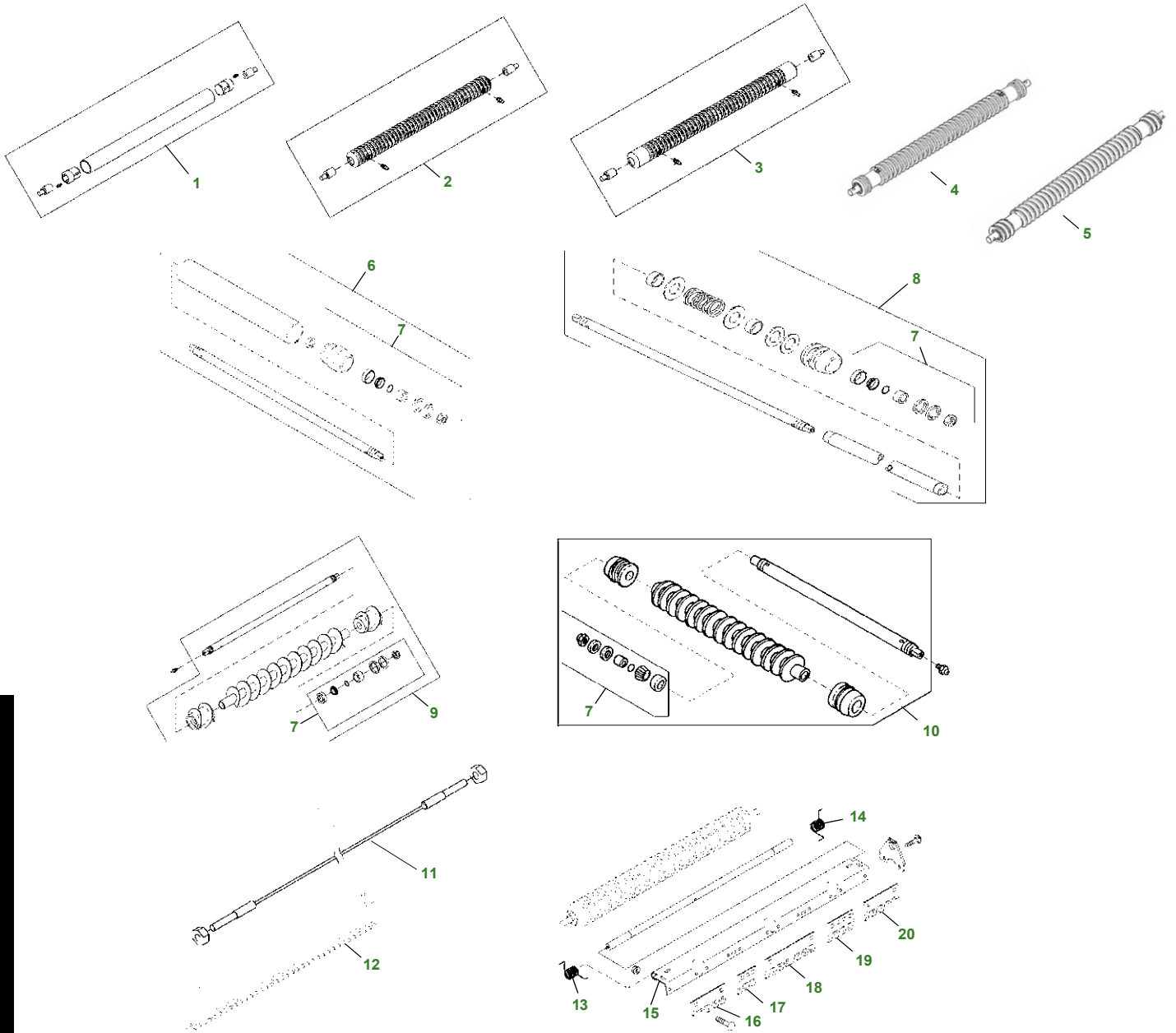
\*Refer to Operators Manual for service intervals if using BioDiesel Fuel and Bio Hy-Gard.

# 7500A E-Cut™ Hybrid Reel Cutting Unit



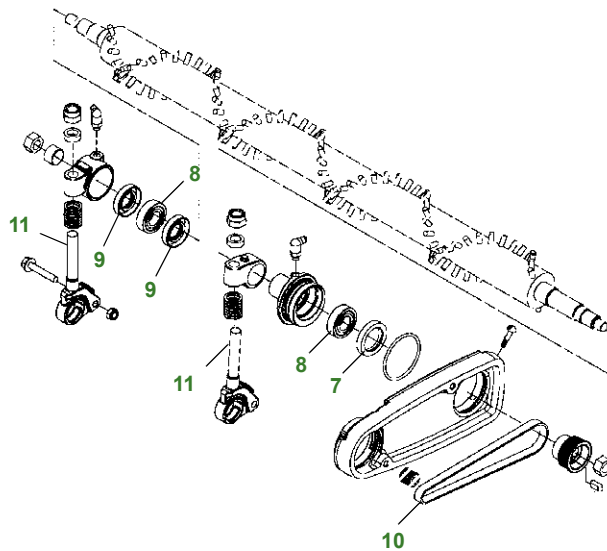
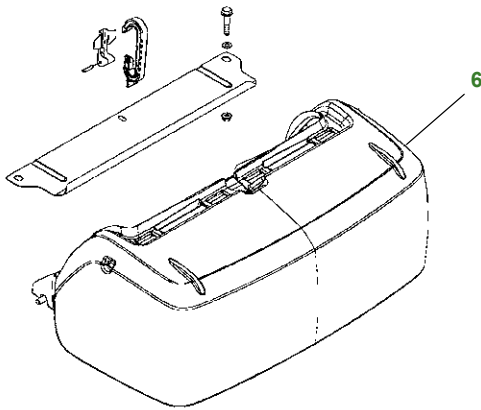
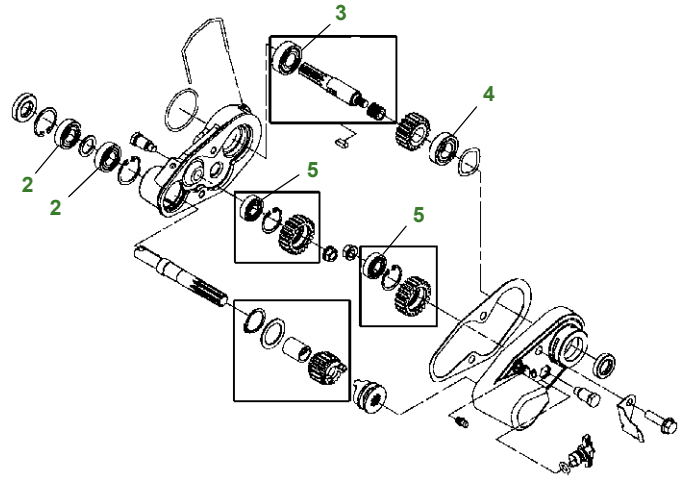
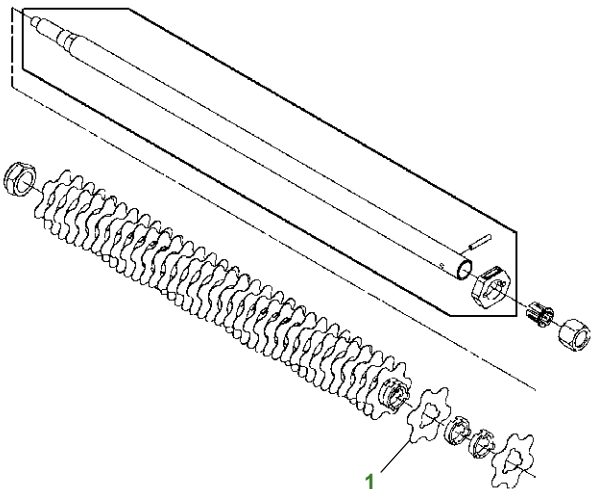
Key	Part No.	Description	Key	Part No.	Description
1	JD8226	.....BEARING CUP	7	21M7194	.....SCREW
2	JD8188	.....BEARING CONE	8	TCU33535	.....SYNCHRONOUS BELT
3	ET14566	.....SEAL	9	TCA23651	.....CUTTING UNIT MOTOR - 60 in. HARNES
4	TCA19350	.....REEL - 7-BLADE	10	TCA19624	.....SHIELD
	TCA19351	.....REEL - 11-BLADE	11	TCU24328	.....ADJUSTER
5	TCU35968	.....SHOE	12	TCU24460	.....BRACKET
6	ET17767	.....BEDKNIFE - FAIRWAY - HI-CUT	13	TCU24461	.....BRACKET
	ET17532	.....BEDKNIFE - FAIRWAY - LOW-CUT 7-BLADE	14	TCA18706	.....ADJUSTER
	ET11066	.....BEDKNIFE - 3.0 mm W/ HARDENED INSERT			
	ET17534	.....BEDKNIFE - TOURNAMENT			
	ET17533	.....BEDKNIFE - STANDARD			
	TCU36165	.....BEDKNIFE - HARDENED LESS AGGRESSIVE LOW-CUT			
	MT7351	.....BEDKNIFE LOW-CUT - 11-BLADE			

# 7500A E-Cut™ Hybrid Cutting Unit Rollers



Key	Part No.	Description	Key	Part No.	Description
1	AMT2876	ROLLER - SMOOTH TUBE (2 in.)	10	AMT1286	ROLLER - SPIRAL W/GROOVED END CAPS (3 in.)
	AMT2878	ROLLER - SMOOTH SOLID (2 in.)	11	BM22995	SCRAPER - SMOOTH ROLLER
2	AMT2880	ROLLER - MACHINED SPIRAL (2 in.)	12	TCA19547	SCRAPER - GROOVED (22 X 2 in.)
	AMT2875	ROLLER - GROOVED (22.5 in.)	13	ET17629	TORSION SPRING - LH
	AMT2877	ROLLER - GROOVED (23.25 in.)	14	ET17630	TORSION SPRING - RH
3	AMT2879	ROLLER - EXTENDED GROOVED (2 in.)	15	MT2369	SCRAPER
4	BTC10267	ROLLER - MACHINED GROOVED - ATTACHMENT	16	MT5159	SCRAPER - LH END
5	BM23566	ROLLER - SPIRAL GROOVED	17	MT2342	SCRAPER - 3 TOOTH
6	AMT2967	ROLLER - SMOOTH (3 in.)	18	MT2340	SCRAPER - CENTER
7	AET10632	SEAL KIT	19	MT2341	SCRAPER - 4 TOOTH
8	AMT2966	ROLLER - DISK (3 in.)	20	MT5158	SCRAPER - RH END
9	AMT2467	ROLLER - CONTINUOUS SPIRAL (3 in.)			

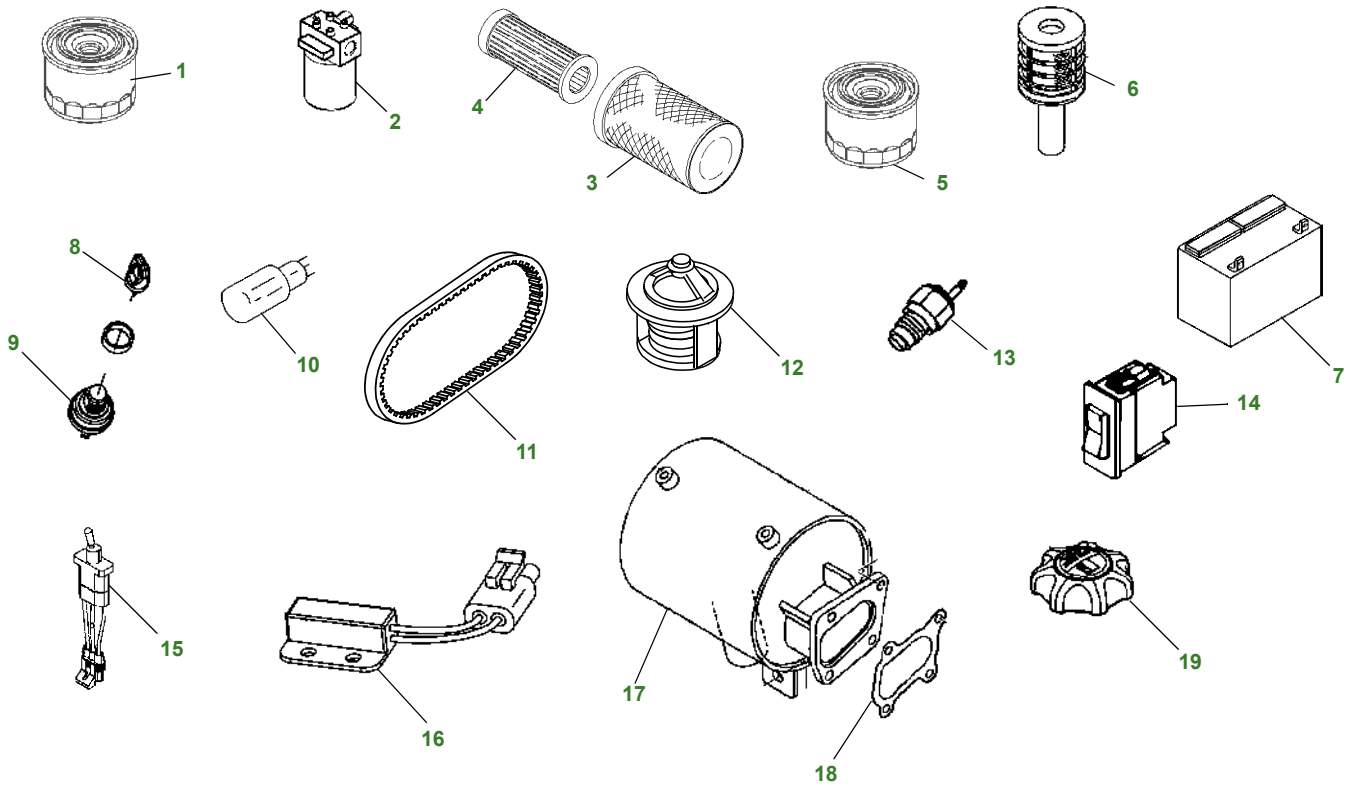
# 7500A E-Cut™ Hybrid FTC, Rear Brush and Grass Catcher



Key	Part No.	Description
1	MT2624	KNIFE
2	TCU24834	BALL BEARING
3	M802355	BALL BEARING
4	JD8653	BALL BEARING
5	ET16027	BALL BEARING
6	BTC10718	GRASS CATCHER - LOW PROFILE
	BTC10719	GRASS CATCHER - HIGH PROFILE

Key	Part No.	Description
7	TCU24983	SEAL
8	TCU24834	BALL BEARING
9	MT6828	SEAL
10	TCU32422	SYNCHRONOUS BELT
11	TCU24826	BRACKET

# 7500/8500 E-Cut™ Hybrid Fairway Mower



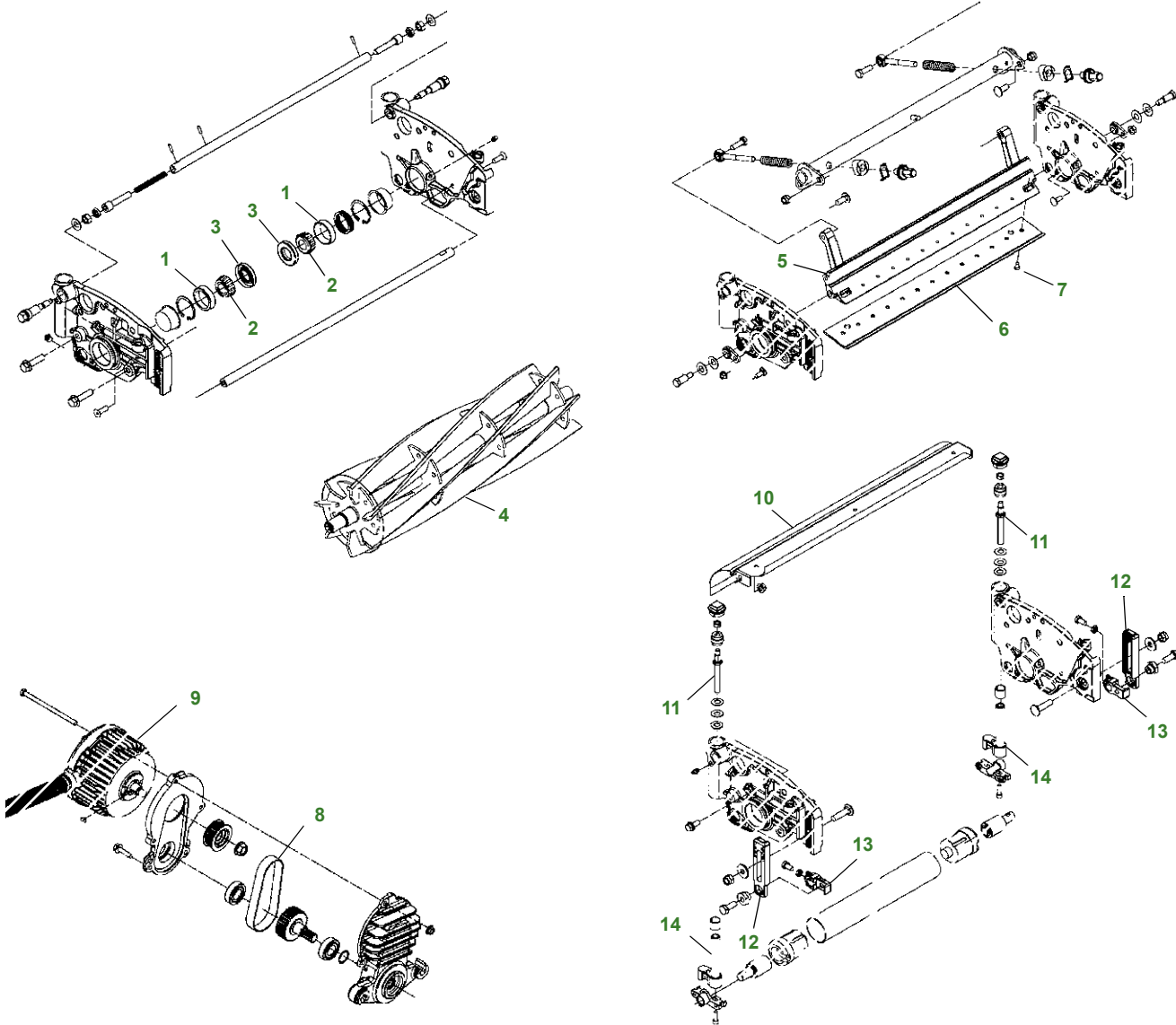
Key	Part No.	Description	Key	Part No.	Description
1	M806419	OIL FILTER ELEMENT - ENGINE	12	M811034	THERMOSTAT
2	RE69054	HYDRAULIC FILTER	13	CH15516	WATER TEMP SWITCH
3	RE68048	AIR FILTER ELEMENT - PRIMARY	14	AM117324	HEADLIGHT SWITCH
4	RE68049	AIR FILTER ELEMENT - SECONDARY	15	TCA15095	REEL MOTOR CONTROL SWITCH
5	MIU800645	FUEL FILTER		TCA15096	REEL MOTOR CONTROL SWITCH
6	M811032	FUEL SEPARATOR ELEMENT	16	AE74100	MOW/TRANS SWITCH
7	TY25876	BATTERY	17	M811461	MUFFLER
8	AM125504	KEY	18	RG60592	GASKET
9	TCA22740	SWITCH	19	AM123508	FILLER CAP
10	AH208904	BULB - WORKLIGHT			
11	TCU23131	BELT - FAN			

## Parts Needed in First 250 hours of Operation

Qty	Part No.	Item	Capacity	Interval In Hours
2	M806419	Engine Oil Filter		50/200
2	TY26675	2 1/2 gal Plus 50 15W40 Engine Oil	6.0 qt	50/200
1	RE69054	Hydraulic Filter		50
3	TY25083	Golf and Turf Cutting Unit Grease (14 oz) (Cutting Unit and Cutting Unit Attachments)		As Needed
3	TY6341	Multi Purpose SD Polyurea Grease (14 oz) (Machine and Lift Arms)		As Needed

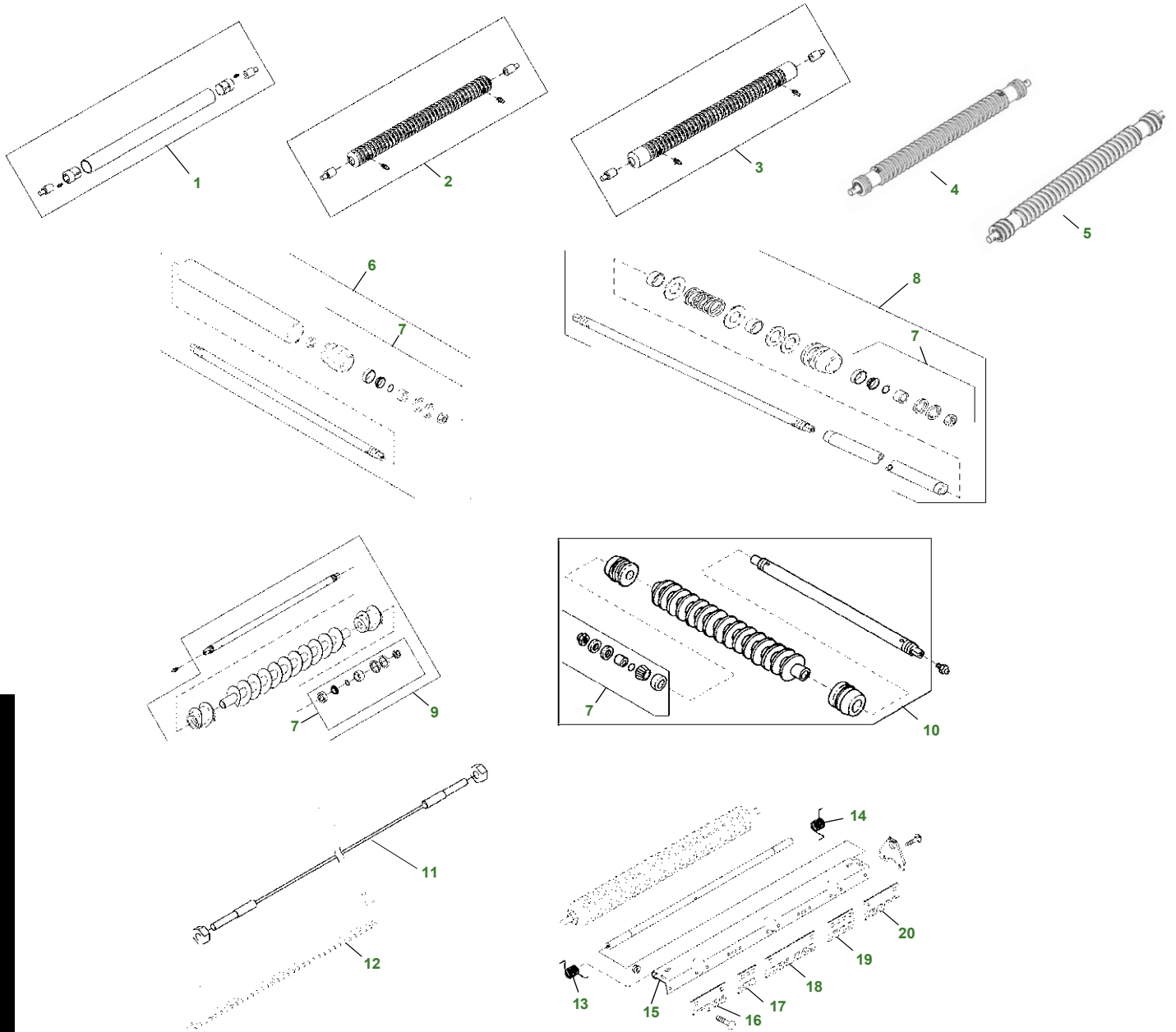
\*Refer to Operators Manual for service intervals if using BioDiesel Fuel and Bio Hy-Gard.

# 7500/8500 E-Cut™ Hybrid Reel Cutting Unit



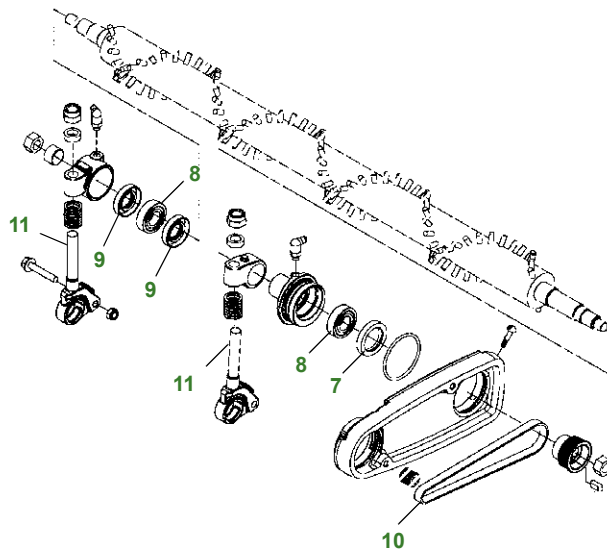
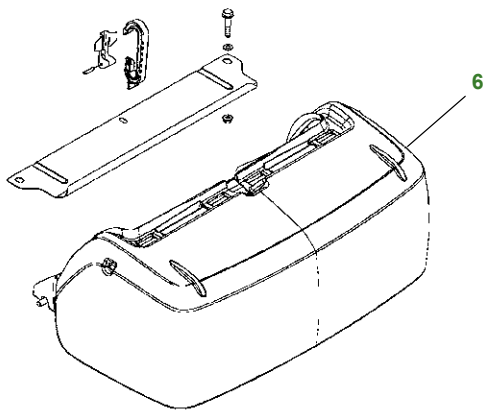
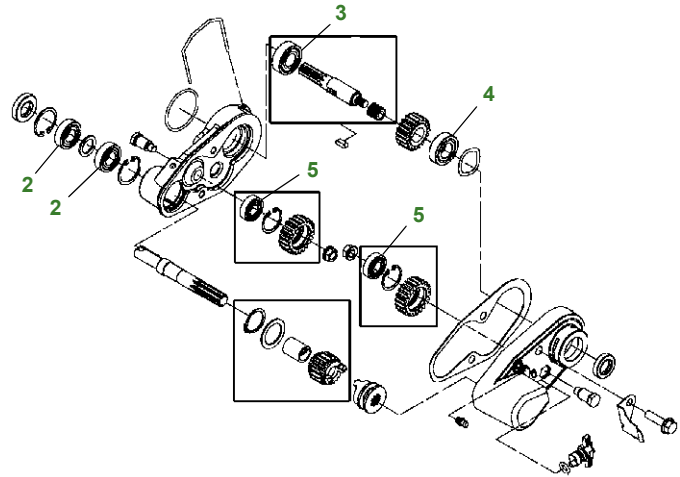
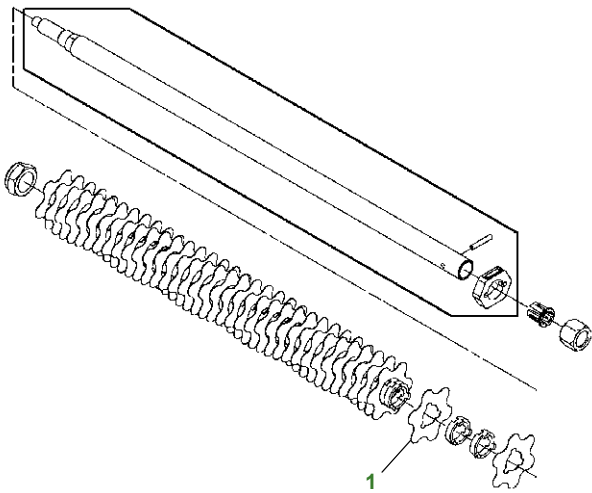
Key	Part No.	Description	Key	Part No.	Description
1	JD8226	.....BEARING CUP		ET17533	.....KNIFE - STANDARD
2	JD8188	.....BEARING CONE		MT7351	.....LO - CUT STANDARD ON 11 BLADE REEL
3	ET14566	.....SEAL	7	21M7194	.....SCREW
4	TCA19350	.....REEL - 7 BLADE	8	TCU17828	.....SYNCHRONOUS BELT
	TCA19351	.....REEL - 11 BLADE	9	TCA18707	.....CUTTING UNIT MOTOR - 63" HARNESS
5	TCU24332	.....SHOE		TCA18430	.....CUTTING UNIT MOTOR - 27" HARNESS
6	ET17767	.....KNIFE - FAIRWAY HI-CUT	10	TCA19624	.....SHIELD
	ET17532	.....KNIFE - FAIRWAY LO-CUT STANDARD	11	TCU24328	.....ADJUSTER
	.....ON 7 BLADE REEL		12	TCU24460	.....BRACKET
	ET11066	.....KNIFE - STANDARD GREENS W/HARDENED	13	TCU24461	.....BRACKET
	.....INSERT		14	TCA18706	.....ADJUSTER
	ET17534	.....KNIFE - TOURNAMENT			

# 7500/8500 E-Cut™ Hybrid Cutting Unit Rollers



Key	Part No.	Description	Key	Part No.	Description
1	AMT2876	.....SMOOTH ROLLER - TUBE (2 INCH)			.....CAPS (3 INCH)
	AMT2878	.....SMOOTH ROLLER - SOLID (2 INCH)	11	BM22995	.....SMOOTH ROLLER SCRAPER
2	AMT2880	.....MACHINED ROLLER - SPIRAL (2 INCH)	12	AMT1087	.....SCRAPER (USE WITH AMT2875 GROOVED)
	AMT2875	.....ROLLER - GROOVED (22.5 IN LONG)		AMT1342	.....SCRAPER (USE WITH AMT2877 EXT GROOVED)
	AMT2877	.....ROLLER - GROOVED (23.25 IN LONG)	13	ET17629	.....TORSION SPRING - LH
3	AMT2879	.....EXTENDED ROLLER - GROOVED (2 INCH)	14	ET17630	.....TORSION SPRING - RH
4	BTC10267	.....MT GROOVED ROLLER	15	MT2369	.....SCRAPER
5	BM23566	.....SPIRAL GROOVE ROLLER	16	MT5159	.....SCRAPER - LH END
6	AMT2967	.....SMOOTH ROLLER (3 INCH)	17	MT2342	.....SCRAPER - 3 TOOTH
7	AET10632	.....SEAL KIT	18	MT2340	.....SCRAPER - CENTER
8	AMT2966	.....DISK ROLLER (3 INCH)	19	MT2341	.....SCRAPER - 4 TOOTH
9	AMT2467	.....ROLLER - CONTINUOUS SPIRAL (3 INCH)	20	MT5158	.....SCRAPER - RH END
10	AMT1286	.....ROLLER - SPIRAL W/GROOVED END			

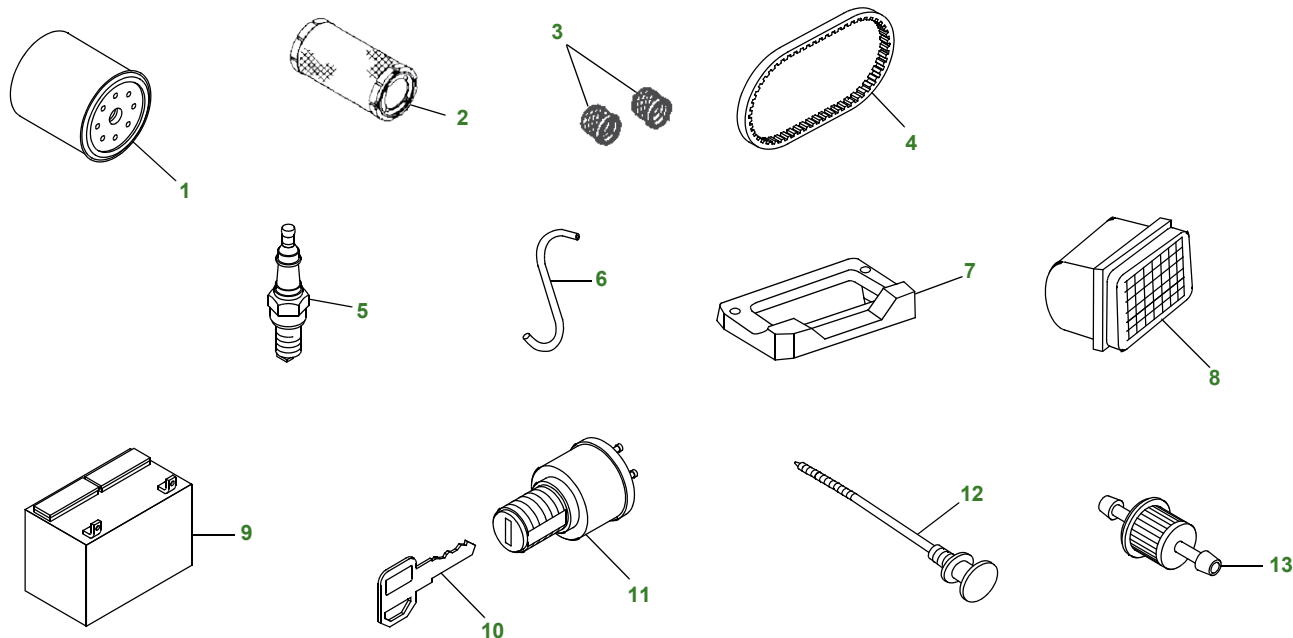
# 7500/8500 E-Cut™ Hybrid FTC, Rear Brush and Grass Catcher



Key	Part No.	Description
1	MT2624	KNIFE
2	TCU24834	BALL BEARING
3	M802355	BEARING
4	JD8653	BALL BEARING
5	ET16027	BALL BEARING
6	TCA21302	GRASS CATCHER - LOW PROFILE
	TCA21303	GRASS CATCHER - HIGH PROFILE

Key	Part No.	Description
7	TCU24983	SEAL
8	TCU24834	BALL BEARING
9	MT6828	SEAL
10	TCU32422	SYNCHRONOUS BELT
11	TCU24826	BRACKET

# 1200A Bunker and Field Rake

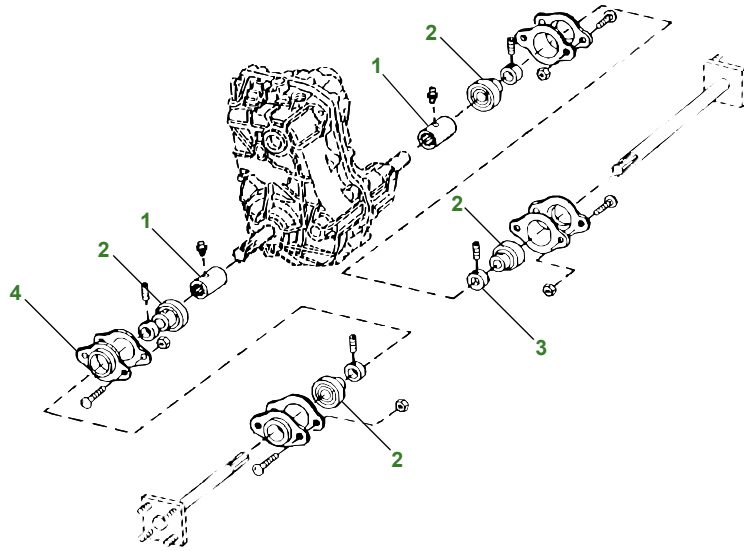


Key	Part No.	Description	Key	Part No.	Description
1	AM107423	.....ENGINE OIL FILTER		TY25221	.....BATTERY (S/N 190001-)
2	M113621	.....ENGINE AIR FILTER	10	TCA22740	.....SWITCH
3	AW26476	.....HYDRAULIC OIL FILTER	11	AM131841	.....KEY
4	MT2748	.....BELT (S/N -925552)	12	AM129722	.....CHOKE CABLE
	RE28721	.....BELT (S/N 925553-)	13	AM116304	.....FUEL FILTER
5	M802138	.....SPARK PLUG			
6	M154055	.....HOSE - FUEL LINE (S/N 180001-)			
7	M76053	.....COVER - BATTERY			
8	AW27203	.....HEADLIGHT ASSY (S/N -190000)			
	TCA21751	.....HEADLIGHT ASSY (S/N 190001-)			
	RE30948	.....BULB			
9	TY25878	.....BATTERY (S/N -190000)			

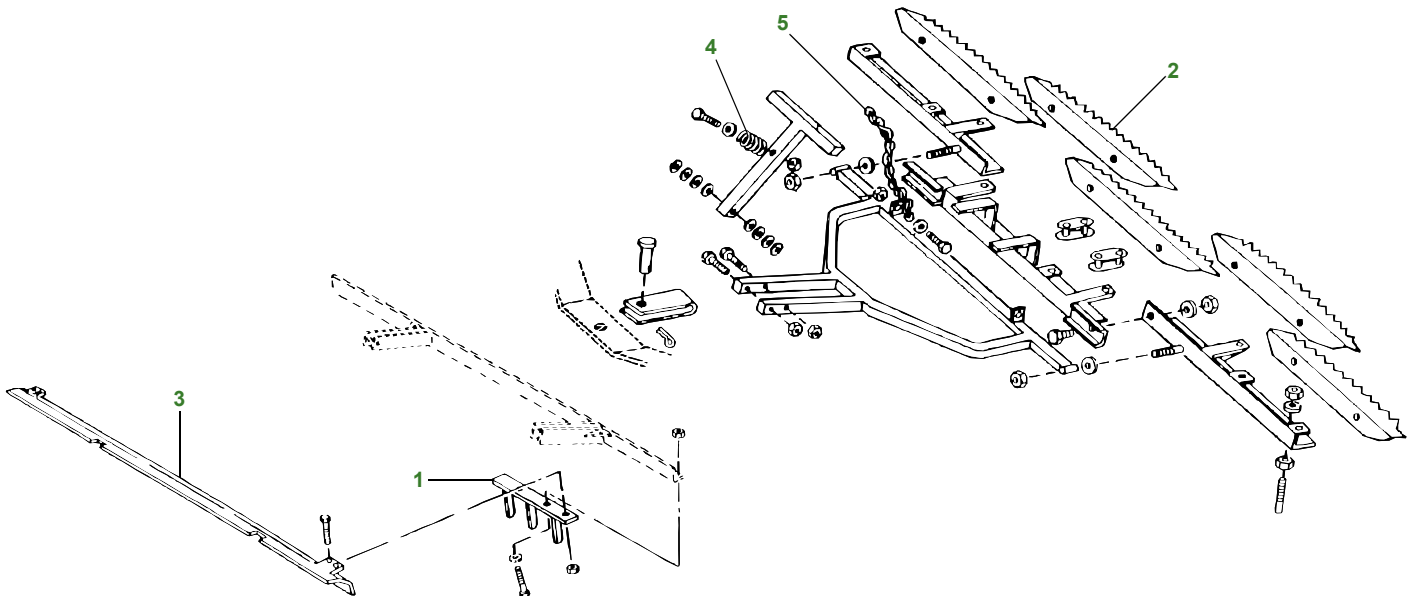
## Parts Needed in First 200 hours of Operation

Qty	Part No.	Item	Capacity	Interval In Hours
3	AM107423	Engine Oil Filter		10/100/200
5	TY22029	TURF-GARD™ 10W-30 Engine Oil - 1 qt	1.4 qt	10/100/200
3	TY6341	John Deere Multi-Purpose SD Polyurea Grease (14 oz)		As Needed
1	M802138	Spark Plug		200

# 1200A Bunker and Field Rake (Continued)

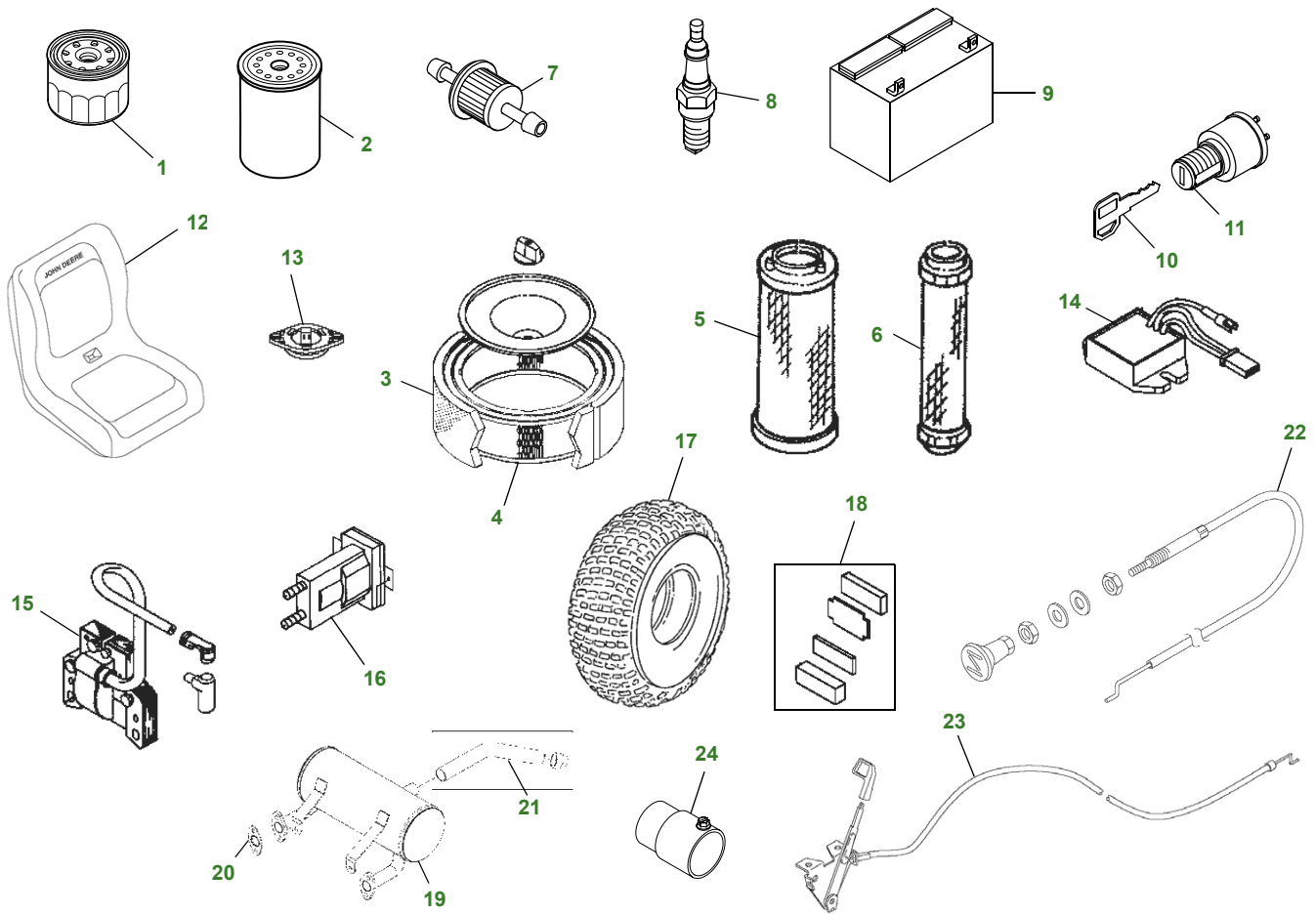


Key	Part No.	Description	Key	Part No.	Description
1	ET15277	.....ADAPTOR	3	JD8554	.....LOCKING COLLAR
2	JD8665	.....BALL BEARING	4	M66125	.....FLANGED HOUSING



Key	Part No.	Description	Key	Part No.	Description
1	AET10644	.....NARROW INTERVAL	3	AET10756	.....BLADE
	AET10702	.....WIDE INTERVAL	4	ET15634	.....COMPRESSION SPRING
2	TCU17594	.....BLADE - BUNKER RAKE SERRATED	5	ET15855	.....LINK CHAIN
	ET15235	.....BLADE - FIELD RAKE SMOOTH			

# 1200 Hydro Rake



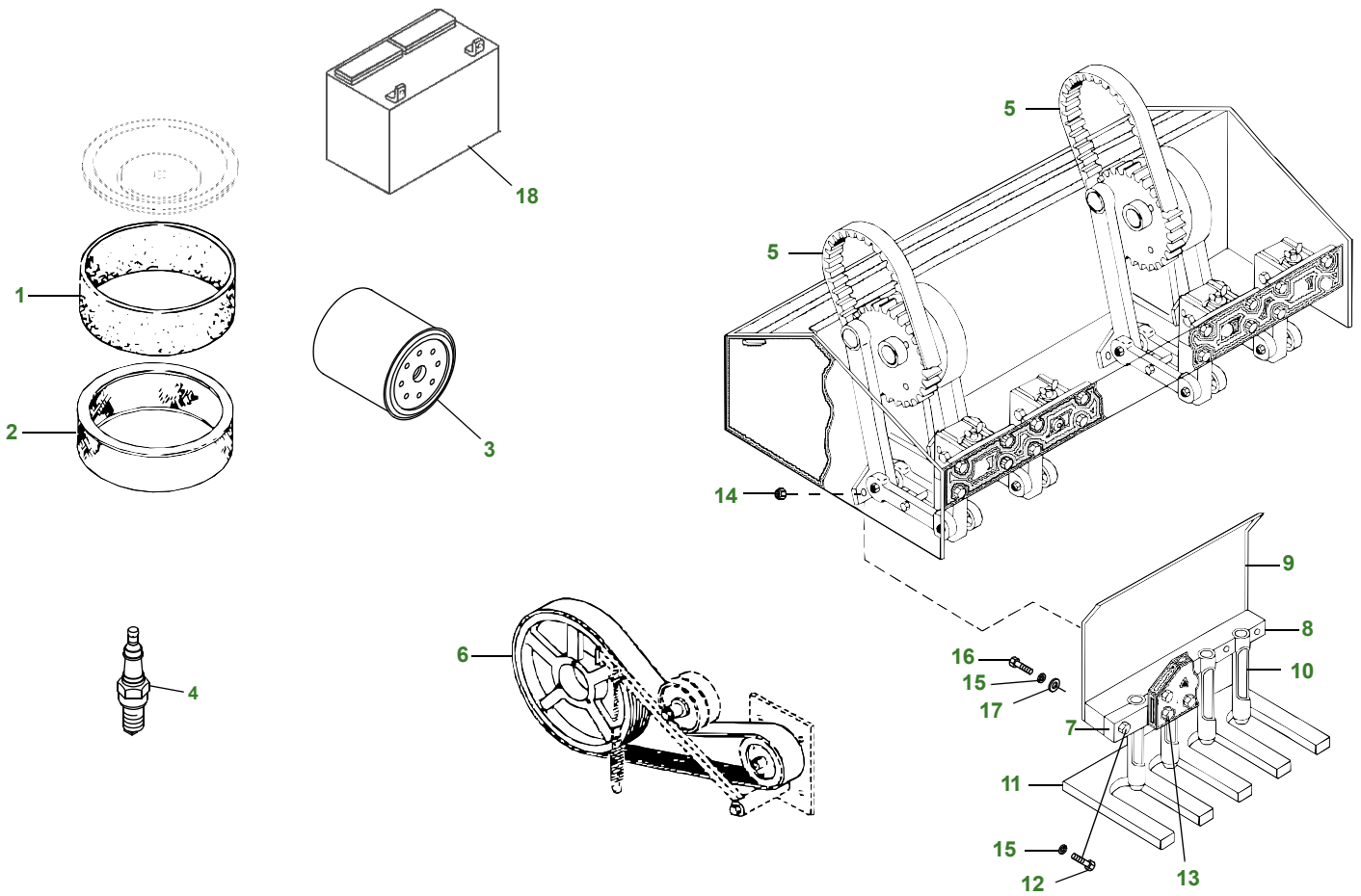
Key	Part No.	Description	Key	Part No.	Description
1	AM125424	ENGINE OIL FILTER	14	MIU12514	REGULATOR
2	AT38431	HYDRAULIC OIL FILTER	15	MIU13036	IGNITION COIL
3	LG272490S	AIR FILTER - FOAM	16	TCU20031	STARTER SOLENOID
4	LG394018JD	AIR FILTER - PAPER	17	TCU29626	TIRE
5	M113621	AIR FILTER - PRIMARY	18	TCU19845	KIT - BRAKE PAD
6	M123378	AIR FILTER - SECONDARY	19	TCU29633	MUFFLER
7	AM116304	FUEL FILTER	20	TCU19847	GASKET (S/N -040000)
8	M78543	SPARK PLUG (S/N -040000)	21	AM133862	MUFFLER EXTENSION (S/N -040001-)
	MIU11020	SPARK PLUG (S/N 040001-)	22	D38146	CHOKE CABLE
9	TY25876	BATTERY	23	TCA13820	THROTTLE CABLE
10	TCU29304	KEY	24	AW26849	ARRESTOR (S/N 040001-)
11	TCU28961	IGNITION SWITCH			
12	TCA21044	SEAT			
13	AET10449	SEAT SWITCH (USE WITH AM128146)			
	AM125824	SEAT SWITCH (USE WITH TCA21044 or TCA17404)			

# 1200 Hydro Rake (Continued)

## Parts Needed in First 250 hours of Operation

Qty	Part No.	Item	Capacity	Interval In Hours
6	AM125424	Engine Oil Filter		8/50/100/150/200/250
9	TY22029	TURF-GARD™ 10W-30 Engine Oil - 1 qt	1.5 qt	8/50/100/150/200/250
1	AT38431	Hydraulic Oil Filter		250
4	TY26673	JD Plus-50™ II 15W-40 Oil - Hydraulic Oil - 1 gal	3.2 gal	250
1	AM116304	Fuel Filter		200
4	M78543	Spark Plug (S/N -040000)		100/200
4	MIU11020	Spark Plug (S/N 040001-)		100/200
1	LG272490S	Air Filter Element		200
1	M113621	Pre-Cleaner Element		200
3	TY6341	John Deere Multi-Purpose SD Polyurea Grease (14 oz)		As Needed

# 800 Aercore™ Aerator



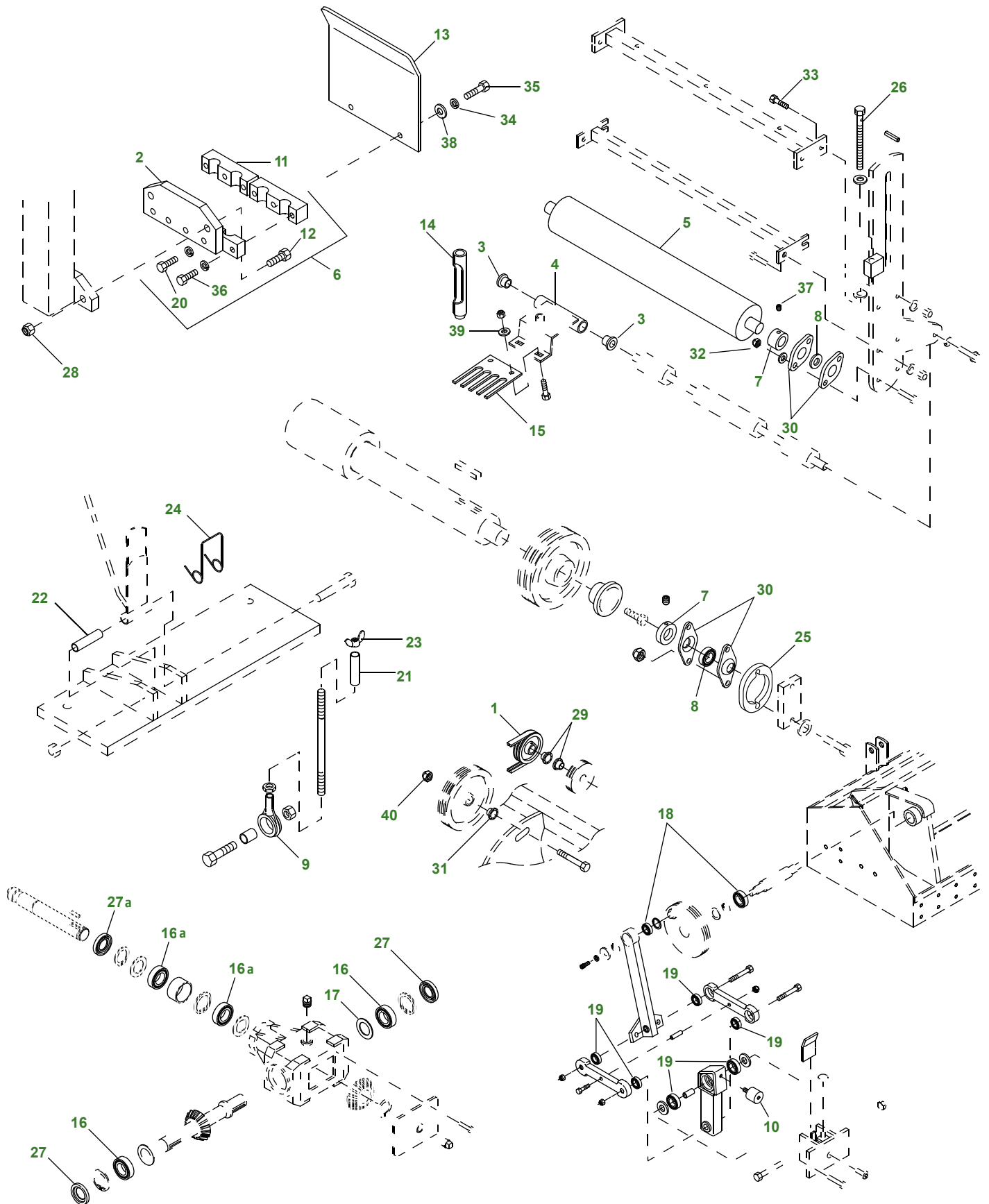
Key	Part No.	Description	Key	Part No.	Description
1	M132439	AIR FILTER - PRE CLEANER (S/N - 060000)	11	MT4885	GUARD - RH-TURF
2	M47494	AIR FILTER (S/N - 060000)		MT4886	GUARD - LH-TURF
3	AM125424	ENGINE OIL FILTER		MT4942	GUARD - (MINI-TINE/NEEDLE TINE - RH)
4	M78543	SPARK PLUG (S/N -045000)		MT4941	GUARD - (MINI-TINE - LH)
	M149113	SPARK PLUG (S/N 045001-060000)	12	19H4033	SCREW (USE WITH AMT1831 AND MT3458)
	MIU11299	SPARK PLUG (S/N 060001-)		19H3130	SCREW (USE WITH TCA51329 AND TCU51844)
5	MT3256	TINE RAM DRIVE BELT		R34582	SET SCREW - (MINI-TINE)
6	MT3429	BELT - AERATOR HEAD DRIVE	13	MT2952	SCREW
7	AMT1831	HOLDER (4 X .75 in.)	14	MT3395	LOCK NUT
	AMT1832	HOLDER (MINI-TINE)	15	MT3949	LOCK WASHER (USE WITH 19H4033)
	TCA51329	HOLDER (4 X .88 in.)		12H303	LOCK WASHER (USE WITH 19H3130)
	TCA51344	HOLDER (NEEDLE TINE)	16	19H1905	CAP SCREW (DEFLECTOR)
8	MT3458	BAR (4 X .75 in.)		19H1849	SCREW (NEEDLE TINE)
	TCU51844	BAR (4 X .88 in.)	17	24H1136	WASHER (DEFLECTOR)
	TCU51898	BAR (NEEDLE TINE)	18	TY25881	BATTERY
9	MT3870	DEFLECTOR	19	GY20576	AIR FILTER (S/N 060001 -)
10		TINES - SEE TINE CHART	20	12M7056	LOCK WASHER
				12H303	LOCK WASHER (USE WITH 19H1849)

# 800 Aercore™ Aerator (Continued)

## Parts Needed in First 200 hours of Operation

Qty	Part No.	Item	Capacity	Interval In Hours
6	AM125424	Engine Oil Filter		10/100/200
6	TY22029	TURF-GARD™ 10W-30 Engine Oil - 1 qt	1.9 qt	10/100/200
4	M78543	Spark Plug (S/N -045000)	2	200
4	M149113	Spark Plug (S/N 045001-060000)	2	200
4	MIU11299	Spark Plug (S/N 060001-)	2	200
1	M132439	Air Filter - Pre Cleaner (S/N -060000)		100/200
1	M47494	Air Filter (S/N -060000)		100/200
1	GY20576	Air Filter (S/N 060001-)		100/200
3	TY6341	Multi Purpose SD Polyurea Grease (14 oz)		As Needed
1	TY6354	Hy-Gard™ (JDM J20C) Hydraulic Oil - 1 gal	2 qt	200
Tines - See Tine Chart				As Needed

# 1000 / 1500 / 2000 Aercore™ Aerator



Aeration & Debris Maintenance

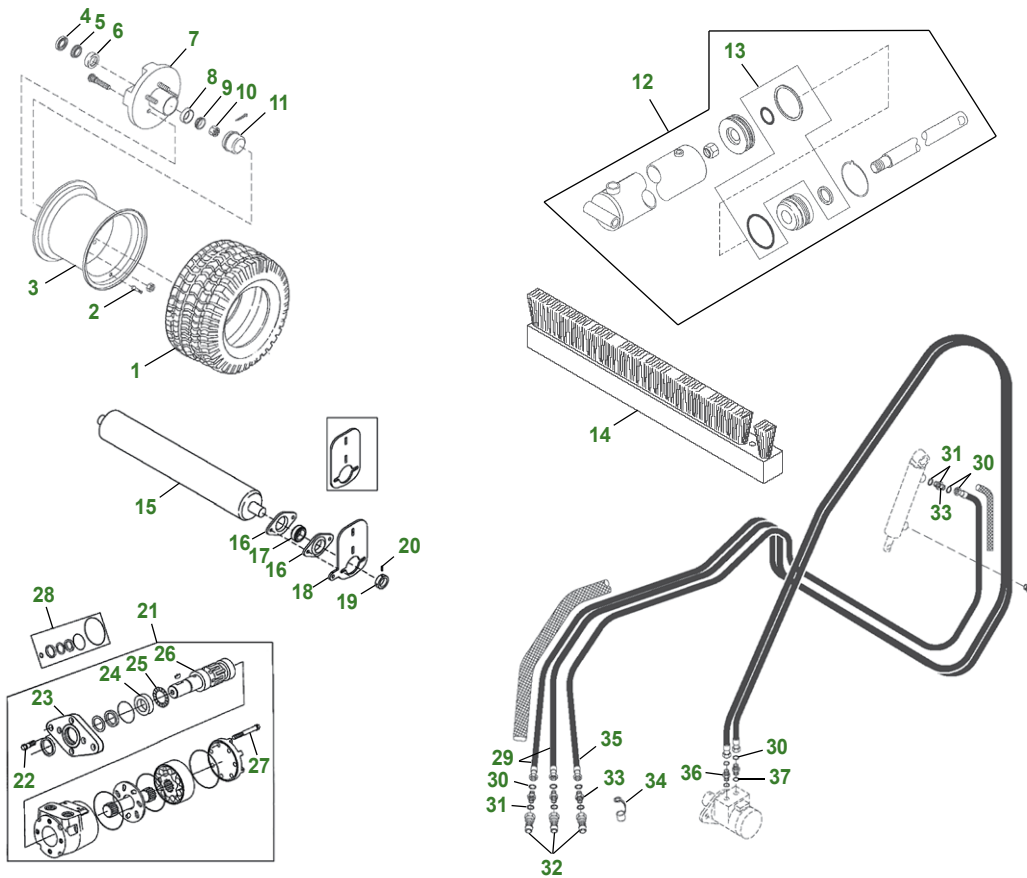
# 1000 / 1500 / 2000 Aercore™ Aerator (Continued)

Key	Part No.	Description	Key	Part No.	Description
1	MT3040	BELT	18	MT3065	BALL BEARING
2	AMT1566	HOLDER (4 X .75 in.) (B)	19	MT3069	BALL BEARING
	AMT1567	HOLDER (4 X .88 in.) (A)	20	19H3130	CAP SCREW
	AMT1568	HOLDER (3 X .75 in.) (B)	21	MT3182	SLEEVE (FOR 855 & 955 TRACTORS)
	AMT1569	HOLDER (3 X .88 in.) (A)		TCU51161	STOP (FOR 4000 SERIES TRACTORS)
3	MT3100	BEARING - NYLON	22	MT3183	BUSHING
4	AMT1588	PIVOT (C); (D) (S/N -030000)	23	MT3186	WING NUT
	AMT2538	PIVOT (D) (S/N 030001-); (E)	24	MT3188	EXTENSION SPRING
5	AMT1590	ROLLER (D) (S/N -030000)			(FOR 855 & 955 TRACTORS)
	AMT1696	ROLLER (C) (S/N -030000)		TCU51162	EXTENSION SPRING
	AMT2532	ROLLER (D) (S/N 030001-)			(FOR 4000 SERIES TRACTORS)
	AMT2534	ROLLER (C) (S/N 030001-)	25	MT3317	SPACER
	TCA51336	ROLLER (E)	26	MT3321	SCREW (C) (D) (S/N -050000); (E)
6	AMT1595	HOLDER (1000/1500) (B)			(S/N -020000)
	AMT1611	HOLDER (A)		TCA14546	ROD (C) (D) (S/N 050001-); (E)
	AMT1612	HOLDER (B)			(S/N 020001-)
	AMT1613	HOLDER (A)	27	M72979	SEAL (2) OUTPUT SHAFT
7	JD8544	LOCKING COLLAR	27a	TCA21016	SEAL - INPUT SHAFT
8	JD8545	BALL BEARING	28	MT3395	LOCK NUT
9	MT239	TIE ROD END (FOR 855 & 955 TRACTORS)	29	MT3055	BUSHING
	TCU51160	ARM (FOR 4000 SERIES TRACTORS)	30	N120535	FLANGE HOUSING
10	MT2947	BUMPER	31	MT3064	BUSHING
11	MT2948	BAR (4 X .75 in.)	32	T11234	LOCK NUT
	MT2949	BAR (4 X .88 in.)	33	03H1558	BOLT
	MT2950	BAR (3 X .75 in.)	34	12H303	LOCK WASHER
	MT2951	BAR (3 X .88 in.)	35	19H1905	CAP SCREW
12	MT2952	SCREW	36	19H3552	CAP SCREW
13	MT2953	DEFLECTOR	37	22H775	SET SCREW
14		TINE - SEE TINE CHART	38	24H1136	WASHER
15	TCU51059	GUARD - 3X INSIDE (C,D,E)	39	24H1307	WASHER
	TCU51060	GUARD - 3X OUTSIDE (C,D,E)	40.	E54809	LOCK NUT
	TCU51890	GUARD - 3X INSIDE (D,E) (LONG)			
	TCU51061	GUARD - 4X INSIDE (C,D,E)			<b>(A) ..... USED WITH 19 mm (3/4 in.) TINES</b>
	TCU51062	GUARD 4X OUTSIDE (C,D,E)			<b>(B) ..... USED WITH 9.5 mm (3/8 in.), 12.7 mm (1/2 in.) OR</b>
	TCU51886	GUARD 4X INSIDE (D,E)			<b>15.9 mm (5/8 in.) TINES</b>
16	MT3048	BALL BEARING (2) - INPUT SHAFT			<b>(C) ..... 1000 Model</b>
16a	MT3054	BALL BEARING (2) - OUTPUT SHAFT			<b>(D) ..... 1500 Model</b>
17	WP39013	SHIM			<b>(E) ..... 2000 Model</b>

## Parts Needed in First 200 hours of Operation

Qty	Part No.	Item	Capacity	Interval In Hours
2	TY6296	JD GL-5 80W-90 Gear Lube - 1 qt	1.1 qt	50
3	TY6333	John Deere Moly High Temp EP Grease		8
Tines - See Tine Chart				

# TC125 Turf Collection System

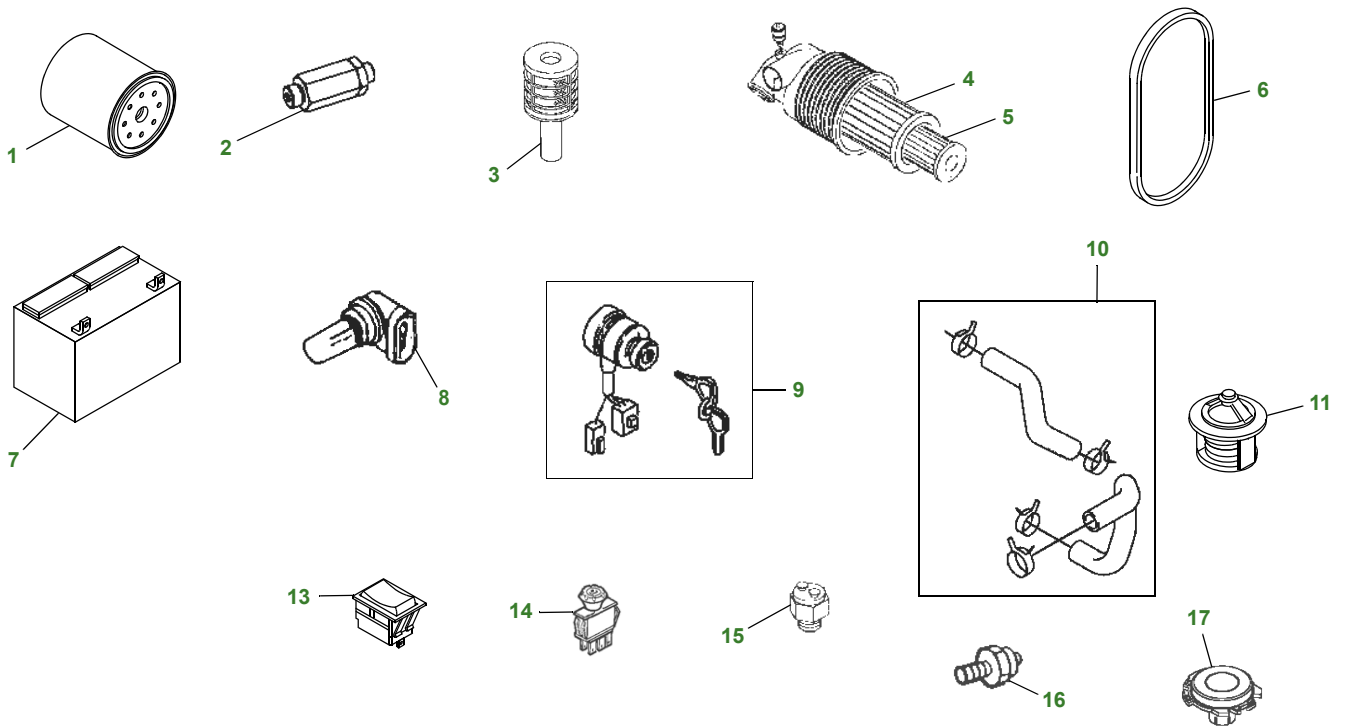


Key	Part No.	Description	Key	Part No.	Description
1	MT729	TIRE - 26.5 X 14.00 X 12 4PR	22	M136245	SCREW
2	AM30795	VALVE STEM	23	M136246	FLANGE
3	MT6778	WHEEL	24	M136247	BEARING RACE
4	MT6627	SEAL	25	M136248	NEEDLE BEARING
5	MT6625	BEARING	26	26H85	SHAFT KEY
6	MT6629	BEARING CUP	27	N130453	SCREW
7	MT6624	HUB	28	AMT2480	SEAL KIT
8	MT6630	BEARING CUP	29	TCU51460	HYDRAULIC HOSE - 8.38M (27 ft. 6 in.)
9	MT6626	BEARING		MT6442	HYDRAULIC HOSE - 10.67M (35 ft.)
10	14H962	NUT	30	T77857	O-RING
11	N130848	CAP	31	R26375	O-RING
12	MT6618	CYLINDER	32	AM105467	HYDRAULIC QUICK COUPLER PLUG
13	AMT2655	SEAL KIT	33	38H1161	ADAPTER
14	TCA21723	BRUSH KIT	34	W42991	CAP - GREEN
15	MT6438	ROLLER		W42992	CAP - YELLOW
16	N120535	PRESSED FLANGED HOUSING		W42993	CAP - RED
17	JD8545	BALL BEARING	35	TCU51461	HYDRAULIC HOSE - 5.94M (19 ft. 6 in.)
18	MT6430	BRACKET		TCU51460	HYDRAULIC HOSE - 8.38M (27 ft. 6 in.)
19	JD8544	ECCENTRIC LOCKING COLLAR	36	38H1174	ADAPTER
20	22H975	SET SCREW	37	R26906	O-RING
21	AMT2430	HYDRAULIC MOTOR			

## Parts Needed in First 250 hours of Operation

Qty	Part No.	Item	Capacity	Interval In Hours
1	TY6333	John Deere Moly High Temp Grease (14 oz)		As Needed

# 3203 Compact Utility Tractor

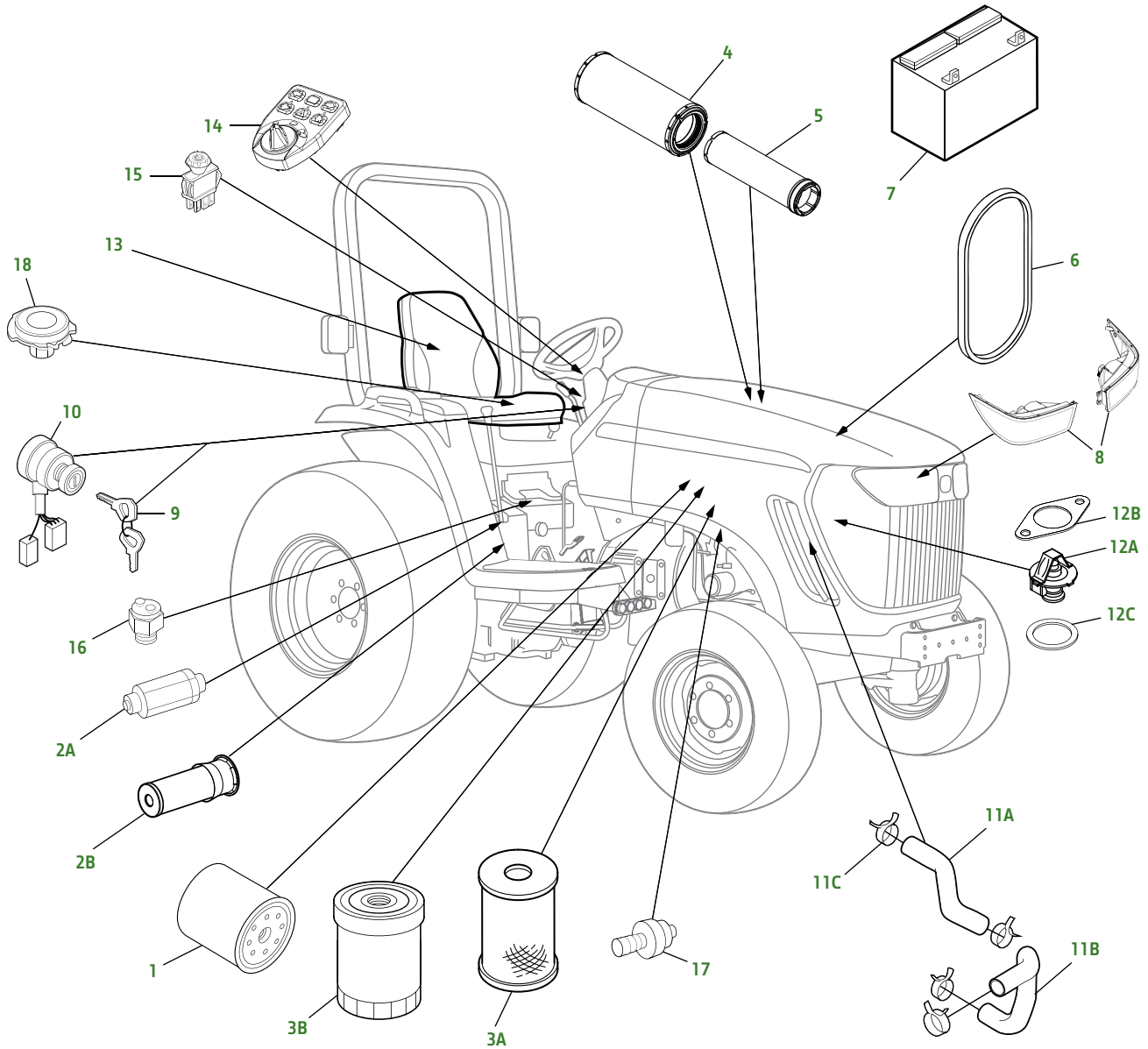


Key	Part No.	Description	Key	Part No.	Description
1	M806419.....	ENGINE OIL FILTER	11	M811034.....	THERMOSTAT
2	LVA12726.....	HYDRAULIC FILTER - IN LINE		M805835 .....	THERMOSTAT GASKET
	LVA13065.....	HYDRAULIC SUCTION FILTER		M805834 .....	THERMOSTAT GASKET
3	M811032 .....	FUEL FILTER ELEMENT	12	LVA14488.....	SEAT
4	RE68048.....	AIR FILTER ELEMENT - OUTER	13	LVA12928.....	TURN SIGNAL SW
5	RE68049.....	AIR FILTER ELEMENT - INNER	14	AM118802 .....	PTO SW
6	LVU11661 .....	FAN BELT	15	RE39116.....	NEUTRAL START SW
7	TY26498 .....	BATTERY	16	M809526 .....	OIL PRESSURE SW
8	LVU18296 .....	HEAD LIGHT BULB	17	AM131968.....	SEAT SW
9	RE183935.....	KEY			
	RE61717.....	SWITCH			
10	LVU19512 .....	RADIATOR HOSE (LOWER)			
	TY22467 .....	HOSE CLAMP			

## Parts Needed in First 250 hours of Operation

Qty	Part No.	Item	Capacity	Interval In Hours
1	M806419	Oil Filter		200
2	TY26673	1 Gal Plus 50 15W40 Engine Oil	4.5 qt	200
3	TY6341	JD Multi Purpose SD Polyurea Grease		As Needed

# 3033R Compact Utility Tractor



# 3033R Compact Utility Tractor

Key	Part No.	Description	Key	Part No.	Description
1	MIU800646	... ENGINE OIL FILTER	11A	LVU22923	... RADIATOR HOSE - UPPER
2A	LVA12726	... HYDRAULIC FILTER - IN-LINE	11B	LVU25024	... RADIATOR HOSE - LOWER
2B	LVA13065	... HYDRAULIC SUCTION FILTER	11C	LVU25924	... HOSE CLAMP
3A	MIU802421	... FUEL FILTER - PRIMARY	12A	M811034	... THERMOSTAT
3B	MIU803127	... FUEL FILTER - FINAL	12B	M805835	... THERMOSTAT GASKET
4	RE68048	... AIR FILTER ELEMENT - PRIMARY	12C	M805834	... THERMOSTAT GASKET
5	RE68049	... AIR FILTER ELEMENT - SECONDARY	13	LVA12909	... SEAT (OOS)
6	LVU26396	... FAN BELT		LVA19859	... SEAT (CAB)
7	TY26498	... BATTERY	14	LVA18142	... SWITCH MODULE
8	LVA17902	... HEAD LIGHT - LH	15	AM127393	... PTO SW
	LVA17901	... HEADLIGHT - RH	16	RE12411	... NEUTRAL START SW
9	RE183935	... KEY	17	MIU802079	... OIL PRESSURE SW
10	RE61717	... SWITCH	18	AM124426	... SEAT SW (OOS)
				AET10449	... SEAT SW (CAB)

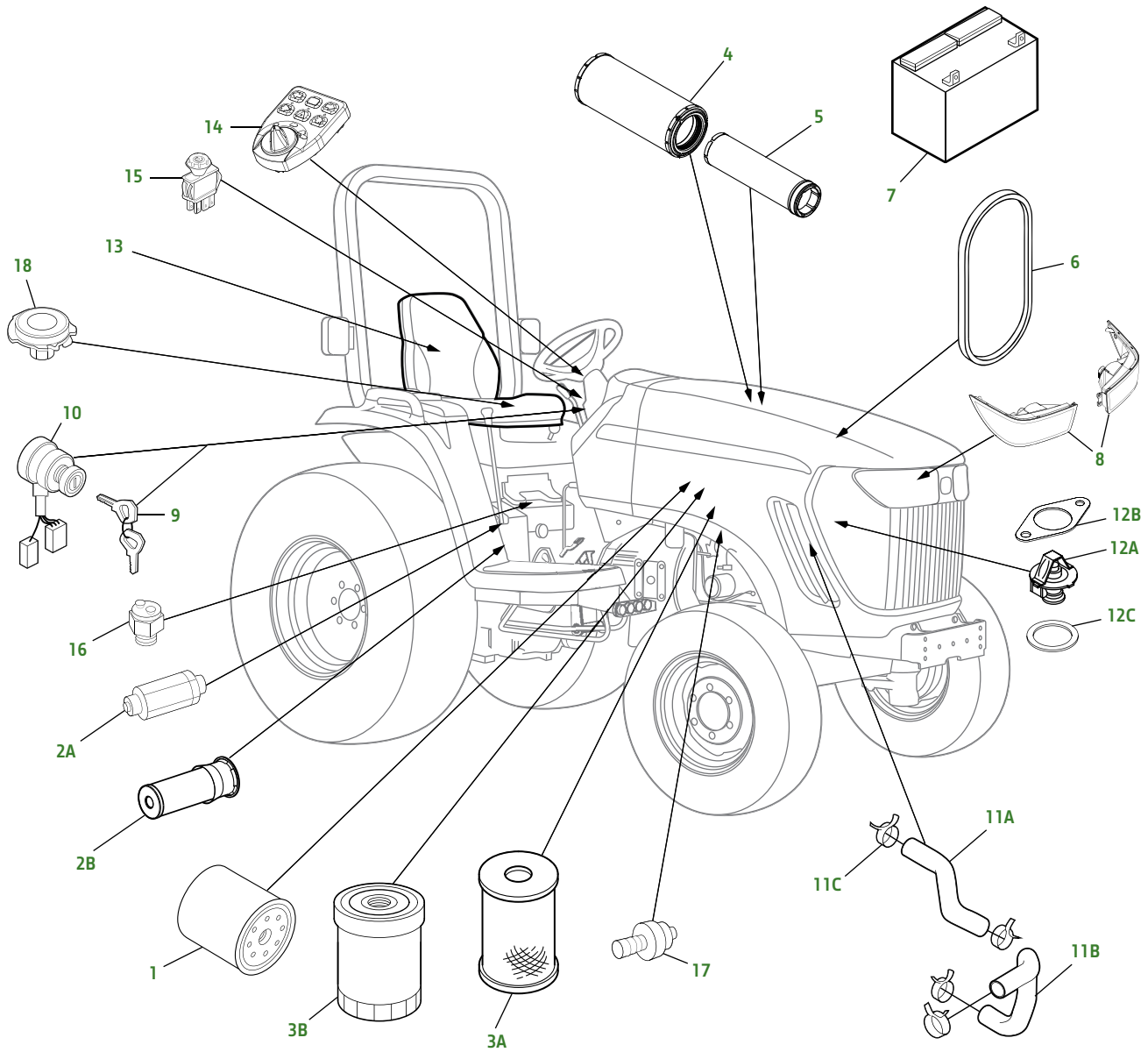
## Parts Needed in First 250 Hours of Operation

Qty	Part No.	Item	Capacity	Interval In Hours
1	MIU800646	Engine Oil Filter		200
2	TY26668	Plus-50™ II 10W-30 Engine Oil - 1 gal	1.1 gal	200
5	MIU10010	Air Filter - Fresh Air (Cab)		50/100/150/200/250
5	MIU10011	Air Filter - Recirculation (Cab)		50/100/150/200/250
1	TY6341	Multi-Purpose SD Polyurea Grease (14 oz)		As Needed

## Frequently Used Items

Qty	Part No.	Item
1	LVA12726	Hydraulic Filter
1	LVA13065	Hydraulic Suction Filter
1	MIU802421	Fuel Filter - Primary
1	MIU803127	Fuel Filter - Final
1	RE68048	Air Filter - PRIMARY
1	RE68049	Air Filter - SECONDARY
1	LVU26396	Fan Belt
1	RE183935	Key
1	AL213202	Fuel Filler Cap (Cab)
1	TCU32729	Fuel Filler Cap (OOS)
1	TY26518	Grease Gun

# 3039R Compact Utility Tractor



# 3039R Compact Utility Tractor

Key	Part No.	Description	Key	Part No.	Description
1	MIU800646	ENGINE OIL FILTER	11A	LVU22923	RADIATOR HOSE - UPPER
2	LVA12726	HYDRAULIC FILTER - IN-LINE	11B	LVU25024	RADIATOR HOSE - LOWER
	LVA13065	HYDRAULIC SUCTION FILTER	11C	LVU25924	HOSE CLAMP
3	MIU802421	FUEL FILTER - PRIMARY	11D	LVU25923	HOSE CLAMP
	MIU803127	FUEL FILTER - FINAL	12A	M811034	THERMOSTAT
4	RE68048	AIR FILTER ELEMENT - PRIMARY	12B	M805835	THERMOSTAT GASKET
5	RE68049	AIR FILTER ELEMENT - SECONDARY	12C	M805834	THERMOSTAT GASKET
6	LVU26396	FAN BELT	13	LVA12909	SEAT (OOS)
7	TY26498	BATTERY		LVA19859	SEAT (CAB)
8	LVA17902	HEAD LIGHT - LH	14	LVA18142	SWITCH MODULE
	LVA17901	HEADLIGHT - RH	15	AM127393	PTO SW
9	RE183935	KEY	16	RE12411	NEUTRAL START SW
10	RE61717	SWITCH	17	MIU802079	OIL PRESSURE SW
			18	AM124426	SEAT SW (OOS)
				AET10449	SEAT SW (CAB)

## Parts Needed in First 250 Hours of Operation

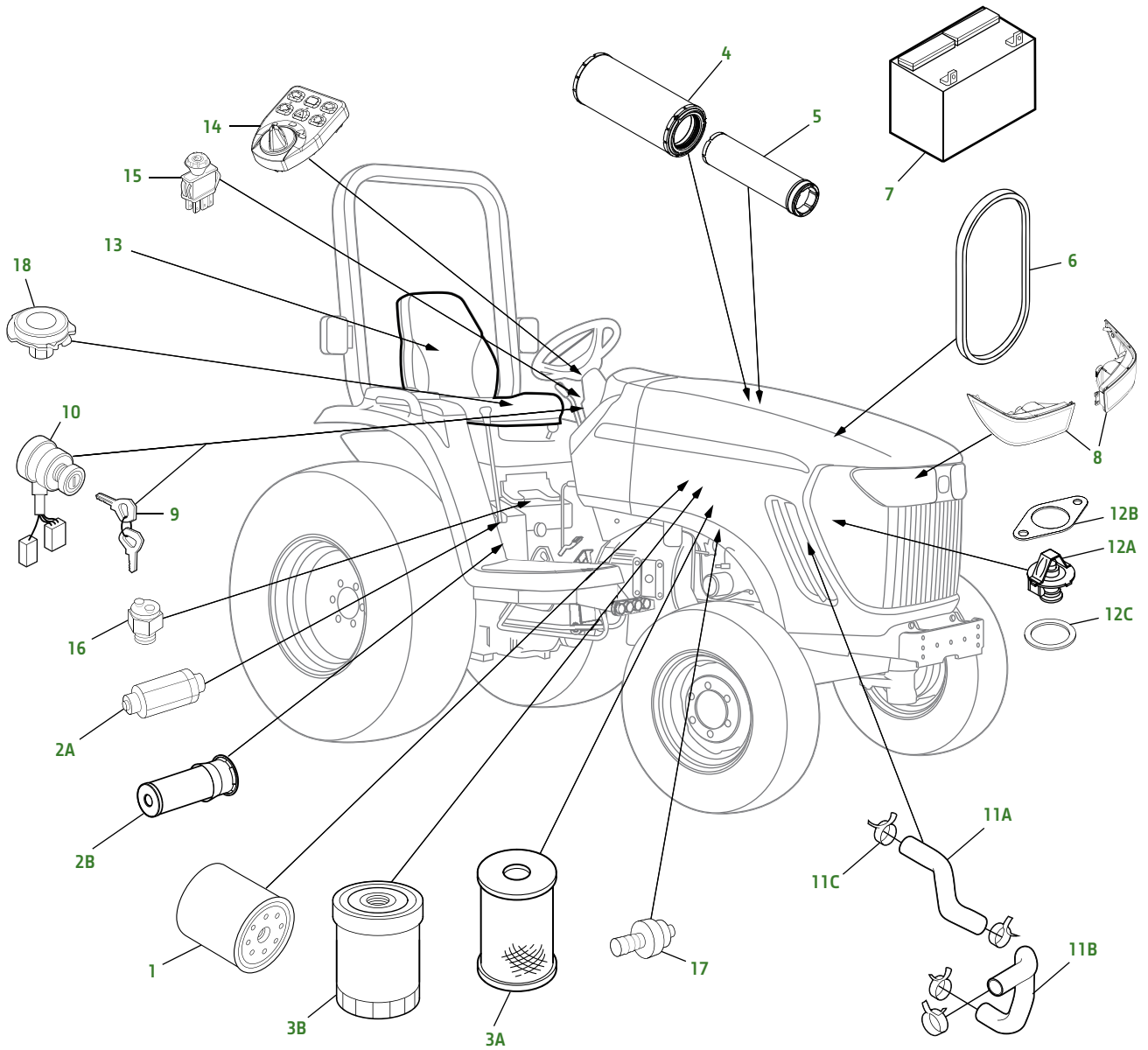
Qty	Part No.	Item	Capacity	Interval In Hours
1	MIU800646	Engine Oil Filter		200
2	TY26668	Plus-50™ II 10W-30 Engine Oil - 1 gal	1.1 gal	200
5	MIU10010	Air Filter - Fresh Air (Cab)		50/100/150/200/250
5	MIU10011	Air Filter - Recirculation (Cab)		50/100/150/200/250
1	TY6341	Multi-Purpose SD Polyurea Grease (14 oz)		As Needed

## Frequently Used Items

Qty	Part No.	Item
1	LVA12726	Hydraulic Filter
1	LVA13065	Hydraulic Suction Filter
1	MIU802421	Fuel Filter - Primary
1	MIU803127	Fuel Filter - Final
1	RE68048	Air Filter - Primary
1	RE68049	Air Filter - Secondary
1	LVU26396	Fan Belt
1	RE183935	Key
1	AL213202	Fuel Filler Cap (Cab)
1	TCU32729	Fuel Filler Cap (OOS)
1	TY26518	Grease Gun

# 3046R Compact Utility Tractor

Compact Utility Tractors



# 3046R Compact Utility Tractor

Key	Part No.	Description	Key	Part No.	Description
1	MIU800646	... ENGINE OIL FILTER	11A	LVU22923	... RADIATOR HOSE - UPPER
2A	LVA12726	... HYDRAULIC FILTER - IN-LINE	11B	LVU25024	... RADIATOR HOSE - LOWER
2B	LVA13065	... HYDRAULIC SUCTION FILTER	11C	LVU25924	... HOSE CLAMP
3A	MIU802421	... FUEL FILTER - PRIMARY	11D	LVU25923	... HOSE CLAMP
3B	MIU803127	... FUEL FILTER - FINAL	12A	M811034	... THERMOSTAT
4	RE68048	... AIR FILTER ELEMENT - PRIMARY	12B	M805835	... THERMOSTAT GASKET
5	RE68049	... AIR FILTER ELEMENT - SECONDARY	12C	M805834	... THERMOSTAT GASKET
6	LVU26396	... FAN BELT	13	LVA12909	... SEAT (OOS)
7	TY26498	... BATTERY		LVA19859	... SEAT (CAB)
8	LVA17902	... HEAD LIGHT - LH	14	LVA18142	... SWITCH MODULE
	LVA17901	... HEADLIGHT - RH	15	AM127393	... PTO SW
9	RE183935	... KEY	16	RE12411	... NEUTRAL START SW
10	RE61717	... SWITCH	17	MIU802079	... OIL PRESSURE SW
			18	AM124426	... SEAT SW (OOS)
				AET10449	... SEAT SW (CAB)

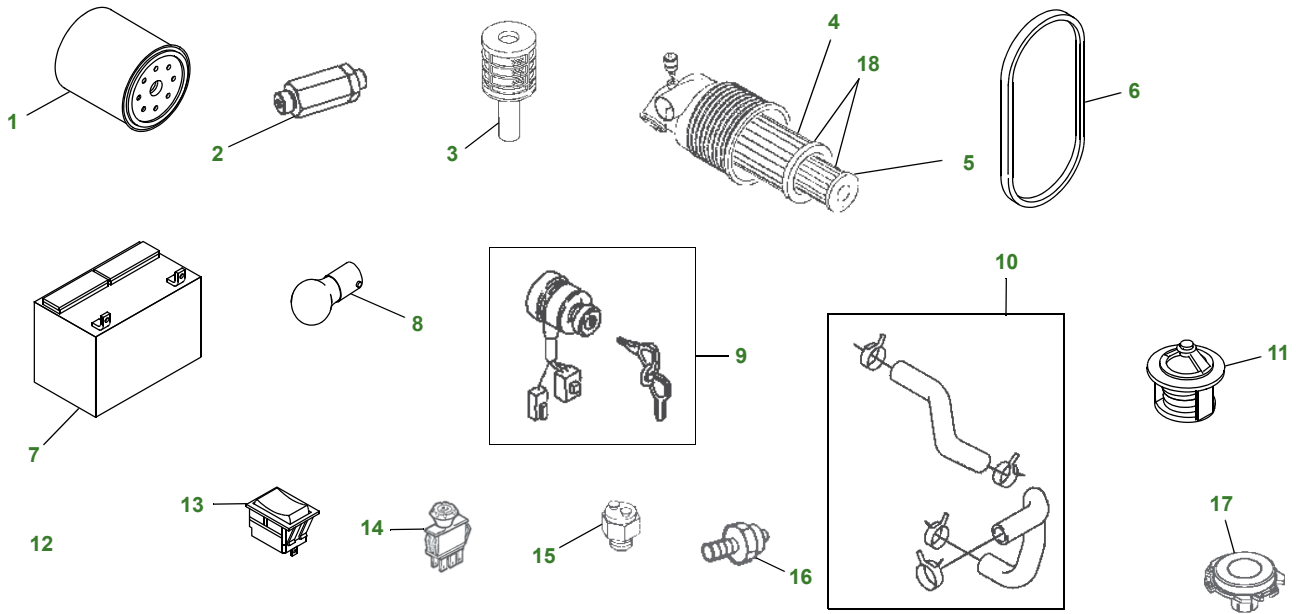
## Parts Needed in First 250 Hours of Operation

Qty	Part No.	Item	Capacity	Interval In Hours
1	MIU800646	Engine Oil Filter		200
2	TY26668	Plus-50™ II 10W-30 Engine Oil - 1 gal	5 gal	200
5	MIU10010	Air Filter - Fresh Air (Cab)		50/100/150/200/250
5	MIU10011	Air Filter - Recirculation (Cab)		50/100/150/200/250
1	TY6341	Multi-Purpose SD Polyurea Grease (14 oz)		As Needed

## Frequently Used Items

Qty	Part No.	Item
1	LVA12726	Hydraulic Filter - In - Line
1	LVA13065	Hydraulic Suction Filter
1	MIU802421	Fuel Filter - Primary
1	MIU803127	Fuel Filter - Final
1	RE68048	Air Filter - Primary
1	RE68049	Air Filter - Secondary
1	LVU26396	Fan Belt
1	RE183935	Key
1	AL213202	Fuel Filler Cap (Cab)
1	TCU32729	Fuel Filler Cap (OOS)
1	TY26518	Grease Gun

# 3120 / 3320 / 3520 / 3720 Compact Utility Tractors

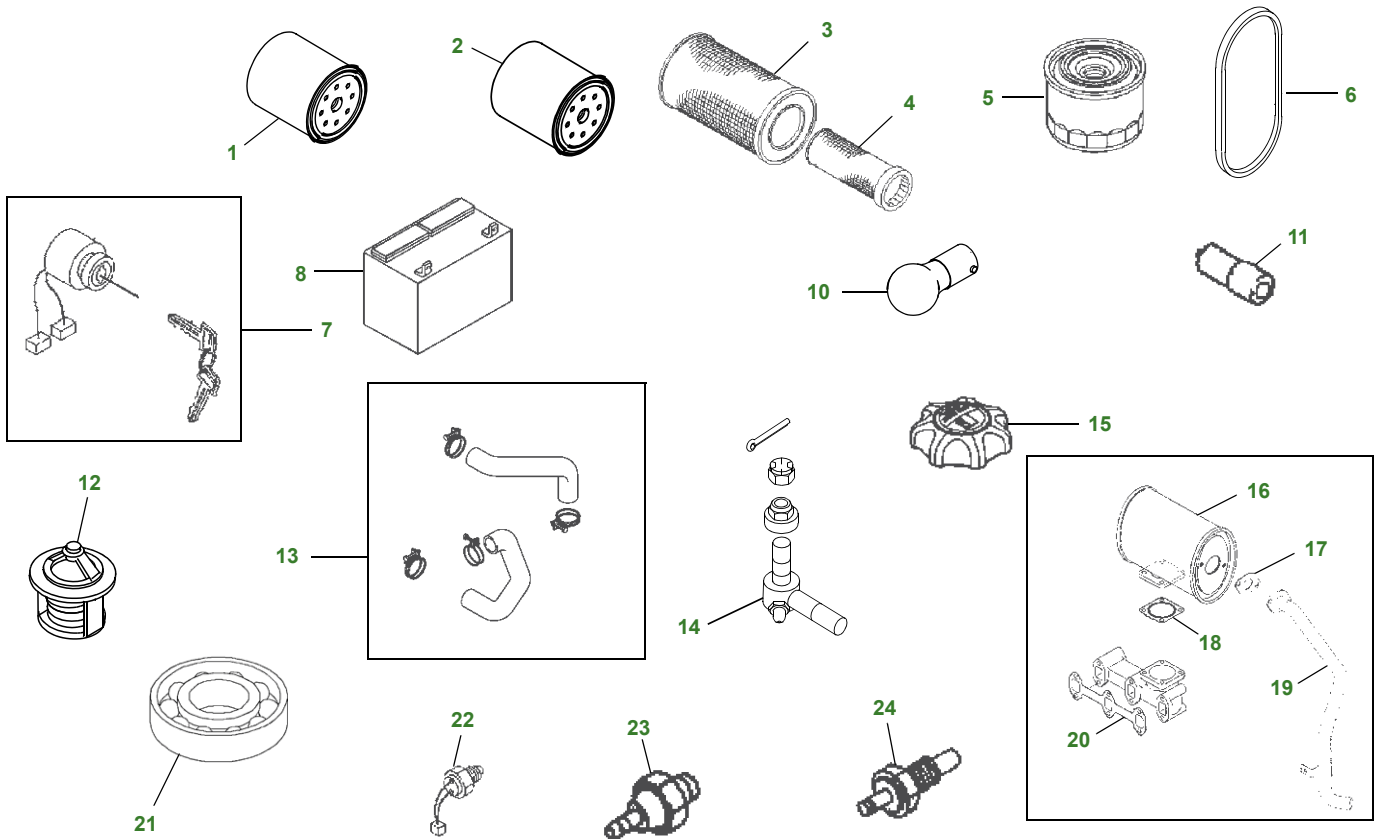


Key	Part No.	Description	Key	Part No.	Description
1	M806419	ENGINE OIL FILTER	11	M811034	THERMOSTAT
2	LVA14167	HYD FILTER - IN LINE		M805835	THERMOSTAT GASKET
	LVA13065	HYDRAULIC SUCTION FILTER		M805834	THERMOSTAT GASKET
3	M811032	FUEL FILTER ELEMENT	12	LVA12909	SEAT
4	RE68048	AIR FILTER ELEMENT - OUTER	13	LVA12928	TURN SIGNAL SW
5	RE68049	AIR FILTER ELEMENT - INNER	14	AM118802	PTO SW
6	LVU11661	FAN BELT	15	RE39116	MID PTO SENSING SW
7	TY26498	BATTERY	16	M809526	OIL PRESSURE SW
8	57M7166	HEAD LIGHT BULB	17	AM124426	SEAT SW
9	RE183935	KEY	18	LVA14895	FILTER PAK
	RE61717	SWITCH			
10	LVU19512	RADIATOR HOSE (LOWER)			
	TY22467	HOSE CLAMP			

## Parts Needed in First 250 hours of Operation

Qty	Part No.	Item	Capacity	Interval In Hours
2	M806419	Oil Filter		50/200
2	TY26675	2 1/2 Gal Plus 50 15W40 Engine Oil	5.1 qt	50/200
3	TY6341	JD Multi Purpose SD Polyurea Grease		As Needed

# 3005 Compact Utility Tractor



Compact Utility Tractors

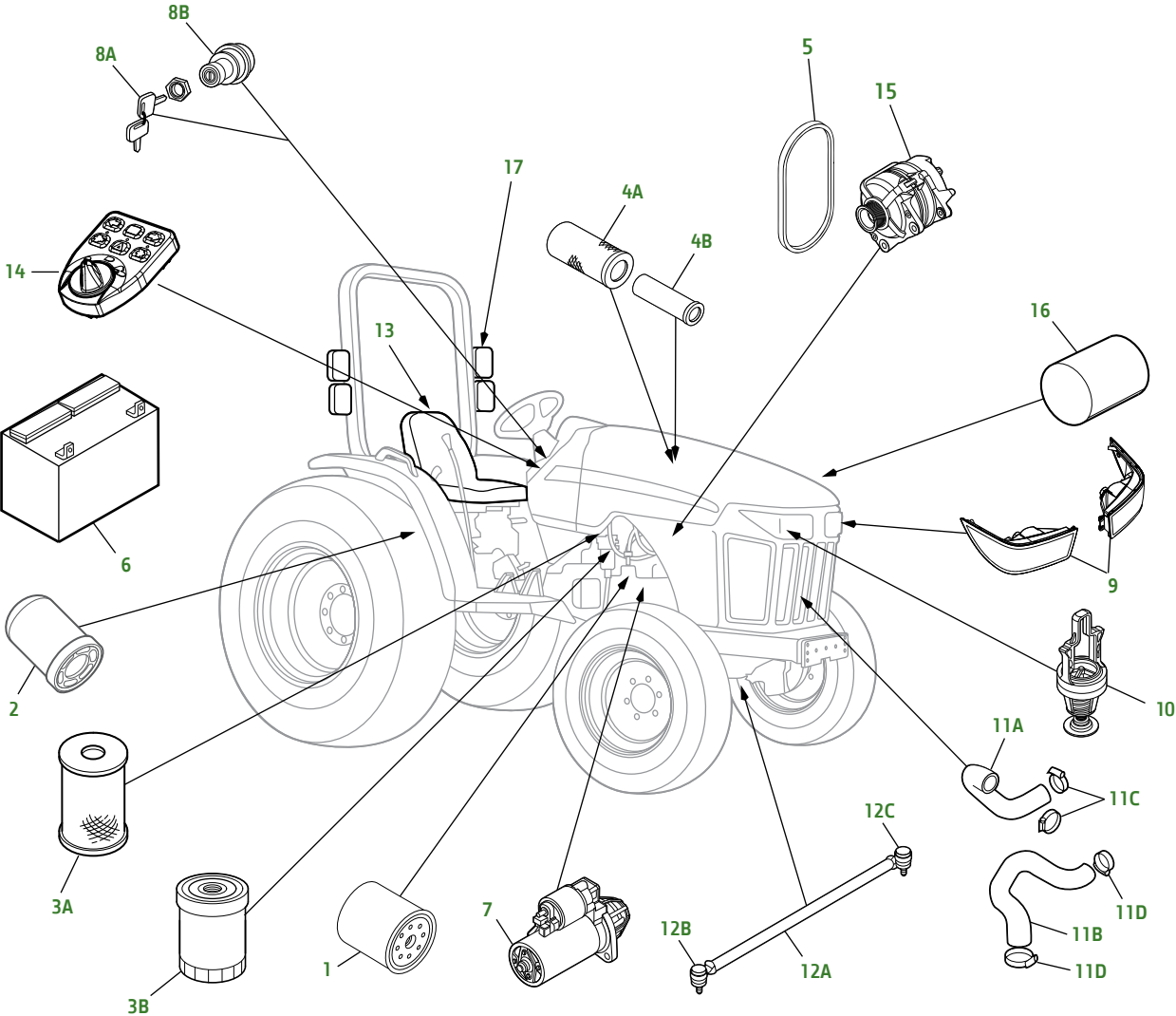
Key	Part No.	Description	Key	Part No.	Description
1	M806419	ENGINE OIL FILTER		M810653	LOWER RADIATOR HOSE
2	RE27284	TRANSMISSION FILTER		TY22467	RADIATOR HOSE CLAMPS
3	M131802	AIR FILTER - PRIMARY		m807428	RADIATOR CAP
4	M131803	AIR FILTER - SECONDARY	14	AM878082	TIE ROD END (LH)
5	MIU800645	FUEL FILTER		AM878081	TIE ROD END (RH)
6	M801821	BELT - WATER PUMP	15	LVU15970	FUEL FILLER CAP
7	CH12206	KEY	16	M811382	MUFFLER
	AM876787	IGNITION SWITCH	17	LVU801094	MUFFLER GASKET
8	TY26498	BATTERY	18	M811089	MUFFLER GASKET
9	M805158	SEAT	19	LVA802837	EXTENSION
	LVA802931	SEAT SWITCH	20	M801042	GASKET
10	LVU802883	BULB (TAILLIGHT)	21	CH14592	FRONT WHEEL BEARING (INNER)
	LVU800770	BULB (WARNING FLASHER)		JD7692	FRONT WHEEL BEARING (OUTER)
11	LVU802876	BULB (HEADLIGHT)		LVU802855	BEARING SEAL
12	M811034	THERMOSTAT	22	T110736	SENSOR - COOLANT TEMP
	M805834	THERMOSTAT GASKET (UPPER)	23	M809526	SWITCH - OIL PRESSURE
	M805835	THERMOSTAT GASKET (LOWER)	24	CH13415	SWITCH - NEUTRAL START
13	M802633	UPPER RADIATOR HOSE			

## Parts Needed in First 250 hours of Operation

Qty	Part No.	Item	Capacity	Interval In Hours
2	M806419	Oil Filter		50/200
1	TY26675	2 1/2 Gal Plus 50 15W40 Engine Oil	3.0 qt	50/200
1	RE27284	Transmission Filter		50
1	TY6342	5 Gal Low Viscosity Hy-Gard Hydraulic Oil	4.0 gal	50
3	TY6341	Special Purpose SD Polyurea Grease		As Needed

# 4044M Compact Utility Tractor

Compact Utility Tractors



# 4044M Compact Utility Tractor

Key	Part No.	Description	Key	Part No.	Description
1	M806419	ENGINE OIL FILTER	11A	LVU22923	RADIATOR HOSE - UPPER
2	LVA10419	HYDRAULIC FILTER	11B	LVU25024	RADIATOR HOSE - LOWER
3A	MIU802421	FUEL FILTER - FINAL	11C	LVU25923	HOSE CLAMP - UPPER
3B	MIU803127	FUEL FILTER - PRIMARY	11D	LVU25924	HOSE CLAMP - LOWER
4A	RE68048	AIR FILTER - PRIMARY	12A	LVA14951	TIE ROD TUBE ASSEMBLY
4B	RE68049	AIR FILTER - SECONDARY	12B	LVA14959	BALL JOINT SOCKET - RH
5	LVU26396	BELT - FAN	12C	LVA14960	BALL JOINT SOCKET - LH
6	LVA15188	BATTERY - WET CHARGED	13	LVA19040	SEAT
7	AM879743	STARTER	14	LVA18142	SWITCH MODULE
8A	RE183935	KEY - IGNITION	15	LVA18613	ALTERNATOR
8B	RE61717	SWITCH - IGNITION	16	MIU803276	DIESEL PARTICULATE FILTER
9	LVA17902	HEADLIGHT - LH	17	LVA18272	LAMP - TURN/WARNING - LH
	LVA17901	HEADLIGHT - RH		LVA18273	LAMP - TURN/WARNING - LH
10	M811034	THERMOSTAT			

## Parts Needed in First 200 Hours of Operation

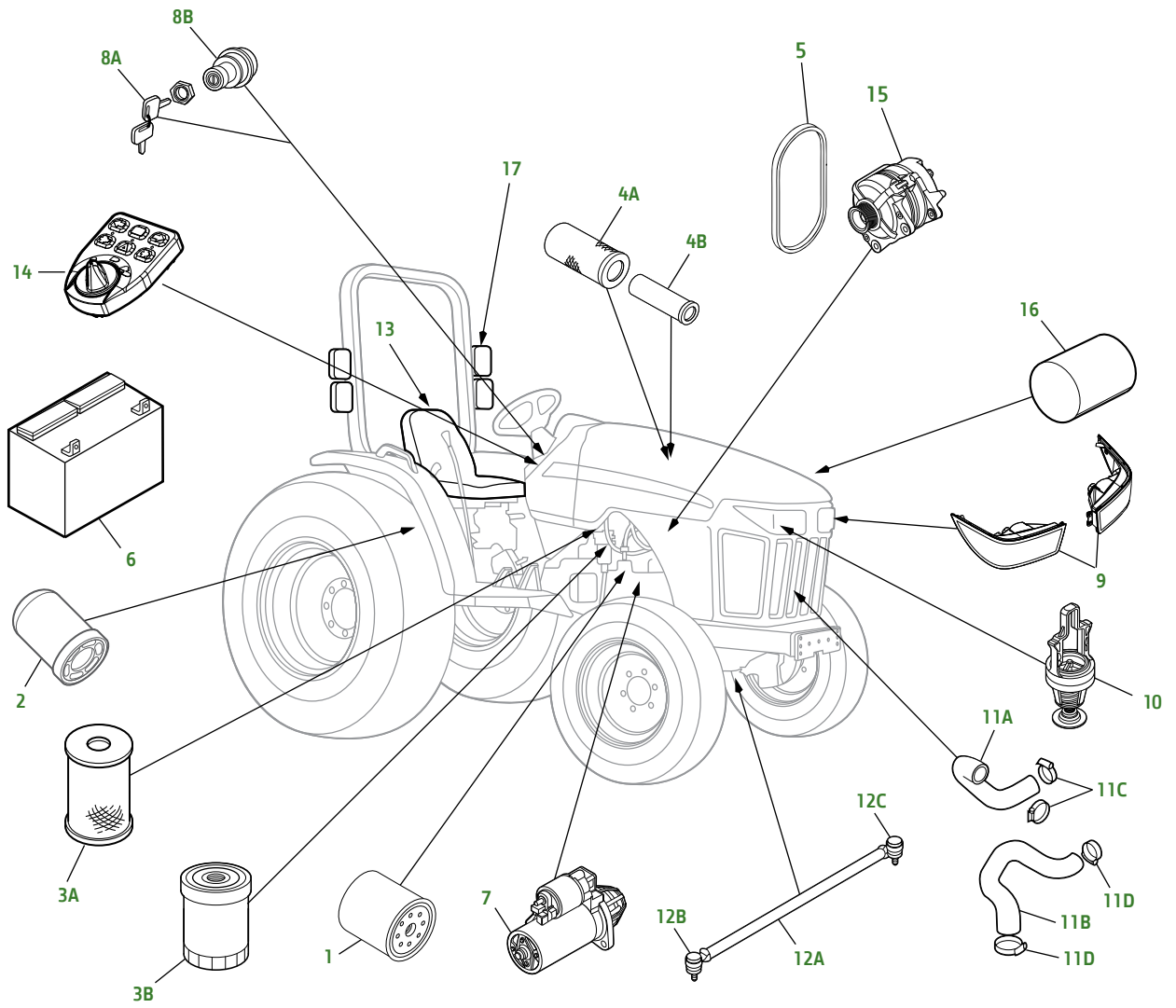
Qty	Part No.	Item	Capacity	Interval In Hours
2	M806419	Engine Oil Filter		200
2	TY26675	Plus-50™ II 15W-40 Engine Oil	1.2 gal	200
1	TY6341	Multi-Purpose SD Polyurea Grease (14 oz)		As Needed

## Frequently Used Items

Qty	Part No.	Item
1	LVA10419	Hydraulic Filter
1	MIU803127	Fuel Filter - Final
1	MIU802421	Fuel Filter - Primary
1	RE68049	Air Filter - Secondary
1	RE68048	Air Filter - Primary
1	LVU26396	Belt - Fan
1	RE183935	Key
1	LVA19485	Fuel Filler Cap
1	TY26518	Grease Gun

# 4052M Compact Utility Tractor

Compact Utility Tractors



# 4052M Compact Utility Tractor

Key	Part No.	Description	Key	Part No.	Description
1	M806419	ENGINE OIL FILTER	11A	LVU22923	RADIATOR HOSE - UPPER
2	LVA10419	HYDRAULIC FILTER	11B	LVU25024	RADIATOR HOSE - LOWER
3A	MIU802421	FUEL FILTER - FINAL	11C	LVU25923	HOSE CLAMP - UPPER
3B	MIU803127	FUEL FILTER - PRIMARY	11D	LVU25924	HOSE CLAMP - LOWER
4A	RE68048	AIR FILTER - PRIMARY	12A	LVA14951	TIE ROD TUBE ASSEMBLY
4B	RE68049	AIR FILTER - SECONDARY	12B	LVA14959	BALL JOINT SOCKET - RH
5	LVU26396	BELT - FAN	12C	LVA14960	BALL JOINT SOCKET - LH
6	LVA15188	BATTERY - WET CHARGED	13	LVA19040	SEAT
7	AM879743	STARTER	14	LVA18142	SWITCH MODULE
8A	RE183935	KEY - IGNITION	15	LVA18613	ALTERNATOR
8B	RE61717	SWITCH - IGNITION	16	MIU803276	DIESEL PARTICULATE FILTER
9	LVA17902	HEADLIGHT - LH	17	LVA18272	LAMP - TURN/WARNING - LH
	LVA17901	HEADLIGHT - RH		LVA18273	LAMP - TURN/WARNING - LH
10	M811034	THERMOSTAT			

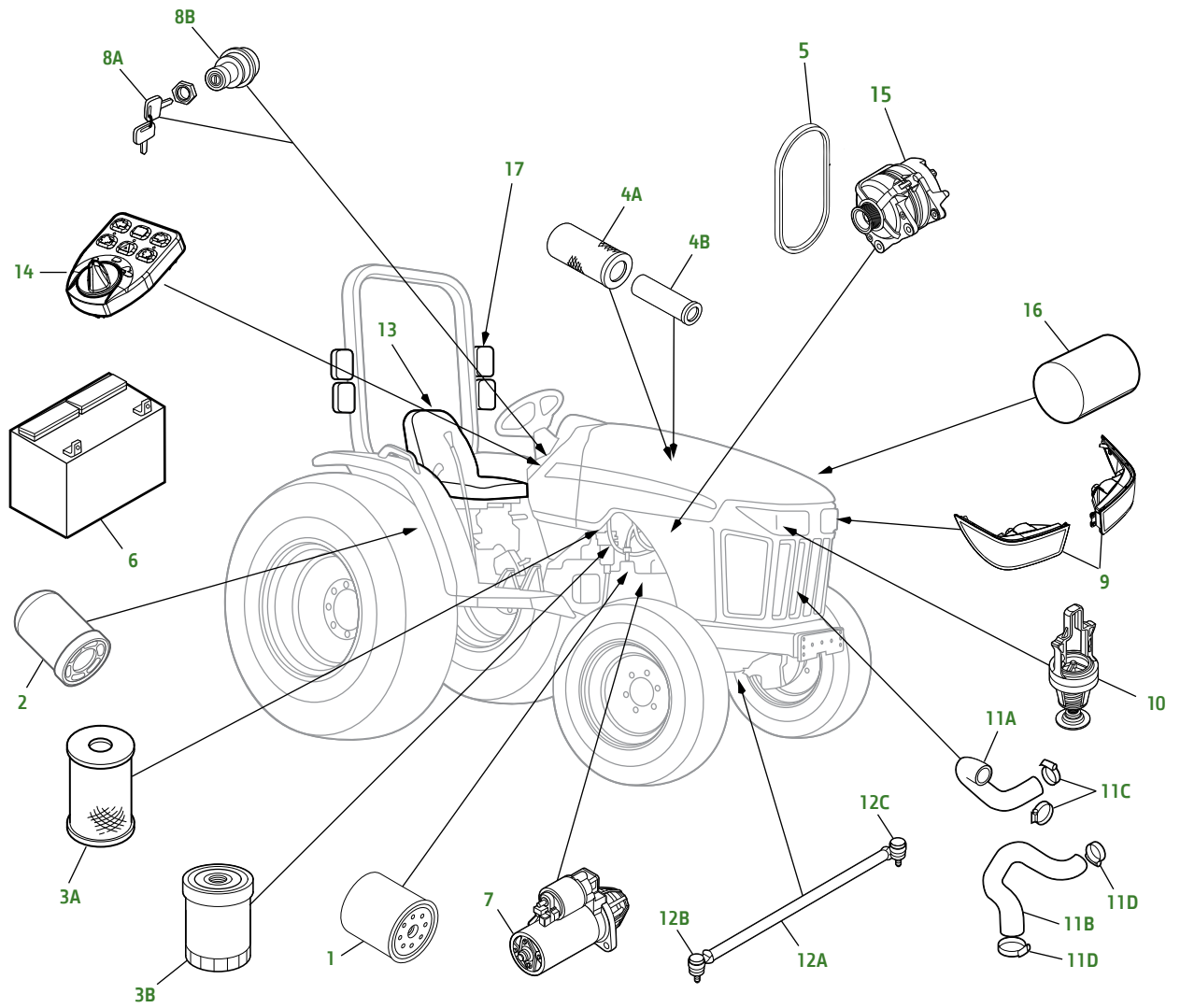
## Parts Needed in First 200 Hours of Operation

Qty	Part No.	Item	Capacity	Interval In Hours
2	M806419	Engine Oil Filter		200
2	TY26675	Plus-50™ II 15W-40 Engine Oil	1.2 gal	200
1	TY6341	Multi-Purpose SD Polyurea Grease (14 oz)		As Needed

## Frequently Used Items

Qty	Part No.	Item
1	LVA10419	Hydraulic Filter
1	MIU803127	Fuel Filter - Final
1	MIU802421	Fuel Filter - Primary
1	RE68049	Air Filter - Secondary
1	RE68048	Air Filter - Primary
1	LVU26396	Belt - Fan
1	RE183935	Key
1	LVA19485	Fuel Filler Cap
1	TY26518	Grease Gun

# 4066M Compact Utility Tractor



# 4066M Compact Utility Tractor

Key	Part No.	Description	Key	Part No. . . . .	Description
1	MIU800646 . . .	ENGINE OIL FILTER	11A	LVU22923 . . . .	RADIATOR HOSE - UPPER
2	LVA10419 . . . .	HYDRAULIC FILTER ELEMENT - SUCTION	11B	LVU25024 . . . .	RADIATOR HOSE - LOWER
3A	MIU802421 . . .	FUEL FILTER - FINAL	11C	LVU25923 . . . .	HOSE CLAMP - UPPER
3B	MIU803127 . . .	FUEL FILTER - PRIMARY	11D	LVU25924 . . . .	HOSE CLAMP - LOWER
4A	RE68048 . . . .	AIR FILTER - PRIMARY	12A	LVA14951 . . . .	TIE ROD TUBE ASSEMBLY
4B	RE68049 . . . .	AIR FILTER - SECONDARY	12B	LVA14959 . . . .	BALL JOINT SOCKET - RH
5	LVU26396 . . . .	BELT - FAN	12C	LVA14960 . . . .	BALL JOINT SOCKET - LH
6	LVA15188 . . . .	BATTERY - WET CHARGED	13	LVA19040 . . . .	SEAT
7	AM879743 . . . .	STARTER	14	LVA18142 . . . .	SWITCH MODULE
8A	RE183935 . . . .	KEY - IGNITION	15	LVA18613 . . . .	ALTERNATOR
8B	RE61717 . . . .	SWITCH - IGNITION	16	MIU802216 . . .	DIESEL PARTICULATE FILTER
9	LVA17901 . . . .	HEADLIGHT - RH	17	LVA18272 . . . .	LAMP - TURN/WARNING - LH
	LVA17902 . . . .	HEADLIGHT - LH		LVA18273 . . . .	LAMP - TURN/WARNING - RH
10	M811034 . . . .	THERMOSTAT			

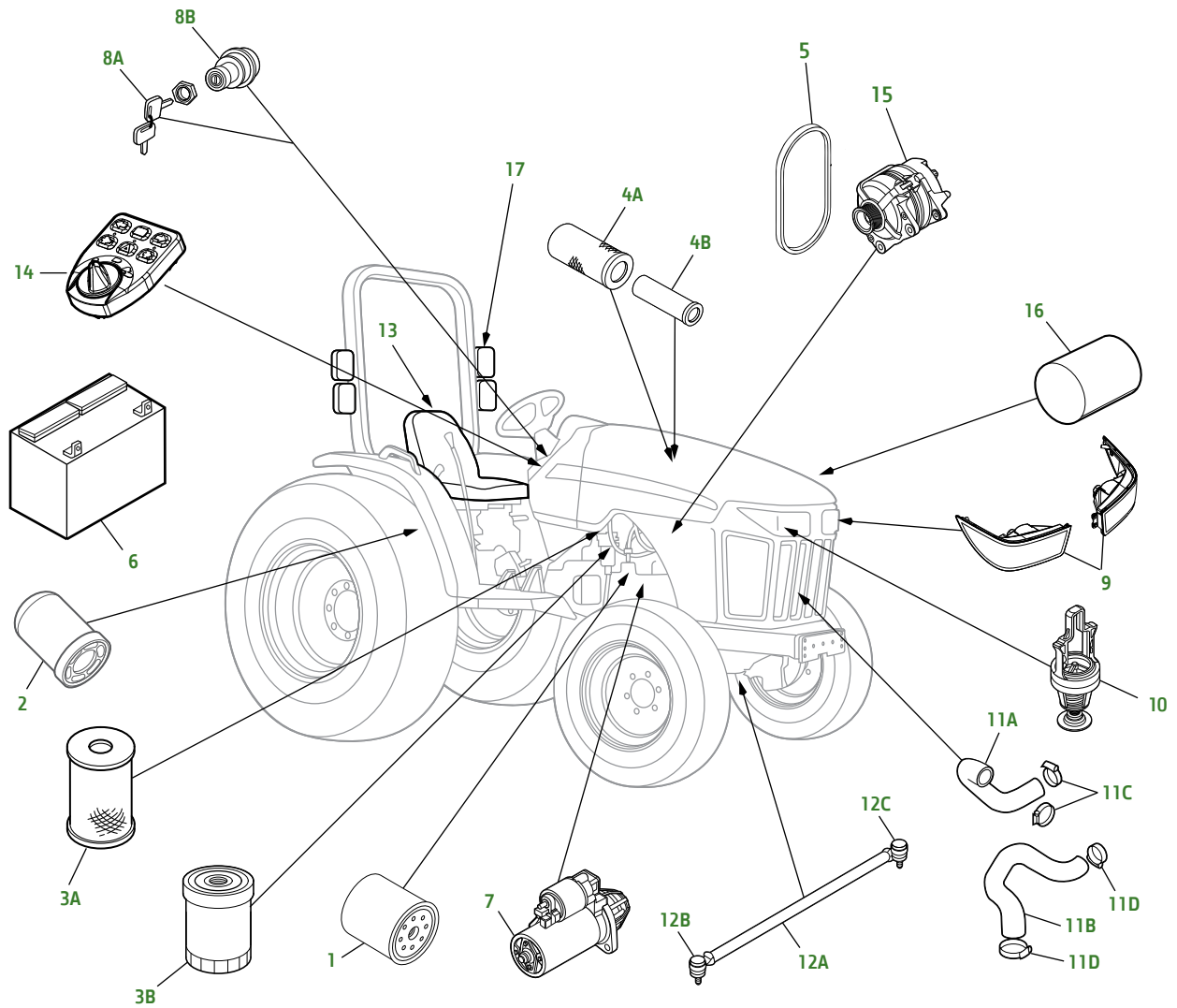
## Parts Needed in First 200 Hours of Operation

Qty	Part No.	Item	Capacity	Interval In Hours
2	MIU800646	Engine Oil Filter		200
2	TY26675	Plus-50™ II 15W-40 Engine Oil	1.2 gal	200
1	TY6341	Multi-Purpose SD Polyurea Grease (14 oz)		As Needed

## Frequently Used Items

Qty	Part No.	Item
1	LVA10419	Hydraulic Filter
1	MIU803127	Fuel Filter - Final
1	MIU802421	Fuel Filter - Primary
1	RE68048	Air Filter - Primary
1	RE68049	Air Filter - Secondary
1	LVU26396	Belt - Fan
1	RE183935	Key
1	LVA19485	Fuel Filler Cap
1	TY26689	Grease Gun

# 4044R Compact Utility Tractor



# 4044R Compact Utility Tractor

Key	Part No.	Description	Key	Part No.	Description
1	M806419	ENGINE OIL FILTER	11A	LVU22923	RADIATOR HOSE - UPPER
2	LVA10419	HYDRAULIC FILTER	11B	LVU25024	RADIATOR HOSE - LOWER
3A	MIU802421	FUEL FILTER - FINAL	11C	LVU25923	HOSE CLAMP - UPPER
3B	MIU803127	FUEL FILTER - PRIMARY	11D	LVU25924	HOSE CLAMP - LOWER
4A	RE68048	AIR FILTER - PRIMARY	12A	LVA14951	TIE ROD ASSEMBLY
4B	RE68049	AIR FILTER - SECONDARY	12B	LVA14959	BALL JOINT SOCKET - RH
5	LVU26396	BELT - FAN	12C	LVA14960	BALL JOINT SOCKET - LH
6	LVA15188	BATTERY - WET CHARGED	13	LVA19041	SEAT
7	AM879743	STARTER	14	LVA18142	SWITCH MODULE
8A	RE183935	KEY - IGNITION	15	LVA18613	ALTERNATOR
8B	RE61717	SWITCH - IGNITION	16	MIU803276	DIESEL PARTICULATE FILTER
9	LVA17902	HEADLIGHT - LH	17	LVA18720	LAMP - TURN/WARNING - LH
	LVA17901	HEADLIGHT - RH		LVA18721	LAMP - TURN/WARNING - RH
10	M811034	THERMOSTAT			

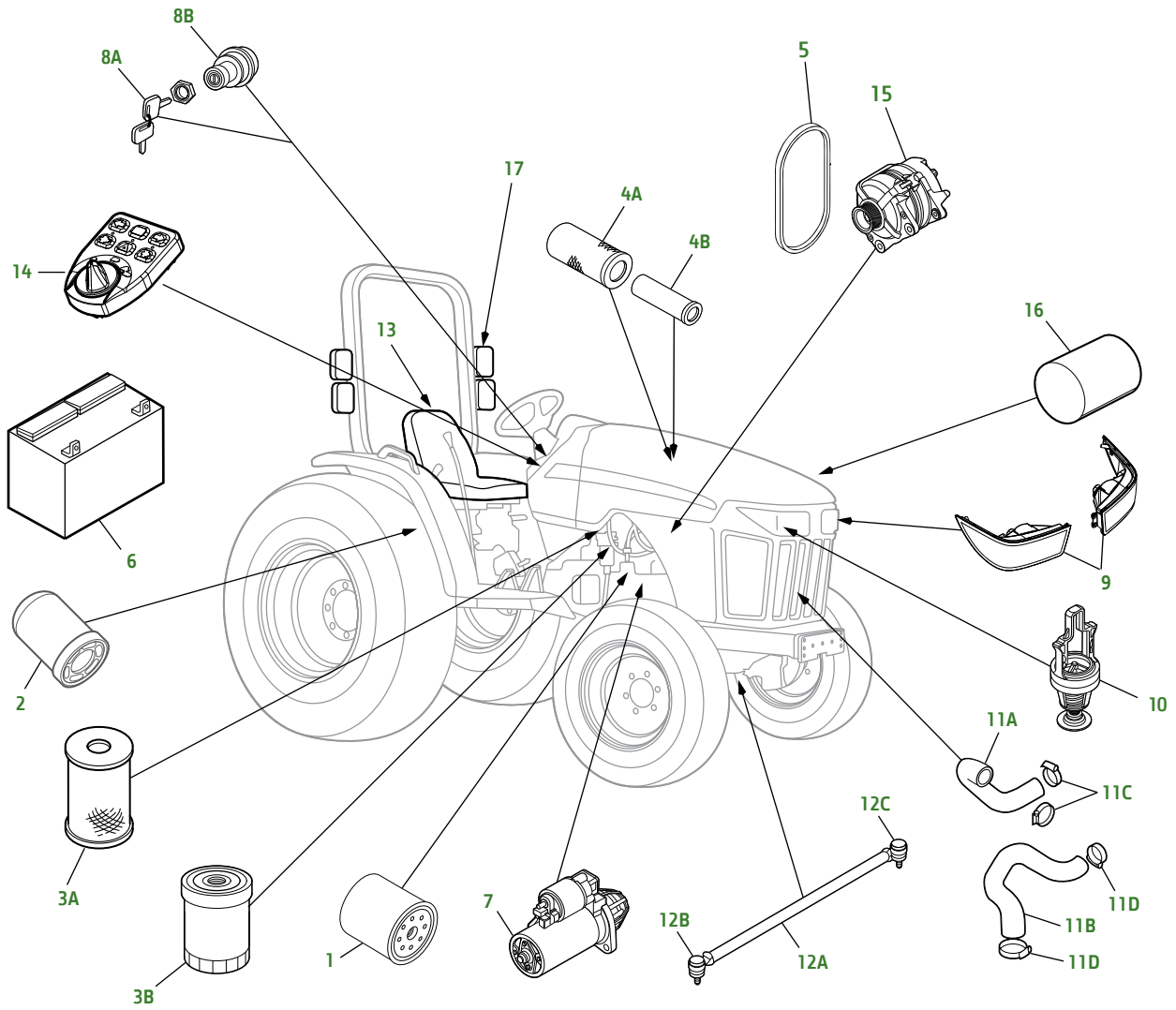
## Parts Needed in First 200 Hours of Operation

Qty	Part No.	Item	Capacity	Interval In Hours
1	M806419	Engine Oil Filter		200
1	TY26675	Plus-50™ II 15W-40 Engine Oil	1.2 gal	200
1	TY6341	Multi-Purpose SD Polyurea Grease (14 oz)		As Needed

## Frequently Used Items

Qty	Part No.	Item
1	LVA10419	Hydraulic Filter
1	MIU803127	Fuel Filter - Primary
1	MIU802421	Fuel Filter - Final
1	RE68049	Air Filter - Secondary
1	RE68048	Air Filter - Primary
1	LVU26396	Belt - Fan
1	RE183935	Key
1	LVA19485	Fuel Filler Cap (OOS)
1	AL213202	Fuel Filler Cap (CAB)
1	TY26518	Grease Gun

# 4052R Compact Utility Tractor



# 4052R Compact Utility Tractor

Key	Part No.	Description	Key	Part No.	Description
1	M806419	ENGINE OIL FILTER	11A	LVU22923	RADIATOR HOSE - UPPER
2	LVA10419	HYDRAULIC FILTER	11B	LVU25024	RADIATOR HOSE - LOWER
3A	MIU802421	FUEL FILTER - FINAL	11C	LVU25923	HOSE CLAMP - UPPER
3B	MIU803127	FUEL FILTER - PRIMARY	11D	LVU25924	HOSE CLAMP - LOWER
4A	RE68048	AIR FILTER - PRIMARY	12A	LVA14951	TIE ROD ASSEMBLY
4B	RE68049	AIR FILTER - SECONDARY	12B	LVA14959	BALL JOINT SOCKET - RH
5	LVU26396	BELT - FAN	12C	LVA14960	BALL JOINT SOCKET - LH
6	LVA15188	BATTERY - WET CHARGED	13	LVA19041	SEAT
7	AM879743	STARTER	14	LVA18142	SWITCH MODULE
8A	RE183935	KEY - IGNITION	15	LVA18613	ALTERNATOR
8B	RE61717	SWITCH - IGNITION	16	MIU803276	DIESEL PARTICULATE FILTER
9	LVA17902	HEADLIGHT - LH	17	LVA18720	LAMP - TURN/WARNING - LH
	LVA17901	HEADLIGHT - RH		LVA18721	LAMP - TURN/WARNING - RH
10	M811034	THERMOSTAT			

## Parts Needed in First 200 Hours of Operation

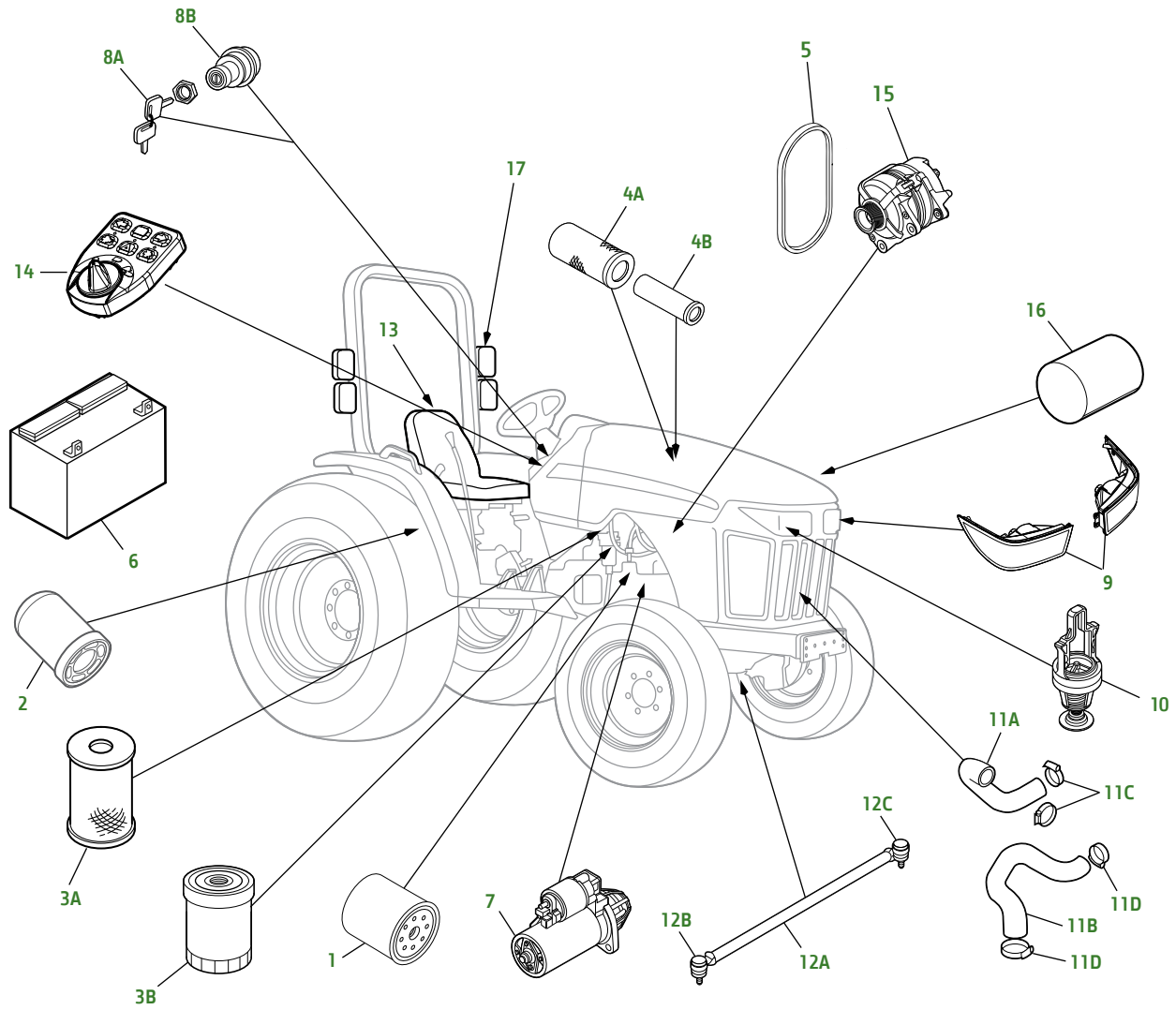
Qty	Part No.	Item	Capacity	Interval In Hours
1	M806419	Engine Oil Filter		200
1	TY26675	Plus-50™ II 15W-40 Engine Oil	1.2 gal	200
1	TY6341	Multi-Purpose SD Polyurea Grease (14 oz)		As Needed

## Frequently Used Items

Qty	Part No.	Item
1	LVA10419	Hydraulic Filter
1	MIU803127	Fuel Filter - Primary
1	MIU802421	Fuel Filter - Final
1	RE68049	Air Filter - Secondary
1	RE68048	Air Filter - Primary
1	LVU26396	Belt - Fan
1	RE183935	Key
1	LVA19485	Fuel Filler Cap (OOS)
1	AL213202	Fuel Filler Cap (CAB)
1	TY26518	Grease Gun

# 4066R Compact Utility Tractor

Compact Utility Tractors



# 4066R Compact Utility Tractor

Key	Part No.	Description	Key	Part No.	Description
1	M806419	ENGINE OIL FILTER	11A	LVU22923	RADIATOR HOSE - UPPER
2	LVA10419	HYDRAULIC FILTER	11B	LVU25024	RADIATOR HOSE - LOWER
3A	MIU802421	FUEL FILTER - FINAL	11C	LVU25923	HOSE CLAMP - UPPER
3B	MIU803127	FUEL FILTER - PRIMARY	11D	LVU25924	HOSE CLAMP - LOWER
4A	RE68048	AIR FILTER - PRIMARY	12A	LVA14951	TIE ROD ASSEMBLY
4B	RE68049	AIR FILTER - SECONDARY	12B	LVA14959	BALL JOINT SOCKET - RH
5	LVU26396	BELT - FAN	12C	LVA14960	BALL JOINT SOCKET - LH
6	LVA15188	BATTERY - WET CHARGED	13	LVA19041	SEAT
7	AM879743	STARTER	14	LVA18142	SWITCH MODULE
8A	RE183935	KEY - IGNITION	15	LVA18613	ALTERNATOR
8B	RE61717	SWITCH - IGNITION	16	MIU803276	DIESEL PARTICULATE FILTER
9	LVA17902	HEADLIGHT - LH	17	LVA18720	LAMP - TURN/WARNING - LH
	LVA17901	HEADLIGHT - RH		LVA18721	LAMP - TURN/WARNING - RH
10	M811034	THERMOSTAT			

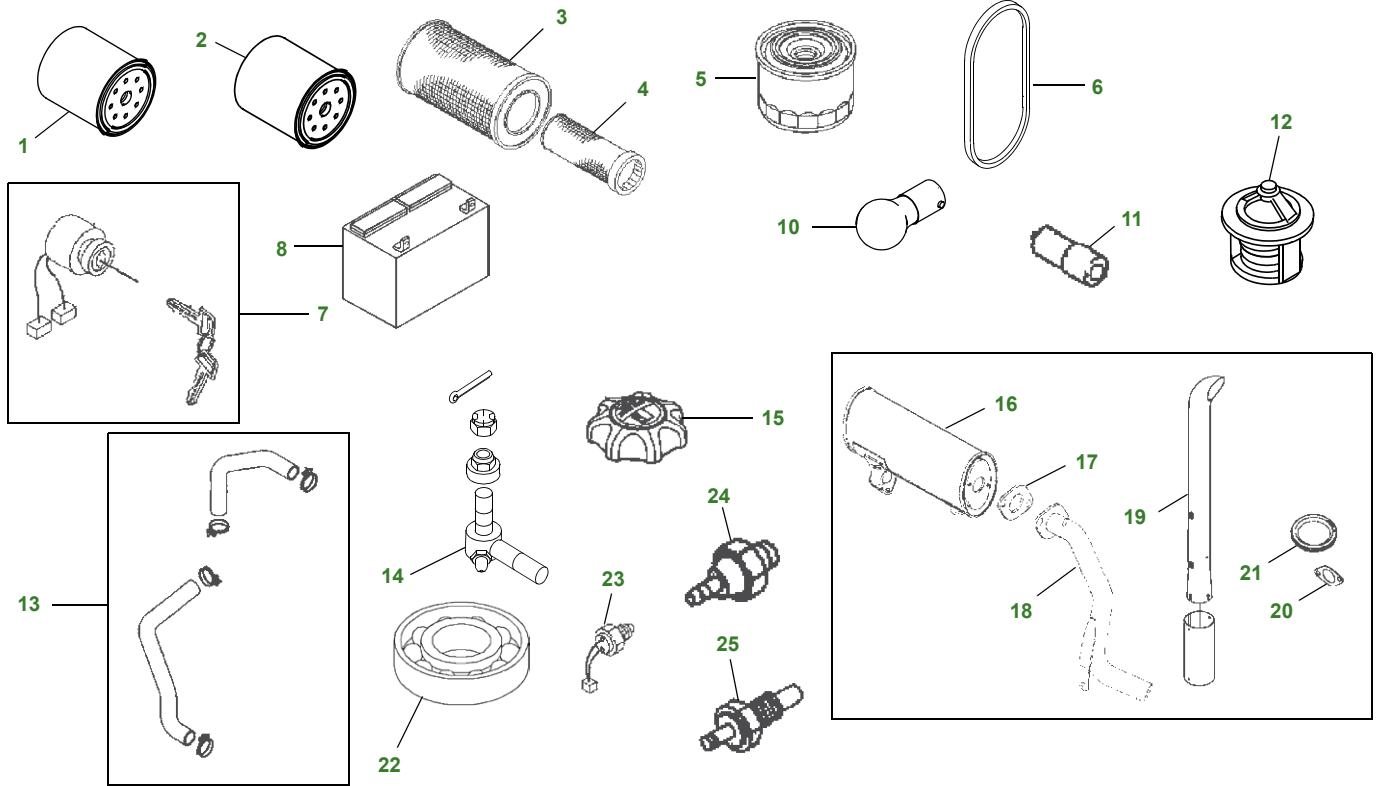
## Parts Needed in First 200 Hours of Operation

Qty	Part No.	Item	Capacity	Interval In Hours
1	M806419	Engine Oil Filter		200
1	TY26675	Plus-50™ II 15W-40 Engine Oil	1.2 gal	200
1	TY6341	Multi-Purpose SD Polyurea Grease (14 oz)		As Needed

## Frequently Used Items

Qty	Part No.	Item
1	LVA10419	Hydraulic Filter
1	MIU803127	Fuel Filter - Primary
1	MIU802421	Fuel Filter - Final
1	RE68049	Air Filter - Secondary
1	RE68048	Air Filter - Primary
1	LVU26396	Belt - Fan
1	RE183935	Key
1	LVA19485	Fuel Filler Cap (OOS)
1	AL213202	Fuel Filler Cap (CAB)
1	TY26518	Grease Gun

# 4005 Compact Utility Tractor

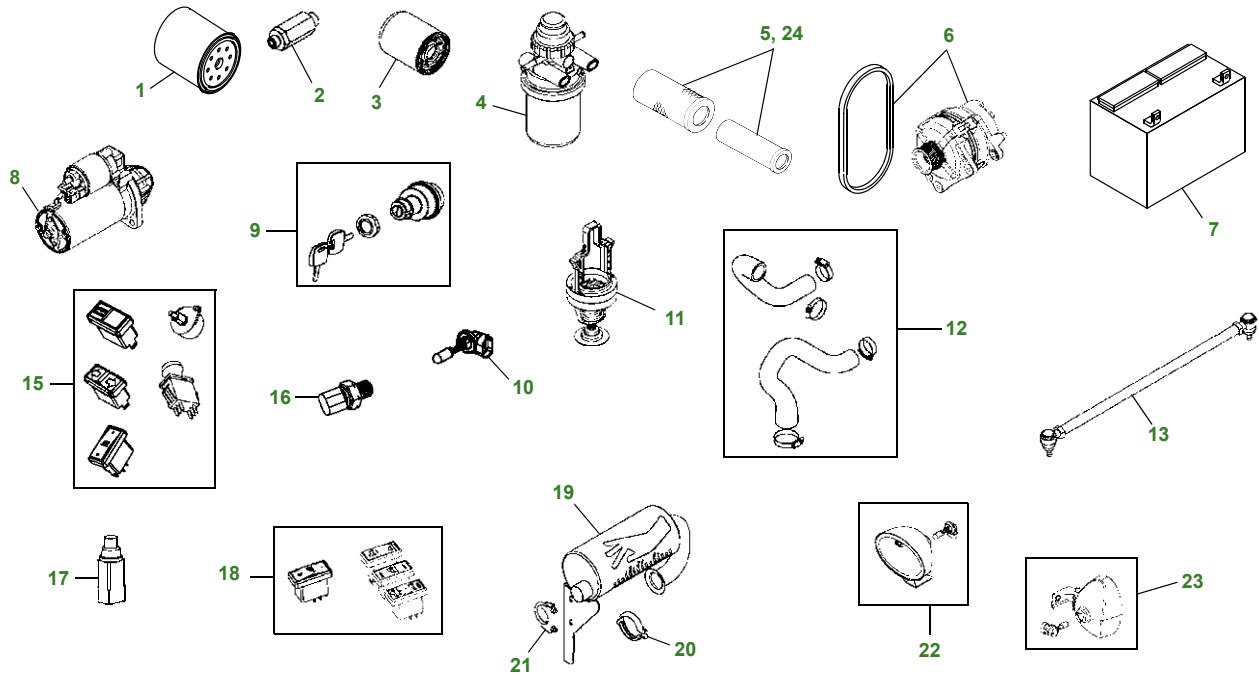


Key	Part No.	Description	Key	Part No.	Description
1	M806419	ENGINE OIL FILTER			
2	RE27284	TRANSMISSION FILTER			
3	M131802	AIR FILTER - PRIMARY			
4	M131803	AIR FILTER - SECONDARY			
5	MIU800645	FUEL FILTER			
6	MIU800817	BELT - WATER PUMP			
7	CH12206	KEY			
	AM876787	IGNITION SWITCH			
8	TY26442	BATTERY			
9	M805158	SEAT			
	LVA802931	SEAT SWITCH			
10	LVA802639	BULB (TAILLIGHT)			
	LVU800770	BULB (WARNING FLASHER)			
11	LVU802876	BULB (HEADLIGHT)			
12	M811034	THERMOSTAT			
	M805834	THERMOSTAT GASKET (UPPER)			
	M805835	THERMOSTAT GASKET (LOWER)			
13	M809537	UPPER RADIATOR HOSE			
	LVU801272	LOWER RADIATOR HOSE			
	TY22467	RADIATOR HOSE CLAMPS			
	et16707	RADIATOR CAP			
14	AM878076	MFWD TIE ROD END (LH)			
	AM878075	MFWD TIE ROD END (RH)			
	AM878076	2WD TIE ROD END (LH)			
	AM878075	2WD TIE ROD END (RH)			
15	AT20911	FUEL FILLER CAP			
16	M811338	MUFFLER			
17	LVU801094	MUFFLER GASKET			
18	LVA802956	EXHAUST PIPE			
19	LVA802837	EXTENSION			
20	M801042	GASKET			
21	LVU15957	GROMMET			
22	CH14693	MFWD FRONT WHEEL BEARING (INNER)			
	CH15042	MFWD FRONT WHEEL BEARING (OUTER)			
	CH11146	2WD FRONT WHEEL BEARING (INNER)			
	CH11145	2WD FRONT WHEEL BEARING (OUTER)			
23	T110736	SENSOR - COOLANT TEMP			
24	M809526	SWITCH - OIL PRESSURE			
25	CH13415	SWITCH - NEUTRAL START			

### Parts Needed in First 250 hours of Operation

Qty	Part No.	Item	Capacity	Interval In Hours
2	M806419	Oil Filter		50/200
2	TY26675	2 1/2 Gal Plus 50 15W40 Engine Oil	5.6 qt	50/200
1	RE27284	Transmission Filter		50
2	TY6342	5 Gal Low Viscosity Hy-Gard Hydraulic Oil	6.9 gal	50
3	TY6341	Special Purpose SD Polyurea Grease		As Needed

# 4120 / 4320 / 4520 / 4720 Compact Utility Tractor

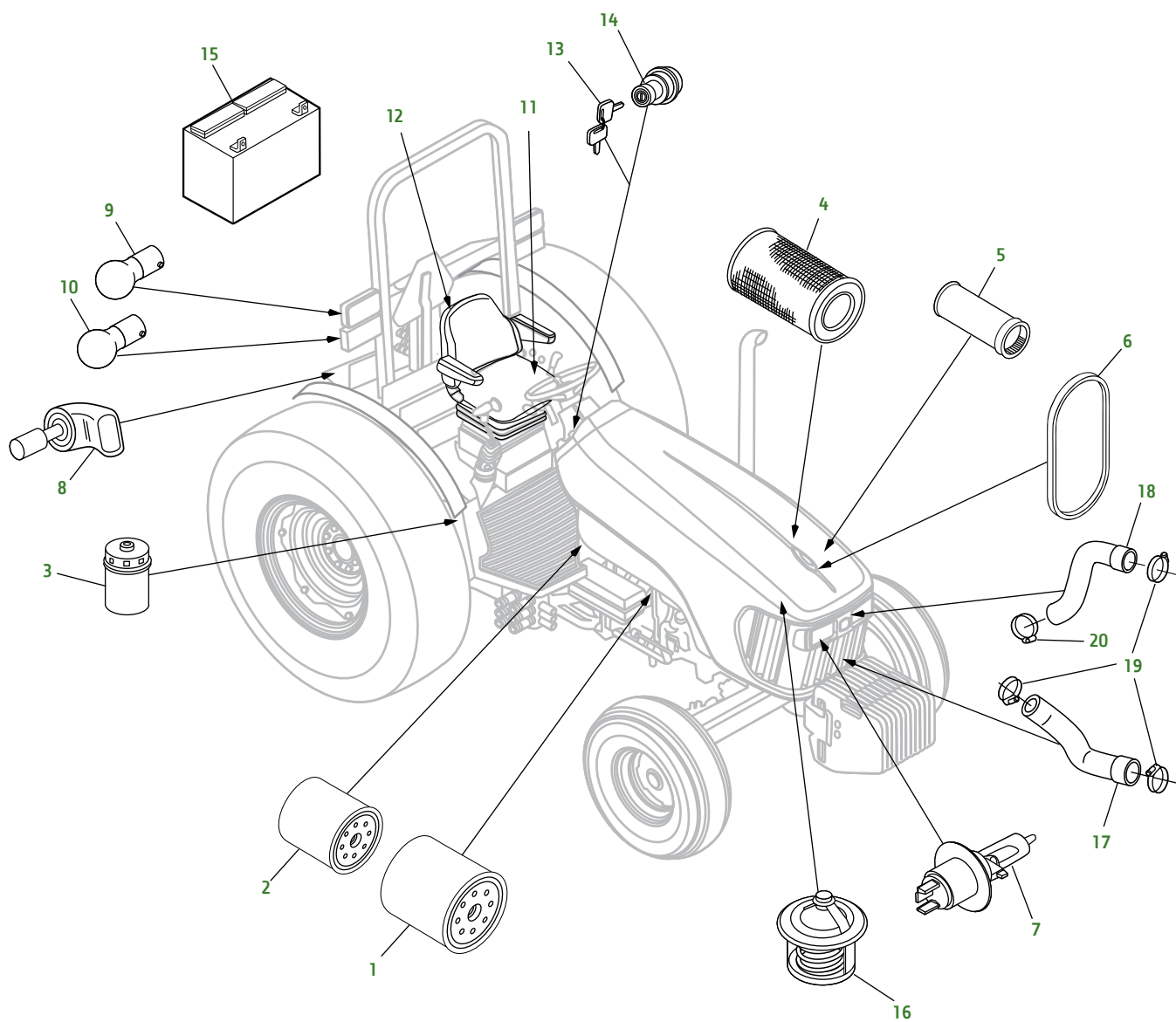


Key	Part No.	Description	Key	Part No.	Description
1	RE519626	.....FILTER - ENGINE OIL	14	LVA12909	.....SEAT
2	LVA14167	.....FILTER - TRANS - INLINE	AM124426	.....SWITCH, SEAT	
3	LVA13038	.....FILTER ELEMENT - SUCTION	15	AM124875	.....SWITCH, LIGHT
4	RE508202	.....FILTER - FUEL	AM118802	.....SWITCH, PTO	
5	AP33330	.....AIR FILTER - PRIMARY	LVA12928	.....SWITCH, TURN SIGNAL	
	AP33331	.....AIR FILTER - SECONDARY	LVA12930	.....SWITCH, DISPLAY MODE	
6	R516400	.....BELT - FAN (4120 - 4024TLV04)	LVA11189	.....SWITCH, ANTI STALL	
	R515222	.....BELT, FAN (ALL OTHERS)	16	RE12411	.....SWITCH, MFWD ENGAGE AND NEUTRAL STRT
7	TY26442	.....BATTERY	17	LVA13307	.....SWITCH, PARK BRAKE
8	RE540304	.....STARTER	18	LVA11177	.....SWITCH, CRUISE
9	RE183935	.....KEY, IGNITION	LVA11182	.....SWITCH, LOADER (MOWER MODE)	
	RE61717	.....SWITCH, IGNITION	LVA11179	.....SWITCH, CRUISE (ACCEL/DECCEL)	
10	57M7166	.....BULB, HEADLIGHT	LVA11178	.....SWITCH, CRUISE (MAX SPEED)	
	AD2062R	.....BULB, TAIL LIGHT	19	LVA12690	.....MUFFLER
11	RE526915	.....THERMOSTAT	20	RE30241	.....CLAMP
12	LVU14770	.....RADIATOR HOSE (UPPER)	21	AM118997	.....CLAMP
	LVU14769	.....RADIATOR HOSE (LOWER)	22	RE198622	.....WORKLIGHT - FRONT
	TY22470	.....HOSE CLAMP (ENGINE END)	R136239	.....BULB, WORKLIGHT	
	AR44217	.....HOSE CLAMP (RADIATOR END)	23	RE198623	.....WORKLIGHT - REAR
13	LVA14951	.....TIE ROD TUBE	R136239	.....BULB, WORKLIGHT	
	LVA10728	.....BALL JOINT SOCKET - RH	24	LVA14896	.....FILTER PAK
	LVA10727	.....BALL JOINT SOCKET - LH			

## Parts Needed in First 250 hours of Operation

Qty	Part No.	Item	Capacity	Interval In Hours
2	RE519626	Oil Filter		50/200
2	TY26675	2 1/2 Gal Plus 50 15W40 Engine Oil	7.9 qt	50/200
3	TY6341	JD Multi Purpose SD Polyurea Grease		As Needed

# 5045D / 5055D / 5045E / 5055E / 5065E / 5075E Utility Tractors



# 5045D / 5055D / 5045E / 5055E / 5065E / 5075E Utility Tractors

Key	Part No.	Description	Key	Part No.	Description
1	RE519626	ENGINE OIL FILTER	11	RE258487	SEAT CUSHION - BASE
2	RE45864	FILTER ELEMENT - HYDRAULIC OIL	12	RE258488	SEAT CUSHION - BACK
3	RE60021	FUEL FILTER	13	RE183935	KEY
4	RE282286	AIR FILTER - PRIMARY	14	RE61717	SWITCH - IGNITION
5	RE282287	AIR FILTER - SECONDARY	15	TY25272	BATTERY
6	R216949	BELT - FAN	16	RE501052	THERMOSTAT
7	57M7166	BULB - HEADLIGHT	17	R218899	RADIATOR HOSE - LOWER
8	R136239	BULB - TAIL LIGHT	18	R218898	RADIATOR HOSE - UPPER
9	AD2062R	BULB - WARNING LIGHT	19	TY22470	HOSE CLAMP
10	AR48041	BULB - TURN/TAIL LIGHT	20	AR44217	HOSE CLAMP

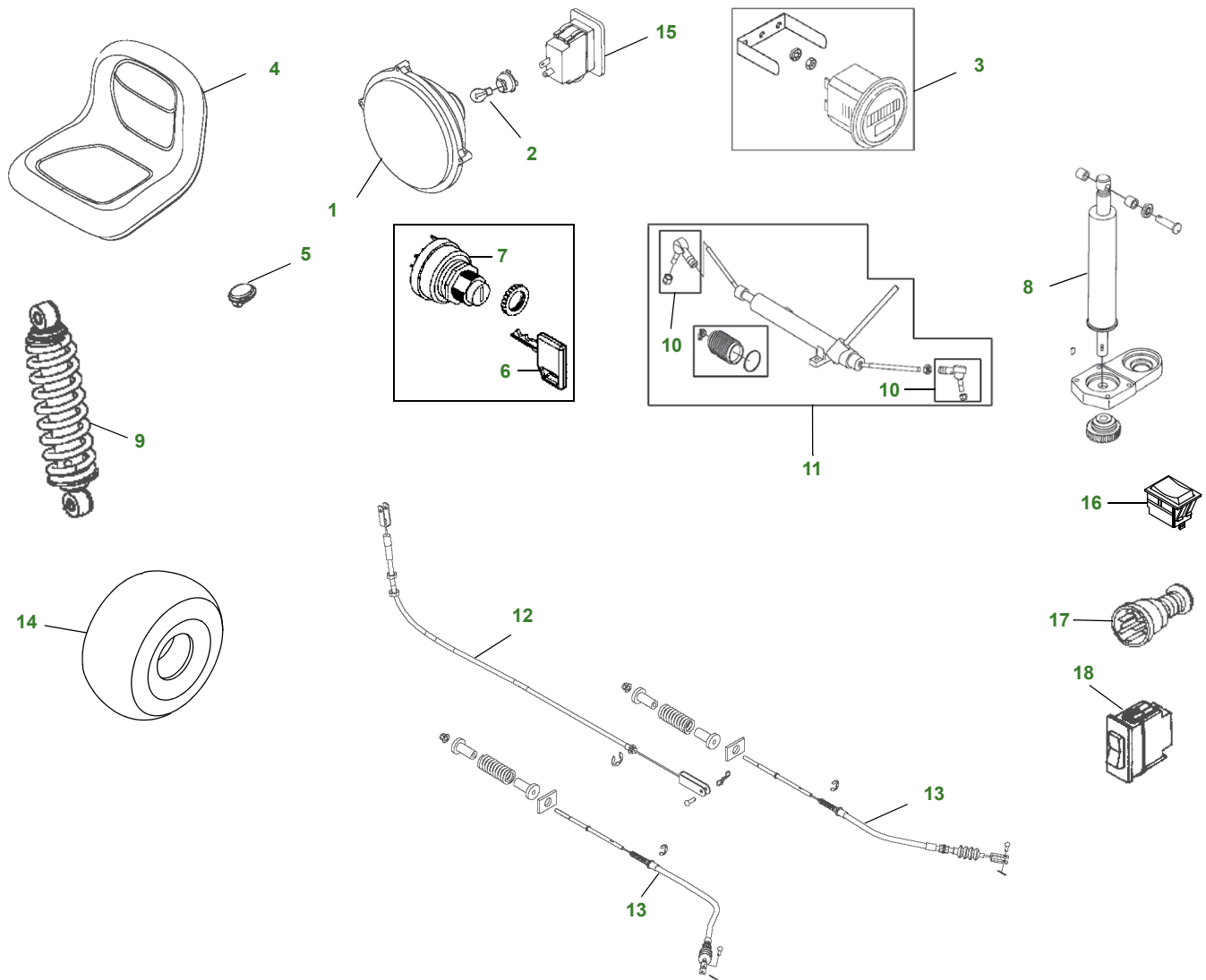
## Parts Needed in First 250 Hours of Operation

Qty	Part No.	Item	Capacity	Interval In Hours
2	RE519626	Engine Oil Filter		100/250
1	TY26671	Plus-50™ II 10W-30 Engine Oil - 5 gal	9 qt	100/250
2	RE45864	Filter Element - Hydraulic Oil		100/250
4	AR69444 (U.S.)	Hy-Gard™ Hydraulic Oil - 5 gal	10 gal	100/250
8	TY22062 (CAN)	Hy-Gard™ Hydraulic Oil - 2 1/2 gal		
1	RE282286	Air Filter - Primary		250
1	RE282287	Air Filter - Secondary		250
1	TY6341	Multi-Purpose SD Polyurea Grease (14 oz)		As Needed

## Frequently Used Items

Qty	Part No.	Item
1	RE282286	Air Filter - Primary
1	RE282287	Air Filter - Secondary
1	RE60021	Fuel Filter
1	RE45864	Filter Element - Hydraulic Oil
1	R216949	Belt - Fan
1	RE519626	Engine Oil Filter
1	RE183935	Key
1	TY26518	Grease Gun

# Gator™ TE

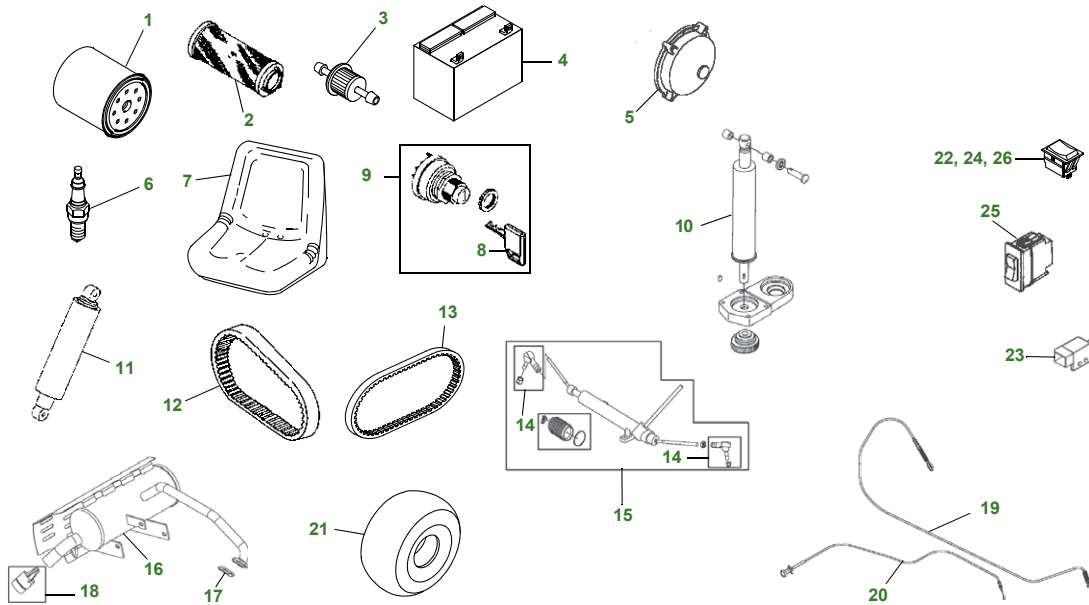


Key	Part No.	Description	Key	Part No.	Description
1	AM143353	.....HEADLIGHT	10	AM121758	.....TIE ROD END
2	AM127364	.....BULB - HEADLIGHT	11	AM135627	.....STEERING RACK
3	AM126632	.....HOUR AND BATTERY METER KIT	12	VGA10995	.....CABLE
4	VG11696	.....SEAT	13	AM135782	.....CABLE - BRAKE (2)
5	AM135933	.....SEAT SWITCH	14	M152020	.....TIRE - FRONT ( 22.5 X 9.50 X 10) TURF TRAC
6	AM131841	.....KEY		VG12343	.....TIRE - REAR ( 24 X 12 X 10) TURF TRAC
7	AM128385	.....IGNITION SWITCH (W/POWER LIFT KIT)			- (S/N -050000)
	TCA22740	.....IGNITION SWITCH		M155433	.....TIRE - REAR (24 X 12 -10) TURF TRAC
8	AM119894	.....KIT - LEAD SCREW AND COVER			- (S/N 050001-)
		- (S/N - 050000)	15	AM117324	.....ROCKER SWITCH - HEADLIGHT
	AM133671	.....KIT - ACTUATOR HOUSING	16	VGA12005	.....SWITCH - FORWARD/NEUTRAL/REVERSE
		- (S/N - 050000)	17	AM127227	.....SWITCH - SERVICE
	AM138452	.....ACTUATOR - (S/N 050001-)	18	AM128385	.....SWITCH - CARGO POWER LIFT
9	AM129514	.....SHOCK ABSORBER			

## Parts Needed in First 250 hours of Operation

Qty	Part No.	Item	Capacity	Interval In Hours
3	TY6341	Multi Purpose SD Polyurea Grease (14 oz)		As Needed

# Gator TX Turf



Key	Part No.	Description	Key	Part No.	Description
1	AM107423	OIL FILTER		AM140027	CABLE - CHOKE - (S/N -010000)
2	M113621	AIR FILTER ELEMENT		AM137320	CABLE - CHOKE - (S/N 010001)
3	AM116304	FUEL FILTER	21	M151109	TIRE - FRONT (22X9.5-10) ALL PURPOSE (A)
4	TY25221	BATTERY		M154622	TIRE - FRONT (22X9.5-10) ALL PURPOSE (B)
5	AM143352	HEADLIGHT		M152020	TIRE - FRONT (22X9.5-10) TURF (A)
6	M138938	SPARK PLUG		M155431	TIRE - FRONT (22X9.5-10) TURF (B)
7	AM140221	SEAT - (S/N -050000)		M152019	TIRE - FRONT (22X9.5-10) AT489 (A)
	VG11696	SEAT - (S/N 050001-)		M155430	TIRE - FRONT (22X9.5-10) AT489 (B)
8	AM131841	KEY		VG12336	TIRE - REAR (24X10.5-10) ALL PURPOSE (A)
9	TCA22740	IGNITION SWITCH		M154623	TIRE - REAR (24X10.5-10) ALL PURPOSE (B)
10	AM133671	KIT - ACTUATOR HOUSING - (S/N - 050000)		VG12343	TIRE - REAR (24X10.5-10) TURF (A)
	AM138031	ACTUATOR - (S/N 050001-)		M155433	TIRE - REAR (24X10.5-10) TURF (B)
11	AM133682	SHOCK		VG12342	TIRE - REAR (24X10.5-10) AT489 (A)
12	M150046	BELT - DRIVE		M155432	TIRE - REAR (24X10.5-10) AT489 (B)
13	M150588	BELT - STARTER/GENERATOR	22	AM117324	ROCKER SWITCH - HEADLIGHT
14	AM121758	TIE ROD END	23	AM128925	SWITCH - BRAKE / BACKUP ALARM
15	AM135627	RACK	24	AM116574	SWITCH - TURN SIGNAL
16	AM134902	MUFFLER - (S/N -050000)	25	AM116712	SWITCH - CARGO POWER LIFT
	AM136708	MUFFLER - (S/N 050001-)	26	AM126081	SWITCH - HAZZARD
17	M136651	GASKET			
18	AM108146	SPARK ARRESTOR - (S/N -050000)			
19	VGA11022	CABLE - THROTTLE - (S/N -050000)			
	AM136949	CABLE - THROTTLE - (S/N 050001-)			

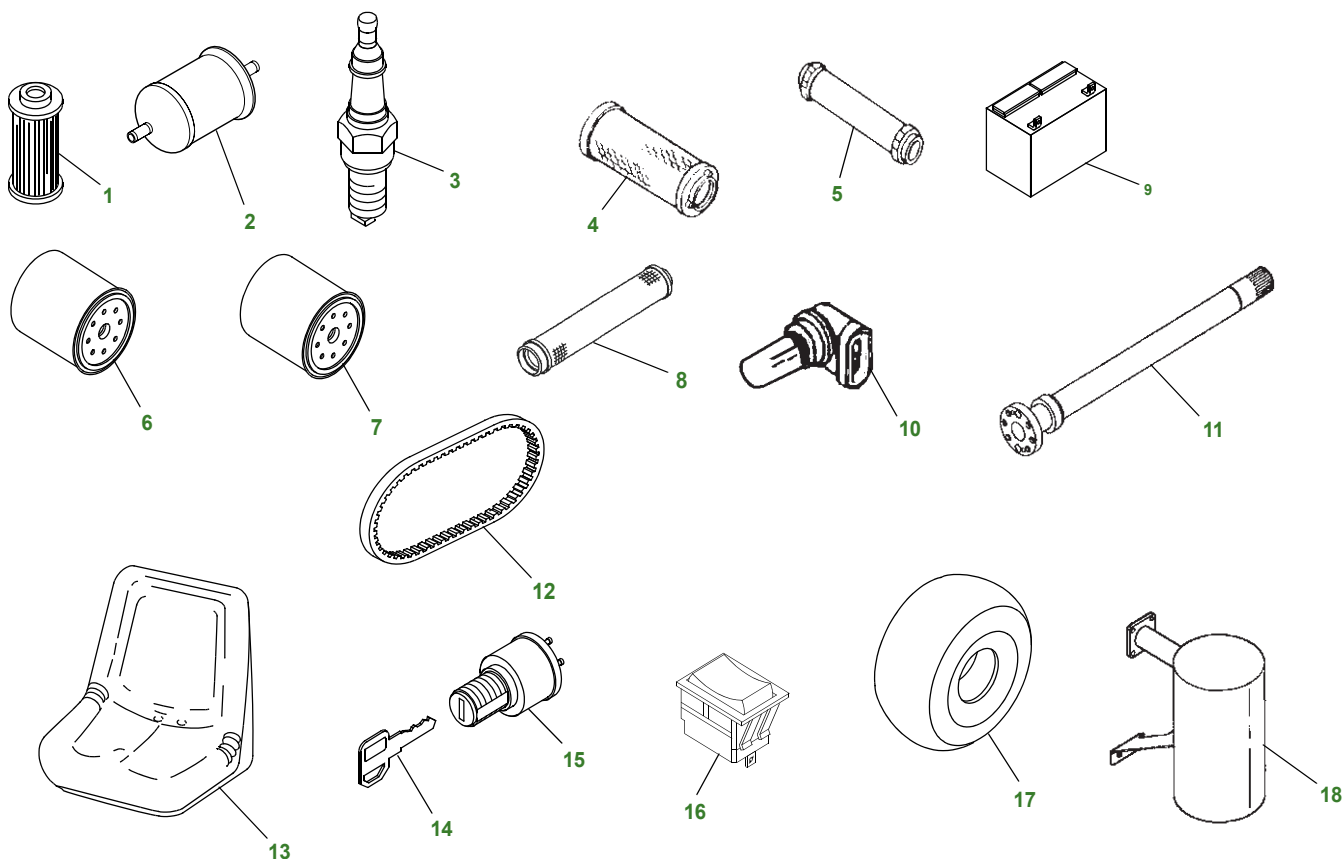
**(A) CARLISLE TIRES**  
**(B) INNOVA TIRES**  
 (Mixing between Carlisle and Innova is not allowed, replace in complete sets)

### Parts Needed in First 250 hours of Operation

Qty	Part No.	Item	Capacity	Interval In Hours
3	AM107423	Engine Oil Filter		8/100/200
1	TY22076	TURF GARD™ 10W-30 Engine Oil - Gas - 2 1/2 gal	1.37 qt	8/100/200
1	M138938	Spark Plug	200	
1	M113621	Air Filter	200	
1	AM116304	Fuel Filter	200	
3	TY6341	Multi-Purpose SD Polyurea Grease (14 oz)	As Needed	

Utility Vehicles

# ProGator 2020A / 2030A



Key	Part No.	Description	Key	Part No.	Description
1	M801101	FUEL FILTER - ELEMENT - 2030A	12	T111546	BELT - WATER PUMP - 2020A - (S/N -011029)
2	AM876035	FUEL FILTER - 2020A - (S/N -060000)		M811284	BELT - WATER PUMP - 2020A - (S/N 011030-)
	MIU13548	FUEL FILTER - 2020A - (S/N 060001-)		RG60467	BELT - WATER PUMP - DIESEL - 2030A
3	M805853	SPARK PLUG - 2020A - (S/N -060000)	13	TCA21044	SEAT - (S/N -075000)
	MIU13556	SPARK PLUG - 2020A - (S/N 060001-)		TCA24320	SEAT - (S/N 080001-)
4	M113621	AIR FILTER - PRIMARY	14	AM131841	KEY
5	M123378	AIR FILTER - SECONDARY	15	TCA22740	SWITCH - IGNITION
6	M806418	ENGINE OIL FILTER - 2020A - (S/N -060000) & 2030A	16	AM117324	ROCKER SWITCH - WORK LIGHTS
	MIU13555	ENGINE OIL FILTER - 2020A - (S/N 060001-)	17	TCU30414	TIRE - REAR - 26 X 12 X 12
7	M131053	HYDRAULIC OIL FILTER		M145115	TIRE - REAR - 26 X 14 X 12
8	AM130017	AUXILIARY HYDRAULIC STRAINER (S/N -060000)		M129988	TIRE - FRONT - 23 X 10.5 X 12
9	TY25876	BATTERY (DRY)	18	TCA16614	MUFFLER - 2030A (S/N -080000)
10	R136239	BULB - HEADLIGHT		TCA22442	MUFFLER - 2030A (S/N 080001-)
11	M809135	REAR AXLE (LH)		TCA20138	MUFFLER - 2020A (S/N 060001-)
	M809136	REAR AXLE (RH)		TCA17328	MUFFLER - 2020A (S/N -060000)

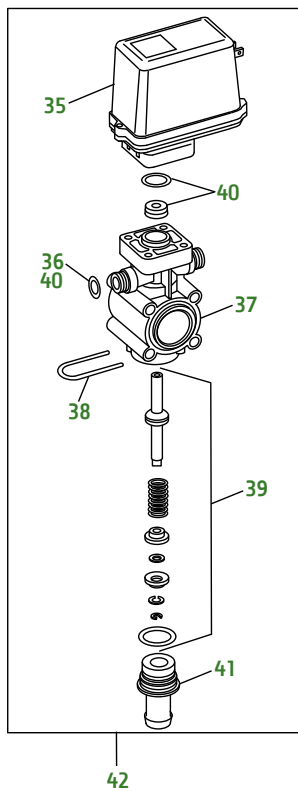
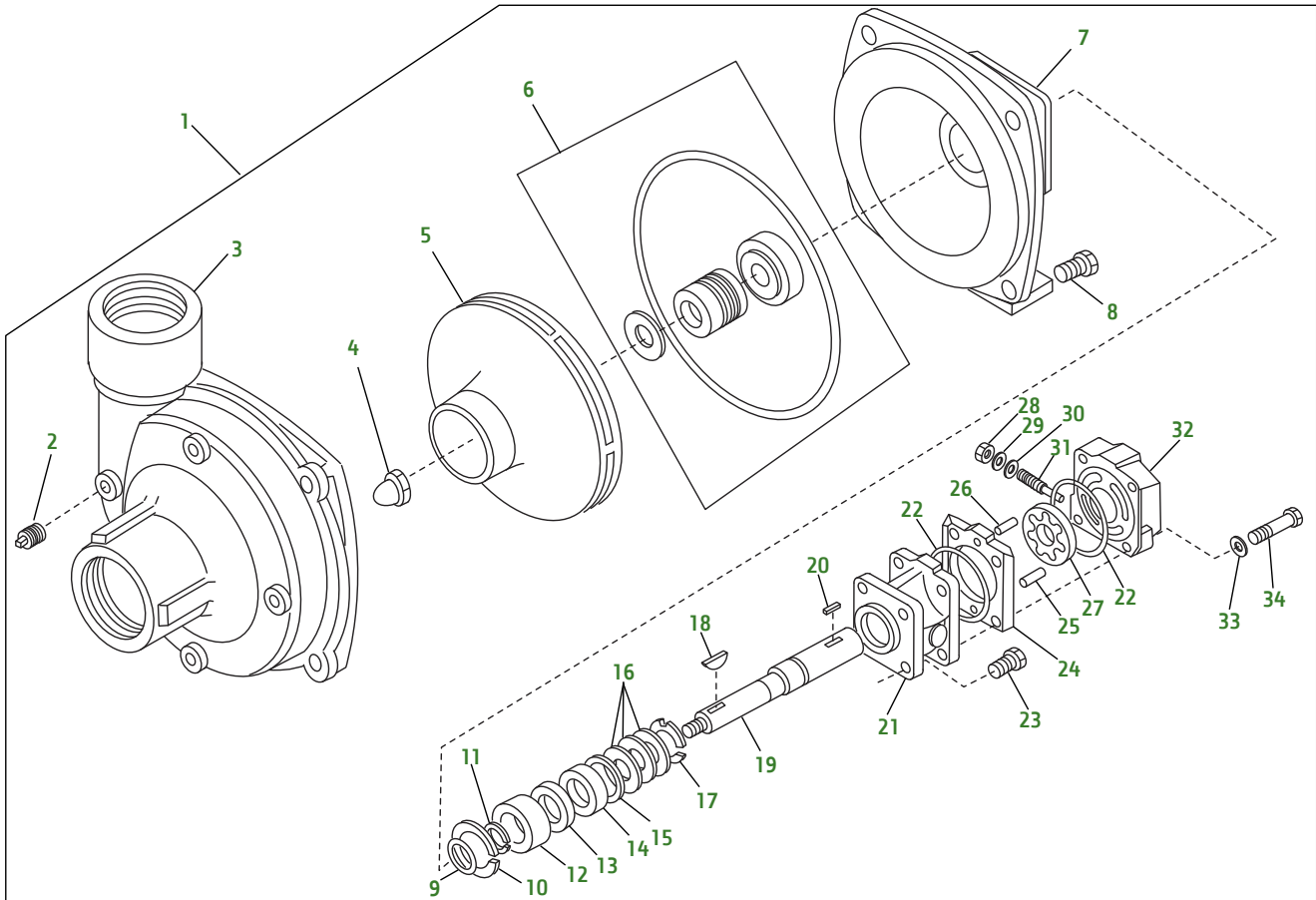
# ProGator 2020A / 2030A (Continued)

## Parts Needed in First 250 hours of Operation

Qty	Part No.	Item	Capacity	Interval In Hours
2	M806418	Engine Oil Filter - 2020A (S/N -60000) & 2030A		50/200
2	MIU13555	Engine Oil Filter - 2020A (S/N 060001-)		
1	TY26675	JD Plus-50™ II 15W-40 Engine Oil - 2030A - 2 1/2 gal	2.2 qt	50/200
1	TY22076	TURF-GARD™ 10W-30 Engine Oil - 2020A - 2 1/2 gal	3.4 qt	
1	AM130017	Transmission Oil Strainer (S/N -60000)		50
1	M131053	Hydraulic Filter		50
1	AR69444	JD Hygard Trans/Hydraulic Oil - 5 gal	2.8 gal Trans / Hyd 3.5 qt - Front Axle	50
3	TY6341	John Deere Multi-Purpose SD Polyurea Grease (14 oz)		As Needed

\*Refer to Operators Manual for service intervals if using BioDiesel Fuel and Bio Hy-Gard.

# HD200 / HD300 SelectSprayer™ Series



Utility Vehicles

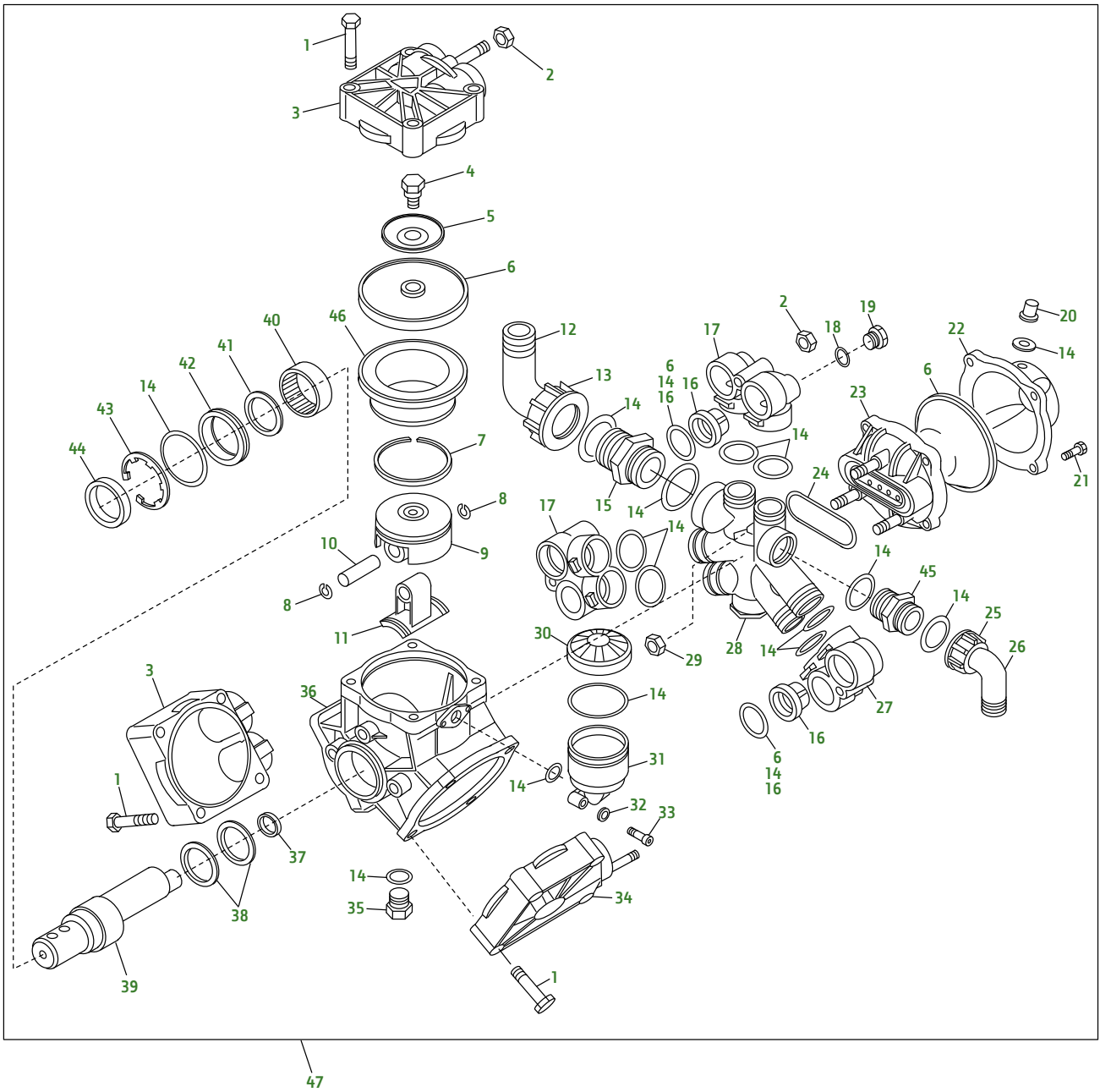
# HD200 / HD300 SelectSprayer™ Series

Key	Part No.	Description	Key	Part No.	Description
1	AMT2343.....	PUMP - CAST IRON	21	AMT2348.....	CASE
	TCA21005.....	PUMP - STAINLESS STEEL	22	PM17200110.....	O-RING
2	15H638.....	PIPE PLUG (C) 1/8 in.	23	19H2127.....	CAP SCREW
	TCU17873.....	DRAIN PLUG (S)	24	MT5093.....	HOUSING
3	MT6330.....	CASE (C)	25	MT6334.....	DOWEL PIN
	TCU17874.....	CASE (S)	26	MT6335.....	DOWEL PIN
4	PM22530002.....	NUT (C) (IMPELLER REPAIR ONLY)	27	MT5100.....	ROTATOR
	TCU17875.....	NUT (S)	28	MT5124.....	LOCK NUT
5	MT4438.....	IMPELLER (C)	29	MT5103.....	WASHER
	PM04029100P.....	IMPELLER (S)	30	PM17000047.....	GASKET
	26H77.....	KEY (S)	31	PM32200029.....	STEM - BYPASS ADJUSTING
6	AN206043.....	SEAL KIT	32	AMT2349.....	PLATE HYDRAULIC MOTOR END
7	MT5050.....	FLANGE (C)	33	12H303.....	LOCK WASHER
	TCU17876.....	FLANGE (S)	34	19H3427.....	SCREW
8	19H2284.....	CAP SCREW (C)	35	AMT2246.....	MOTOR
	E70674.....	CAP SCREW (S)	36	TCU51830.....	SEAL - VALVE BODY
9	MT4440.....	RING	37	TCU27307.....	VALVE - HOUSING (S/N -055168)
10	M41029.....	SNAP RING			(USE WITH TCA19696)
11	PM18100014.....	SNAP RING	38	MT4608.....	CLIP
12	PM20000010.....	BALL BEARING	39	TCA51326.....	PLUNGER
13	MT6905.....	SPACER	40	TCA51325.....	SEAL KIT
14	PM34300748.....	SEAL	41	MT4609.....	FITTING - OUTLET
15	MT5076.....	SPACER	42	TCA19696.....	ELEC. PROPORTIONAL
16	PM20290014.....	THRUST BEARING			VALVE (S/N -055168)
17	MT5077.....	SNAP RING		TCA20665.....	ELEC. PROPORTIONAL
18	MT5086.....	SHAFT KEY			VALVE (S/N 055169-)
19	PM05312500.....	SHAFT			
20	PM16100032.....	PIN (C)			
	TCU17877.....	SHAFT KEY (S)			
			S.....		STAINLESS STEEL
			C.....		CAST IRON

## Parts Needed in First 250 hours of Operation

Qty	Part No.	Item	Capacity	Interval In Hours
1	TY6333	John Deere Moly High Temp EP Grease		As Needed

# HD200 / HD300 SelectSprayer™ Series



Utility Vehicles

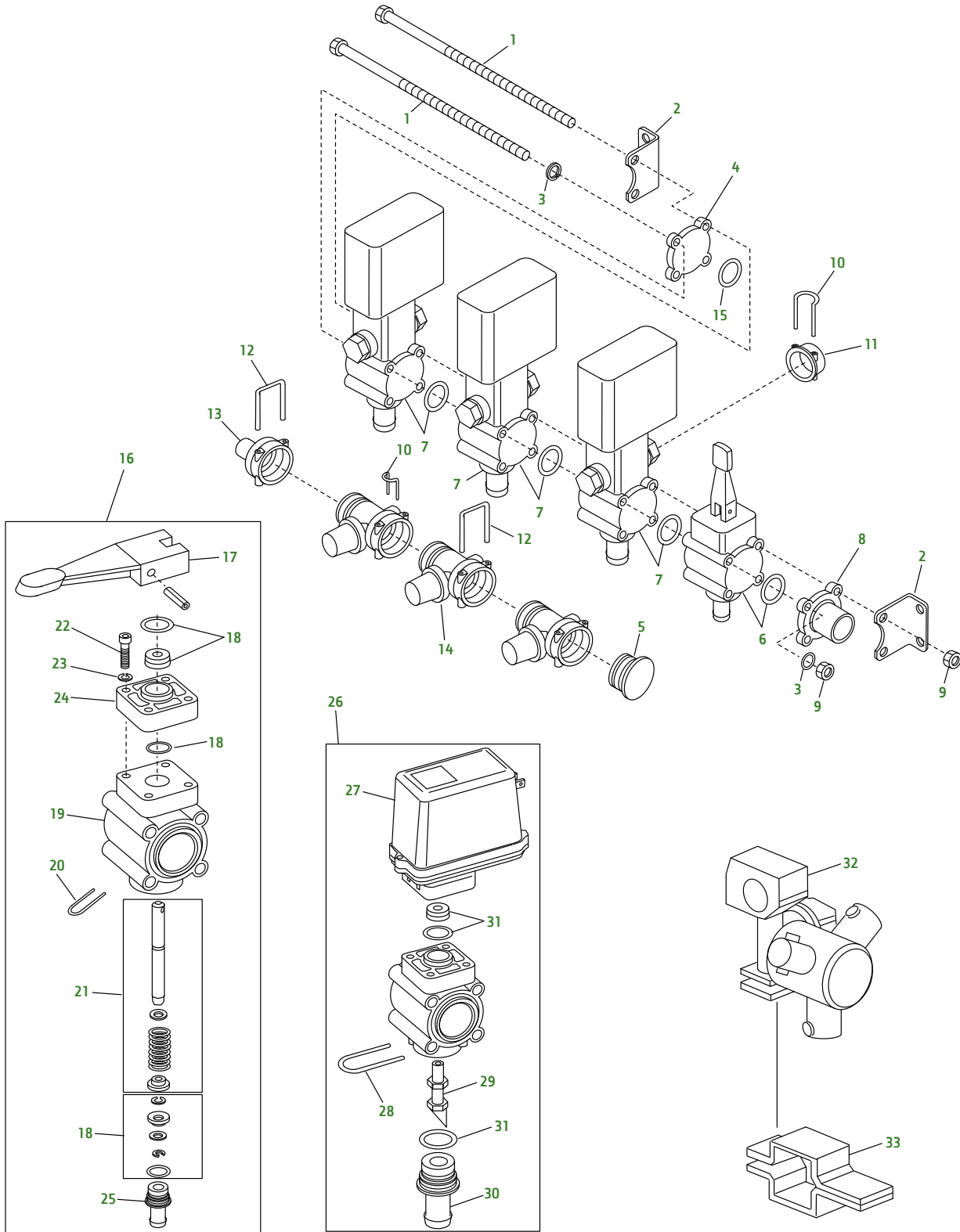
# HD200 / HD300 SelectSprayer™ Series

Key	Part No.	Description	Key	Part No.	Description
1	19M7181	CAP SCREW	27	TCA19688	RETAINER, SX LEFT VALVE
2	14M7274	NUT	28	TCA19679	PUMP REPAIR KIT
3	TCA19680	PUMP REPAIR KIT	29	14M7273	NUT
4	TCU27291	BOLT	30	TCU27293	FILLER CAP, SIGHT GLASS
5	TCU27290	WASHER	31	TCU27292	RESERVOIR
6	TCA19675	DIAPHRAGM KIT	32	24M7054	WASHER
7	TCU27255	PISTON RING	33	19M8263	SCREW
8	TCU27258	RING	34	TCA19681	PUMP REPAIR KIT, SX LEFT
9	TCU27256	PISTON	35	TCU27288	DRAIN PLUG
10	TCU27257	PISTON PIN	36	TCA19678	PUMP, BODY
11	TCU27259	CONNECTING ROD	37	TCA19686	BUSHING
12	TCU27286	ELBOW FITTING	38	TCU27282	RING
13	TCU27271	O-RING	39	TCU27281	SHAFT
14	TCA19677	O-RING KIT	40	TCA19685	CYNDRICAL ROLLER BEARING
15	TCU27272	ADAPTER FITTING	41	TCA27280	SPACER
16	TCA19676	VALVE KIT	42	TCU27279	GASKET
17	TCA19687	RETAINER, DX RIGHT VALVE	43	TCU27278	RETAINER
18	TCU27268	O-RING	44	TCU27287	SEALING RING
19	TCU27289	PLUG	45	TCU27283	ADAPTER FITTING
20	TCA19684	VALVE	46	TCU27254	SLEEVE
21	19M7881	SCREW	47	TCA19660	PUMP
22	TCU27277	PNEUMATIC, ACCUMULATOR			
23	TCA19683	MAINFOLD, ACCUMULATOR			
24	TCU27275	GASKET			
25	TCU27284	NUT			
26	TCU27285	ELBOW FITTING			

## Parts Needed in First 250 hours of Operation

Qty	Part No.	Item	Capacity	Interval In Hours
1	TCA19675	Diaphragm Pump Replacement Kit		Annually
3	TY6333	John Deere Moly High Temp EP Grease		As Needed

# HD200 / HD300 SelectSprayer™ Series



Utility Vehicles

# HD200 / HD300 SelectSprayer™ Series

Key	Part No.	Description	Key	Part No.	Description
1	19M8140	CAP SCREW (4)		TCU27178	CLIP, THROTTLE VALVE - HD200
2	TCU27303	BRACKET			(S/N 055169-) & HD300
3	24M7036	WASHER			(S/N 030089-) (3)
4	TCU27304	CAP, VALVE END (S/N -055168)	13	TCU27176	FITTING
5	TCU27301	CAP	14	TCA19695	VALVE (3)
6	AMT2249	PROCESS VALVE, MANUAL (ASSEMBLY BREAKDOWN SHOWN SEPARATELY)	15	TCU27305	O-RING
7	TCA19696	ELECTRICAL PROPORTIONAL VALVE - HD200 (S/N -055168) & HD300 (S/N -030088) (ASSEMBLY BREAKDOWN SHOWN SEPARATELY)	16	AMT2249	PROCESS VALVE, MANUAL
	TCA20665	ELECTRICAL PROPORTIONAL VALVE BOOM CONTROL - HD200 (S/N 055169-) & HD300 (S/N 030089-) (ASSEMBLY BREAKDOWN SHOWN SEPARATELY)	17	MT6385	HANDLE
8	TCU27302	CAP, VALVE BANK ADAPTER - HD200 (S/N -055168) & HD300 (S/N -030088)	18	AMT2247	SEAL KIT
	TCU29555	ADAPTER, VALVE BANK - HD200 (S/N 055169-) & HD300 (S/N 030089-)	19	MT4607	HOUSING, VALVE (SUB AMT2249)
9	14M7166	LOCK NUT	20	MT4608	CLIP
10	TCU51831	CLIP, OUTLET PORT - HD200 (S/N -055168) & HD300 (S/N -030088) (6)	21	AMT2250	KIT, VALVE PLUNGER REPAIR
	TCU51831	CLIP, OUTLET PORT - HD200 (S/N 055169-) & HD300 (S/N 030089-) (3)	22	19M9400	SCREW
11	TCU51832	PLUG (3)	23	24M7333	WASHER
12	TCU27178	CLIP, THROTTLE VALVE - HD200 (S/N -055168) & HD300 (S/N -030088) (4)	24	TCU27306	PLATE
			25	MT6386	FITTING
			26	TCA21506	VALVE
			27	TCA19697	ELECTRIC MOTOR
			28	MT4608	CLIP
			29	TCU27321	STEM
			30	TCA20857	FITTING, USE WITH TCA21506 (SUB FOR TCA19706)
			31	AMT2247	SEAL KIT
			32	PM42W7	NOZZLE SWIVEL (INCLUDES PM4DCVAE)
				PM4DCVAE	DIAPHRAGM, CHECK VALVE
			33	PM1125SS	CLAMP

# Lubrication / Maintenance (Application Chart)

Model	Description
<b>GREENSMOWERS</b>	
180/220 E-CUT HYBRID GREENSMOWER	*TURF-GARD *HY-GARD OIL *MULTI-PURPOSE SD POLYUREA GREASE *GOLF AND TURF CUTTING UNIT GREASE
180C/220C E-CUT HYBRID GREENSMOWER	*TURF-GARD *HY-GARD OIL *MULTI-PURPOSE SD POLYUREA GREASE *GOLF AND TURF CUTTING UNIT GREASE
180C/220C/260C GREENSMOWER	*TURF-GARD *HY-GARD OIL *MULTI-PURPOSE SD POLYUREA GREASE *GOLF AND TURF CUTTING UNIT GREASE
180SL/220SL/260SL GREENSMOWER	*TURF-GARD *HY-GARD OIL *MULTI-PURPOSE SD POLYUREA GREASE *GOLF AND TURF CUTTING UNIT GREASE
220E GREENSMOWER	*PLUS 4 *HY-GARD OIL *MULTI-PURPOSE SD POLYUREA GREASE
2500/2500A TRIPLEX GREENS MOWER	*TURF-GARD - GAS *PLUS 50 II - DIESEL *SPECIAL PURPOSE HD WATER RESISTANT GREASE *MULTI-PURPOSE HD LITHIUM GREASE *COTTON PICKER SPINDLE GREASE *SPECIAL PURPOSE HD CORNHEAD GREASE *HY-GARD OIL
2500B/2500E E-CUT HYBRID RIDING GREENS MOWER	*TURF-GARD - GAS *PLUS 50 II - DIESEL *SPECIAL PURPOSE HD WATER RESISTANT GREASE *MULTI-PURPOSE HD LITHIUM GREASE *COTTON PICKER SPINDLE GREASE *SPECIAL PURPOSE HD CORNHEAD GREASE *GOLF AND TURF CUTTING UNIT GREASE *HY-GARD OIL
<b>ROUGH, INTERMEDIATES AND SURROUNDS MOWERS</b>	
7200/7200A PRECISIONCUT™ TRIM AND SURROUNDS MOWER	*PLUS 50 II *GOLF AND TURF CUTTING UNIT GREASE *SPECIAL PURPOSE HD WATER RESISTANT GREASE *MULTI-PURPOSE HD LITHIUM GREASE *COTTON PICKER SPINDLE GREASE *SPECIAL PURPOSE HD CORNHEAD GREASE *HY-GARD OIL
7400A TERRAINCUT MOWER	*PLUS 50 II 15W40 *GOLF AND TURF CUTTING UNIT GREASE *MULTI-PURPOSE SD POLYUREA GREASE *HY-GARD OIL
8800A TERRAINCUT MOWER	*PLUS 50 II 15W40 *MULTI-PURPOSE SD POLYUREA GREASE *MOLY HIGH-TEMP EP GREASE *GOLF AND TURF CUTTING UNIT GREASE *MULTI-PURPOSE SD POLYUREA GREASE *HY-GARD OIL
8800 TERRAINCUT MOWER	*PLUS 50 II *GOLF AND TURF CUTTING UNIT GREASE *MULTI-PURPOSE SD POLYUREA GREASE *HY-GARD OIL

# Lubrication / Maintenance (Application Chart - Continued)

Model	Description
<b>ROUGH, INTERMEDIATES AND SURROUNDS MOWERS (CONTINUED)</b>	
2653B TRIM AND SURROUNDS MOWER	*PLUS 50 II *SPECIAL PURPOSE HD WATER RESISTANT GREASE *MULTI-PURPOSE HD LITHIUM GREASE *GOLF AND TURF CUTTING UNIT GREASE *MULTI-PURPOSE SD POLYUREA GREASE
1600 TURBO / 1600 TURBO SERIES II WIDE AREA MOWER	*PLUS 50 II *MULTI-PURPOSE SD POLYUREA GREASE *MULTI-PURPOSE HD LITHIUM GREASE *HY-GARD OIL *HY-GARD LOW VISCOSITY OIL - TURBO
<b>FAIRWAY MOWERS</b>	
7500A/7700A/8700A PrecisionCut™ MOWER	*PLUS 50 II 15W40 *MOLY HIGH-TEMP EP GREASE *GOLF AND TURF CUTTING UNIT GREASE *SPECIAL PURPOSE SD POLYUREA GREASE *HY-GARD OIL
7500/7700/8500/8700 PrecisionCut™ MOWER	*PLUS 50 II *GOLF AND TURF CUTTING UNIT GREASE *MULTI-PURPOSE SD POLYUREA GREASE
8000A E-CUT HYBRID FAIRWAY MOWER	*PLUS 50 II 15W40 *MOLY HIGH-TEMP EP GREASE *GOLF AND TURF CUTTING UNIT GREASE *SPECIAL PURPOSE SD POLYUREA GREASE *MULTI-PURPOSE SD POLYUREA GREASE *HY-GARD OIL
8000 E-CUT HYBRID FAIRWAY MOWER	*PLUS 50 II *MULTI-PURPOSE HD LITHIUM GREASE *SPECIAL PURPOSE HD CORNHEAD GREASE *SPECIAL PURPOSE HD WATER RESISTANT GREASE *COTTON PICKER SPINDLE GREASE *HY-GARD OIL
7500/8500 E-CUT HYBRID LIGHTWEIGHT FAIRWAY MOWER	*PLUS 50 II *HY-GARD OIL *GOLF AND TURF CUTTING UNIT GREASE *MULTI-PURPOSE SD POLYUREA GREASE
<b>AERATION AND DEBRIS MAINTENANCE</b>	
1200A BUNKER RAKE	*TURF-GARD *MULTI-PURPOSE HD LITHIUM GREASE *MULTI-PURPOSE SD POLYUREA GREASE *GL5 GEAR LUBRICANT 85W140
1200 HYDRO RAKE	*TURF-GARD *MULTI-PURPOSE HD LITHIUM GREASE *MULTI-PURPOSE SD POLYUREA GREASE
800 AERATOR	*PLUS 4 *MULTI-PURPOSE SD POLYUREA GREASE *MULTI-PURPOSE HD LITHIUM GREASE *MOLY HIGH-TEMP EP GREASE
1000/1500/2000 AERATORS	*MOLY HIGH-TEMP EP GREASE *HIGH TEMP EP GREASE *GREASE GARD *GL5 GEAR LUBRICANT 80W90
TC125	*MOLY HIGH-TEMP EP GREASE *HIGH TEMP EP GREASE

# Lubrication / Maintenance (Application Chart - Continued)

Model	Description
<b>COMPACT UTILITY TRACTORS</b>	
3203	*PLUS 50 II *MULTI-PURPOSE SD POLYUREA GREASE *MULTI-PURPOSE HD LITHIUM COMPLEX GREASE *HY-GARD LOW VISCOSITY OIL
3120/3320/3520/3720	*PLUS 50 II *MULTI-PURPOSE SD POLYUREA GREASE *MULTI-PURPOSE HD LITHIUM COMPLEX GREASE *HY-GARD LOW VISCOSITY OIL
3005	*PLUS 50 II *MULTI-PURPOSE SD POLYUREA GREASE *HY-GARD LOW VISCOSITY OIL *GL5 GEAR LUBRICANT
3033R/3039R/3046R	*PLUS 50 II *MULTI-PURPOSE SD POLYUREA GREASE *MULTI-PURPOSE HD LITHIUM COMPLEX GREASE *HY-GARD OIL
4005	*PLUS 50 II *MULTI-PURPOSE SD POLYUREA GREASE *HY-GARD LOW VISCOSITY OIL *GL5 GEAR LUBRICANT
4120/4320/4520/4720	*PLUS 50 II *MULTI-PURPOSE SD POLYUREA GREASE *MULTI-PURPOSE HD LITHIUM COMPLEX GREASE *HY-GARD LOW VISCOSITY OIL
4044M/4052M/4066M/4044R/4052R/4066R	*PLUS 50 II *MULTI-PURPOSE SD POLYUREA GREASE *MULTI-PURPOSE HD LITHIUM COMPLEX GREASE *HY-GARD OIL
<b>UTILITY TRACTORS</b>	
5045D, 5055D, 5045E, 5055E, 5065E, 5075E and 5075M	*PLUS 50 II *MULTI-PURPOSE SD POLYUREA GREASE *MULTI-PURPOSE HD LITHIUM COMPLEX GREASE *SPECIAL PURPOSE WATER RESISTANT GREASE *HY-GARD OIL
<b>UTILITY VEHICLES</b>	
GATOR TE	*MULTI-PURPOSE SD POLYUREA GREASE
GATOR TX TURF	*TURF GARD *MULTI-PURPOSE SD POLYUREA GREASE *MULTI-PURPOSE HD LITHIUM GREASE *HY-GARD OIL
PROGATOR 2020A/2030A	*TURF GARD - GAS *PLUS 50 - DIESEL *MULTI-PURPOSE SD POLYUREA GREASE *MULTI-PURPOSE HD LITHIUM GREASE *HY-GARD OIL
HD200/HD300	*MOLY HIGH-TEMP EP GREASE *HIGH TEMP EP GREASE *GREASE GARD OIL
<b>*SEE PART NUMBER LISTING ON THE FOLLOWING PAGES</b>	

# Lubrication / Maintenance (Part Number Listing)

Part No.	Description
<b>ENGINE OIL - USA ONLY</b>	
TY26674	PLUS 50 II SAE 15W40 (1 QT)
TY26673	PLUS 50 II SAE 15W40 (1 GAL)
TY26675	PLUS 50 II SAE 15W40 (2-1/2 GAL)
TY26679	PLUS 50 II SAE 15W40 (5 GAL)
TY26677	PLUS 50 II SAE 15W40 (30 GAL)
TY26678	PLUS 50 II SAE 15W40 (55 GAL)
TY26803	TORQ GARD SUPR. 5W30 (1 QT)
TY26804	TORQ GARD SUPR. 5W30 (5 GAL)
TY26805	TORQ GARD SUPR. 5W30 (55 GAL)
TY26790	TORQ GARD SUPR. SAE30 (1 QT)
TY26791	TORQ GARD SUPR. SAE30 (1 GAL)
TY22072	TORQ GARD SUPR. SAE30 (2-1/2 GAL)
TY26792	TORQ GARD SUPR. SAE30 (5 GAL)
TY26793	TORQ GARD SUPR. SAE30 (55 GAL)
TY26794	TORQ GARD SUPR. SAE10 (1 GAL)
TY26795	TORQ GARD SUPR. SAE10 (5 GAL)
TY26796	TORQ GARD SUPR. SAE10 (55 GAL)
TY26811	PLUS 4, 10W30 (1 QT)
TY22029	TURF GARD 10W30 (1 QT)
<b>ENGINE OIL - CANADA ONLY</b>	
TY26811	PLUS 4, 10W30 (1L)
TY6400	PLUS 4, 5W30 (1L)
TY26674	PLUS 50 II, 15W40 (1L)
TY6396	PLUS 50 II, 15W40 (1L)
TY22005	PLUS 50 II, 15W40 (20L)
TY26656	PLUS 50 II, 15W40 (205L)
TY26790	TORQ GARD SUPR. SAE30 (1L)
TY26791	TORQ GARD SUPR. SAE30 (4L)
TY6324	TORQ GARD SUPR. SAE30 (20L)
TY26803	TORQ GARD SUPR. SAE5W30 (1L)
TY26804	TORQ GARD SUPR. SAE5W30 (20L)
TY6369	TORQ GARD SUPR. SAE5W30 (205L)
<b>HYDRAULIC AND TRANSMISSION OIL - USA ONLY</b>	
TY6354	HY-GARD (1 GAL)
TY22062	HY-GARD (2-1/2 GAL)
AR69444	HY-GARD (5 GAL)
TY6238	HY-GARD (30 GAL)
AR69445	HY-GARD (55 GAL)
TY22035	HY-GARD LOW VISCOSITY (1 QT)
TY22000	HY-GARD LOW VISCOSITY (1 GAL)
TY6342	HY-GARD LOW VISCOSITY (5 GAL)
TY6344	HY-GARD LOW VISCOSITY (55 GAL)
<b>HYDRAULIC AND TRANSMISSION OIL - CANADA ONLY</b>	
TY6349	HYDR/TRANS, REGULAR GRADE (10L)
TY6283	HYDR/TRANS, REGULAR GRADE (20L)
TY6267	HYDR/TRANS, REGULAR GRADE (205L)
TY22038	HYDR/TRANS, LOW VISCOSITY (1L)
TY6284	HYDR/TRANS, LOW VISCOSITY (20L)
TY6274	HYDR/TRANS, LOW VISCOSITY (205L)

# Lubrication / Maintenance (Part Number Listing - Continued)

Part No.	Description
<b>GREASE/MULTI-LUBE</b>	
PT507	MULTI-PURPOSE LITHIUM GREASE(14 OZ) U.S. (TUBE)
PT575	MULTI-PURPOSE LITHIUM GREASE (35 LB) U.S. (DRUM)
TY6341	MULTI-PURPOSE SD POLYUREA GREASE (14 OZ) U.S. (TUBE)
TY24421	MULTI-PURPOSE SD POLYUREA GREASE (35 LB) U.S. (DRUM)
TY6341	MULTI-PURPOSE SD POLYUREA GREASE (397 G) CANADA (TUBE)
TY6333	SPECIAL PURPOSE HD MOLY GREASE (14 OZ) U.S. (TUBE)
TY22017	SPECIAL PURPOSE HD MOLY GREASE (35 LB) U.S. (DRUM)
AN11100	QUIK-LUBE SYS 1 GAL ( ) U.S. & CANADA
AN100650	MULTI-LUBER SYS 1 GAL ( ) U.S. & CANADA
TY26350	CHAIN AND CABLE LUBRICANT (15 OZ) U.S. ONLY
AN102562	SPECIAL PURPOSE CORNHEAD GREASE (14 OZ) U.S. (TUBE)
AH80490	SPECIAL PURPOSE CORNHEAD GREASE (35 LB) U.S. (DRUM)
AN113719	COTTON PICKER SPINDLE GREASE (35 LB) U.S. (DRUM)
TY25083	GOLF AND TURF CUTTING UNIT GREASE (14 OZ) U.S. (TUBE)
TY24416	MULTI-PURPOSE HD LITHIUM COMPLEX GREASE (14 OZ) U.S. (TUBE)
TY24417	MULTI-PURPOSE HD LITHIUM COMPLEX GREASE (35 LB) U.S. (DRUM)
TY24425	SPECIAL PURPOSE WATER RESISTANT GREASE (14 OZ) U.S. (TUBE)
TY24427	SPECIAL PURPOSE WATER RESISTANT GREASE (35 LB) U.S. (DRUM)
CXTY24425	SPECIAL PURPOSE WATER RESISTANT GREASE (397 G) CANADA (TUBE)

Clip Ratio at 1.0 mph										
Reel Speed	Number of Reel Blades								14	15
	5	6	7	8	9	10	11			
775	0.273	0.227	0.195	0.170	0.151	0.136	0.124	0.097	0.091	
800	0.264	0.220	0.189	0.165	0.147	0.132	0.120	0.094	0.088	
825	0.256	0.213	0.183	0.160	0.142	0.128	0.116	0.091	0.085	
850	0.248	0.207	0.177	0.155	0.138	0.124	0.113	0.089	0.083	
875	0.241	0.201	0.172	0.151	0.134	0.121	0.110	0.086	0.080	
900	0.235	0.196	0.168	0.147	0.130	0.117	0.107	0.084	0.078	
950	0.222	0.185	0.159	0.139	0.124	0.111	0.101	0.079	0.074	
1000	0.211	0.176	0.151	0.132	0.117	0.106	0.096	0.075	0.070	
1050	0.201	0.168	0.144	0.126	0.112	0.101	0.091	0.072	0.067	
1100	0.192	0.160	0.137	0.120	0.107	0.096	0.087	0.069	0.064	
1150	0.184	0.153	0.131	0.115	0.102	0.092	0.083	0.066	0.061	
1200	0.176	0.147	0.126	0.110	0.098	0.088	0.080	0.063	0.059	
1250	0.169	0.141	0.121	0.106	0.094	0.084	0.077	0.060	0.056	
1300	0.162	0.135	0.116	0.102	0.090	0.081	0.074	0.058	0.054	
1350	0.156	0.130	0.112	0.098	0.087	0.078	0.071	0.056	0.052	
1400	0.151	0.126	0.108	0.094	0.084	0.075	0.069	0.054	0.050	
1450	0.146	0.121	0.104	0.091	0.081	0.073	0.066	0.052	0.049	
1500	0.141	0.117	0.101	0.088	0.078	0.070	0.064	0.050	0.047	
1550	0.136	0.114	0.097	0.085	0.076	0.068	0.062	0.049	0.045	
1600	0.132	0.110	0.094	0.083	0.073	0.066	0.060	0.047	0.044	
1700	0.124	0.104	0.089	0.078	0.069	0.062	0.056	0.044	0.041	
1800	0.117	0.098	0.084	0.073	0.065	0.059	0.053	0.042	0.039	
1900	0.111	0.093	0.079	0.069	0.062	0.056	0.051	0.040	0.037	
1950	0.108	0.090	0.077	0.068	0.060	0.054	0.049	0.039	0.036	
2000	0.106	0.088	0.075	0.066	0.059	0.053	0.048	0.038	0.035	
2050	0.103	0.086	0.074	0.064	0.057	0.052	0.047	0.037	0.034	
2100	0.101	0.084	0.072	0.063	0.056	0.050	0.046	0.036	0.034	
2150	0.098	0.082	0.070	0.061	0.055	0.049	0.045	0.035	0.033	
2200	0.096	0.080	0.069	0.060	0.053	0.048	0.044	0.034	0.032	
2250	0.094	0.078	0.067	0.059	0.052	0.047	0.043	0.034	0.031	
2300	0.092	0.077	0.066	0.057	0.051	0.046	0.042	0.033	0.031	
2400	0.088	0.073	0.063	0.055	0.049	0.044	0.040	0.031	0.029	
2450	0.086	0.072	0.062	0.054	0.048	0.043	0.039	0.031	0.029	
2500	0.084	0.070	0.060	0.053	0.047	0.042	0.038	0.030	0.028	
2550	0.083	0.069	0.059	0.052	0.046	0.041	0.038	0.030	0.028	
2600	0.081	0.068	0.058	0.051	0.045	0.041	0.037	0.029	0.027	

# Reels

Clip Ratio per 1 KPH									
Reel Speed	Number of Reel Blades								
	5	6	7	8	9	10	11	14	15
775	4.30	3.58	3.07	2.69	2.39	2.15	1.96	1.54	1.43
800	4.17	3.47	2.98	2.60	2.31	2.08	1.89	1.49	1.39
825	4.04	3.37	2.89	2.53	2.24	2.02	1.84	1.44	1.35
850	3.92	3.27	2.80	2.45	2.18	1.96	1.78	1.40	1.31
875	3.81	3.17	2.72	2.38	2.12	1.90	1.73	1.36	1.27
900	3.70	3.09	2.65	2.31	2.06	1.85	1.68	1.32	1.23
950	3.51	2.92	2.51	2.19	1.95	1.75	1.59	1.25	1.17
1000	3.33	2.78	2.38	2.08	1.85	1.67	1.52	1.19	1.11
1050	3.17	2.65	2.27	1.98	1.76	1.59	1.44	1.13	1.06
1100	3.03	2.53	2.16	1.89	1.68	1.52	1.38	1.08	1.01
1150	2.90	2.42	2.07	1.81	1.61	1.45	1.32	1.04	0.97
1200	2.78	2.31	1.98	1.74	1.54	1.39	1.26	0.99	0.93
1250	2.67	2.22	1.90	1.67	1.48	1.33	1.21	0.95	0.89
1300	2.56	2.14	1.83	1.60	1.42	1.28	1.17	0.92	0.85
1350	2.47	2.06	1.76	1.54	1.37	1.23	1.12	0.88	0.82
1400	2.38	1.98	1.70	1.49	1.32	1.19	1.08	0.85	0.79
1450	2.30	1.92	1.64	1.44	1.28	1.15	1.04	0.82	0.77
1500	2.22	1.85	1.59	1.39	1.23	1.11	1.01	0.79	0.74
1550	2.15	1.79	1.54	1.34	1.19	1.08	0.98	0.77	0.72
1600	2.08	1.74	1.49	1.30	1.16	1.04	0.95	0.74	0.69
1700	1.96	1.63	1.40	1.23	1.09	0.98	0.89	0.70	0.65
1800	1.85	1.54	1.32	1.16	1.03	0.93	0.84	0.66	0.62
1900	1.75	1.46	1.25	1.10	0.97	0.88	0.80	0.63	0.58
1950	1.71	1.42	1.22	1.07	0.95	0.85	0.78	0.61	0.57
2000	1.67	1.39	1.19	1.04	0.93	0.83	0.76	0.60	0.56
2050	1.63	1.36	1.16	1.02	0.90	0.81	0.74	0.58	0.54
2100	1.59	1.32	1.13	0.99	0.88	0.79	0.72	0.57	0.53
2150	1.55	1.29	1.11	0.97	0.86	0.78	0.70	0.55	0.52
2200	1.52	1.26	1.08	0.95	0.84	0.76	0.69	0.54	0.51
2250	1.48	1.23	1.06	0.93	0.82	0.74	0.67	0.53	0.49
2300	1.45	1.21	1.04	0.91	0.81	0.72	0.66	0.52	0.48
2400	1.39	1.16	0.99	0.87	0.77	0.69	0.63	0.50	0.46
2450	1.36	1.13	0.97	0.85	0.76	0.68	0.62	0.49	0.45
2500	1.33	1.11	0.95	0.83	0.74	0.67	0.61	0.48	0.44
2550	1.31	1.09	0.93	0.82	0.73	0.65	0.59	0.47	0.44
2600	1.28	1.07	0.92	0.80	0.71	0.64	0.58	0.46	0.43

# Bedknives Compatibility Chart

PrecisionCut™ and E-Cut™							
	Description	Part Number	Standard On	Minimum HOC* in Millimeters	Minimum HOC* in Inches	Front Face Grind Angle	Top Grind Angle
220A/B/C/SL WGM 22" QA5	22" Standard	ET17533		3.2	0.126	15	6
	22" Tournament	ET17534	220SL	2.5	0.098	15	6
	22" Fairway, Low-Cut	ET17532	2500B 7-blade; 2500E 7-blade; 7500A & 7500 7-blade; 7500A & 7500 E-Cut 7-blade; 8500 7-blade; 8500 E-Cut 7-blade	4.8	0.189	15	6
	22" Fairway, Hi-Cut	ET17767		7.6	0.299	5	5.5
	22" Low-Cut	MT7351	2500B 11-blade; 2500E 11-blade; 220 E-Cut; 7500A & 7500 11-blade; 7500A & 7500 E-Cut 11-blade; 8500 11-blade; 8500 E-Cut 11-blade	2.0	0.079	15	6
	22" Hardened Less Aggressive Low-Cut	TCU36165		2.0	0.079	15	6.5
	3.0 mm w/ Hardened Insert	ET11066		3.2	0.126	15	6
	2.5 mm Tournament	MT4846		2.5	0.098	15	6
	180A/B/C/SL WGM 18" QA5	18" Low-Cut	MT7350	180SL; 8000A & 8000 E-Cut 11 Blade	2.0	0.079	15
18" Fairway	TCU25299	8000A & 8000 E-Cut 7-blade	4.8	0.189	15	6	
18" Hardened Less Aggressive Low-Cut	TCU36878		2.0	0.079	15	6.5	
18" Fairway Hi-Cut	TCU31422		7.6	0.299	15	5.5	
260B/C,SL WGM	26" Standard	MT6947	260B,C,SL	3.2	0.126	15	6
	26" Fairway	MT6946		4.8	0.189	15	6
	26" Tournament	TCU31428		2.5	0.098	15	6
(MY2012) 22" QA7	22" Standard	ET17751		12.0	0.472	5	5.5
	22" Tournament/ Low-Cut Fairway	MT1928		9.5	0.374	5	5.5
	22" Tournament/ Ultra Low-Cut	MT3983	All QA7- 8 and 10-blade	6.3	0.248	5	5.5
	22" Less Aggressive Hardened Insert	TCU32581		6.3	0.248	5	5.5
(MY2012) 26" QA7	26" Standard	ET17752		15.8	0.622	5	5.5
	26" Tournament	MT6949	2653B; 7200A & 7200	6.3	0.248	5	5.5
	26" Less Aggressive Hardened Insert	TCU34070		6.3	0.248	5	5.5
All 30" QA7	30" Standard	MT1973	2653B; 7200A & 7200	15.8	0.622	5	5.5
3325/3365	10 mm	MT1117		11.0	0.433		
	13 mm	MT1118		15.8	0.622		
	10 mm	ET16755		11.0	0.433		
	13 mm	ET16756		15.8	0.622		
303/305/365 Hydraulic Gang Mower	10 mm	ET16755		11.0	0.433		
	13 mm	ET16756		15.8	0.622		

\*Height of cut

# Precision Tine™ Series Reference Chart

## John Deere Precision Tine Options

Core Size in. (mm)	Description in. (mm)	Mount in. (mm)	Length in. (mm)	Wall Thickness in. (mm)	Inside Diameter in. (mm)	Outside Diameter in. (mm)	Type	Deere Part Number
(5 mm)	5 mm Needle "L" mounting	3/8 (9.5)	5.0 (127)	n/a	n/a	0.197 (5.00)	Standard	TCU15712
	5 mm Needle	3/8 (9.5)	6.0 (152.4)	n/a	n/a	0.197 (5.00)	Plus	TCU35368
(8 mm)	8 mm Needle "L" mounting	3/8 (9.5)	5.0 (127)	n/a	n/a	0.315 (8.00)	Standard	TCU15726
	8 mm Needle	3/8 (9.5)	6.0 (152.4)	n/a	n/a	0.315 (8.00)	Plus	TCU35370
1/4 (6.4)	1/4 (6.4) Solid Side Eject	3/8 (9.5)	4.5 (114.3)	0.052 (1.32)	0.265 (6.73)	0.366 (9.30)	Plus	TCU35246
				0.052 (1.32)	0.260 (6.60)	0.363 (9.22)	Ultra	TCU35247
			5.5 (139.7)	0.052 (1.32)	0.270 (6.86)	0.366 (9.30)	Plus	TCU35243
				0.052 (1.32)	0.260 (6.60)	0.363 (9.22)	Ultra	TCU35244
	1/4 (6.4) Solid	3/8 (9.5)	5.5 (139.7)	n/a	n/a	0.250 (6.35)	Plus	TCU35245
	1/4 (6.4) Hollow Top Eject	3/4 (19.1)	6.5 (165.1)	0.058 (1.47)	0.280 (7.11)	0.430 (10.92)	Standard	TCU35248*
				0.058 (1.47)	0.280 (7.11)	0.430 (10.92)	Plus	TCU35249*
	1/4 (6.4) Hollow Side Eject	3/4 (19.1)	6.5 (165.1)	0.058 (1.47)	0.270 (6.86)	0.430 (10.92)	Standard	TCU35251*
0.058 (1.47)				0.270 (6.86)	0.430 (10.92)	Plus	TCU35252*	
3/8 (9.5)	3/8 (9.5) Hollow Top Eject	3/4 (19.1)	6.0 (152.4)	0.058 (1.47)	0.324 (8.23)	0.471 (11.96)	Standard	TCU38355
				0.058 (1.47)	0.324 (8.23)	0.471 (11.96)	Plus	TCU38356
			6.5 (165.1)	0.058 (1.47)	0.323 (8.20)	0.463 (11.76)	Ultra	TCU35250*
	3/8 (9.5) Hollow Side Eject	3/4 (19.1)	6.0 (152.4)	0.058 (1.47)	0.324 (8.23)	0.471 (11.96)	Standard	TCU38357
				0.058 (1.47)	0.324 (8.23)	0.471 (11.96)	Plus	TCU38358
			6.5 (165.1)	0.058 (1.47)	0.323 (8.20)	0.463 (11.76)	Ultra	TCU35253*
	3/8 (9.5) Solid	3/8 (9.5)	5.5 (139.7)	n/a	n/a	0.375 (9.53)	Plus	TCU35254
	3/8 (9.5) Solid Side Eject	3/8 (9.5)	5.5 (139.7)	0.063 (1.60)	0.325 (8.26)	0.465 (11.81)	Plus	TCU35255
				0.063 (1.60)	0.323 (8.20)	0.463 (11.76)	Ultra	TCU35256
			6.5 (165.1)	0.063 (1.60)	0.323 (8.20)	0.463 (11.76)	Ultra	TCU35257*
1/2 (12.7)	1/2 (12.7) Hollow Top Eject	3/4 (19.1)	6.0 (152.4)	0.065 (1.65)	0.388 (9.86)	0.556 (14.12)	Standard	TCU38359
				0.065 (1.65)	0.388 (9.86)	0.556 (14.12)	Plus	TCU38360
			6.5 (165.1)	0.065 (1.65)	0.388 (9.86)	0.556 (14.12)	Standard	TCU35258*
				0.065 (1.65)	0.388 (9.86)	0.556 (14.12)	Plus	TCU35259*
				0.058 (1.47)	0.423 (10.74)	0.563 (14.30)	Ultra	TCU35260*
	1/2 (12.7) Hollow Side Eject	3/4 (19.1)	6.0 (152.4)	0.058 (1.47)	0.405 (10.29)	0.556 (14.12)	Standard	TCU38361
				0.058 (1.47)	0.405 (10.29)	0.556 (14.12)	Plus	TCU38362
			6.5 (165.1)	0.058 (1.47)	0.405 (10.29)	0.556 (14.12)	Standard	TCU35262*
				0.058 (1.47)	0.405 (10.29)	0.556 (14.12)	Plus	TCU35264*
				0.058 (1.47)	0.423 (10.74)	0.563 (14.30)	Ultra	TCU35265*
	1/2 (12.7) Cross	3/8 (9.5)	6.5 (165.1)	n/a	n/a	0.500 (12.70)	Plus	TCU35261*
	1/2 (12.7) Solid	3/4 (19.1)	5.5 (139.7)	n/a	n/a	0.500 (12.70)	Plus	TCU35266
	1/2 (12.7) Solid Side Eject	3/8 (9.5)	5.5 (139.7)	0.060 (1.52)	0.425 (10.80)	0.575 (14.61)	Plus	TCU35268
				0.063 (1.60)	0.423 (10.74)	0.563 (14.30)	Ultra	TCU35269
3/8 (9.5)		6.5 (165.1)	0.063 (1.60)	0.425 (10.80)	0.575 (14.61)	Plus	TCU35272*	
			0.063 (1.60)	0.423 (10.74)	0.563 (14.30)	Ultra	TCU35320*	
3/4 (19.1)		6.5 (165.1)	0.063 (1.60)	0.425 (10.80)	0.575 (14.61)	Plus	TCU35270*	
			0.063 (1.60)	0.423 (10.74)	0.563 (14.30)	Ultra	TCU35271*	



5 mm Needle Tine



1/4 (6.4 mm) Solid Side Eject Tine



3/8 (9.5 mm) Inch Hollow Top Eject



1/2 (12.7 mm) Hollow Top Eject Tine



1/2 (12.7 mm) Solid Side Eject Tine



# Precision Tine™ Series Reference Chart

## John Deere Precision Tine Options

Core Size in. (mm)	Description in. (mm)	Mount in. (mm)	Length in. (mm)	Wall Thickness in. (mm)	Inside Diameter in. (mm)	Outside Diameter in. (mm)	Type	Deere Part Number	
5/8 (15.9)	5/8 (15.9) Hollow Top Eject	3/4 (19.1)	5.0 (127)	0.058 (1.47)	0.504 (12.80)	0.645 (16.38)	Plus	TCU35326	
				0.058 (1.47)	0.502 (12.75)	0.643 (16.33)	Ultra	TCU35325	
			6.0 (152.4)	0.058 (1.47)	0.505 (12.83)	0.645 (16.38)	Standard	TCU38363	
				0.058 (1.47)	0.505 (12.83)	0.645 (16.38)	Plus	TCU38364	
			6.5 (165.1)	0.058 (1.47)	0.505 (12.83)	0.645 (16.38)	Standard	TCU35321*	
				0.058 (1.47)	0.505 (12.83)	0.645 (16.38)	Plus	TCU35322*	
	5/8 (15.9) Hollow Side Eject	3/4 (19.1)	5.5 (139.7)	0.058 (1.47)	0.505 (12.83)	0.645 (16.38)	Standard	TCU35332	
				0.058 (1.47)	0.505 (12.83)	0.645 (16.38)	Plus	TCU35331	
				0.058 (1.47)	0.504 (12.80)	0.644 (16.36)	Ultra	TCU35330	
			6.5 (165.1)	0.058 (1.47)	0.505 (12.83)	0.645 (16.38)	Standard	TCU35327*	
				0.058 (1.47)	0.505 (12.83)	0.645 (16.38)	Plus	TCU35328*	
				0.058 (1.47)	0.503 (12.78)	0.643 (16.33)	Ultra	TCU35329*	
	5/8 (15.9) Solid	3/4 (19.1)	5.5 (139.7)	n/a	n/a	0.625 (15.88)	Plus	TCU35324	
			6.0 (152.4)	n/a	n/a	0.625 (15.88)	Plus	TCU38365	
			7.0 (177.8)	n/a	n/a	0.625 (15.88)	Plus	TCU35333*,**	
	5/8 (15.9) Solid Side Eject (Machined)	3/8 (9.5)	6.5 (165.1)	0.062 (1.57)	0.502 (12.75)	0.650 (16.51)	Plus	TCU38519*	
				0.062 (1.57)	0.503 (12.78)	0.643 (16.33)	Ultra	TCU35336*	
		3/4 (19.1)	6.5 (165.1)	0.062 (1.57)	0.502 (12.75)	0.650 (16.51)	Plus	TCU38518*	
0.062 (1.57)				0.503 (12.78)	0.643 (16.33)	Ultra	TCU35334*		
0.120 (3.05)				0.460 (11.68)	0.700 (17.78)	Standard	TCU36248		
0.120 (3.05)				0.460 (11.68)	0.700 (17.78)	Plus	TCU36249		
3/4 (19.1)	3/4 (19.1) Fairway Side Eject (Rolled)	3/4 (19.1)	5.75 (146.1)	0.109 (2.77)	0.534 (13.56)	0.750 (19.05)	Plus	TCU35339	
				0.109 (2.77)	0.553 (14.04)	0.753 (19.13)	Ultra	TCU35340	
	3/4 (19.1) Cross	3/4 (19.1)	6.3 (160)	n/a	n/a	0.750 (19.05)	Plus	TCU35342*	
	3/4 (19.1) Flat	3/4 (19.1)	6.0 (152.4)	n/a	n/a	0.750 (19.05)	Plus	TCU38366	
	3/4 (19.1) Flat	3/4 (19.1)	7.0 (177.8)	n/a	n/a	0.750 (19.05)	Plus	TCU35343*,**	
	3/4 (19.1) Hollow Top Eject	7/8 (22.2)	6.0 (152.4)	0.058 (1.47)	0.609 (15.47)	0.750 (19.05)	Standard	TCU35341	
				0.095 (2.41)	0.508 (12.90)	0.740 (18.79)	Plus	TCU38367	
				0.058 (1.47)	0.553 (14.04)	0.753 (19.13)	Ultra	TCU38368	
			6.5 (165.1)	0.095 (2.41)	0.508 (12.90)	0.740 (18.80)	Plus	TCU35344*	
				0.058 (1.47)	0.535 (13.59)	0.753 (19.13)	Ultra	TCU35345*	
				0.058 (1.47)	0.609 (15.47)	0.750 (19.05)	Standard	TCU35346	
	3/4 (19.1) Hollow Side Eject	7/8 (22.2)	6.0 (152.4)	0.058 (1.47)	0.609 (15.47)	0.750 (19.05)	Plus	TCU35347	
				0.058 (1.47)	0.535 (13.59)	0.753 (19.13)	Ultra	TCU35348	
				0.120 (3.05)	0.510 (12.95)	0.800 (20.32)	Standard	TCU35364	
	13/16 (20.6)	13/16 Fairway Side Eject (Rolled)	3/4 (19.1)	5.75 (146.1)	0.120 (3.05)	0.510 (12.95)	0.800 (20.32)	Plus	TCU36252
					0.120 (3.05)	0.510 (12.95)	0.800 (20.32)	Plus	TCU36252
	7/8 (22.2)	7/8 (22.2) Fairway Side Eject (Machined)	3/4 (19.1)	6.0 (152.4)	0.123 (3.12)	0.630 (16.00)	0.876 (22.25)	Plus	TCU35354
			7/8 (22.2)	6.0 (152.4)	0.123 (3.12)	0.630 (16.00)	0.875 (22.23)	Plus	TCU35338
6.0 (152.4)				0.123 (3.12)	0.618 (15.70)	0.875 (22.23)	Ultra	TCU35358	
7/8 (22.2) Fairway Side Eject (Rolled)		7/8 (22.2)	5.75 (146.1)	0.120 (3.05)	0.585 (14.86)	0.800 (20.32)	Standard	TCU36250	
				0.120 (3.05)	0.585 (14.86)	0.800 (20.32)	Plus	TCU36251	



3/4" (19.1 mm)  
Fairway Side Eject Tine (Rolled)



3/4" (19.1 mm)  
Cross Tine



3/4" (19.1 mm)  
Flat Tine



3/4" (19.1 mm)  
Hollow Top Eject Tine

# Notes





# Parts OnSite™ Program



JOHN DEERE

Get the parts you need around the clock.

## Maximize uptime with the John Deere Parts OnSite program.

No matter how close your John Deere dealership is, your shop is a lot closer. That's why John Deere offers Parts OnSite – so you can stock parts at your place and get back to work sooner. Your local John Deere dealer is the key to keeping you rolling. We'll keep you stocked with the high-wear and maintenance parts you need for your business. After you use a part, just reorder and restock.

It's that simple.



Part number: PMBAR467224  
Dimensions: 46" x 24" x 72"  
Storage capacity: four shelves; 230 lbs.

[JohnDeere.com/PartsOnSite](http://JohnDeere.com/PartsOnSite)

# 24 | 7 | 365

## When it comes to parts, consider us part of your crew.

Get instant access to genuine John Deere parts backed by the best network of support in the industry. A combination of after-hours service, online support, and dealer dedication gives you fast access to the parts and service you need to avoid costly downtime. Just another way we're here to help when you need us.

[JDParts.JohnDeere.com](http://JDParts.JohnDeere.com)

This literature has been compiled for worldwide circulation. While general information, pictures and descriptions are provided, some illustrations and text may include finance, credit, insurance, product options and accessories NOT AVAILABLE in all regions. PLEASE CONTACT YOUR LOCAL DEALER FOR DETAILS. John Deere reserves the right to change specification, design and price of products described in this literature without notice. John Deere's green and yellow color scheme, the leaping deer symbol, and JOHN DEERE are trademarks of Deere & Company.

